

ACCURADO

TECHNICAL CATALOGUE

Company	1
Product Information	2-4
Windows Applications	
Tilt & Turn GV Gear Vertical Tilt	5
Tilt & Turn GV Gear Horizontal Tilt (Middle Lock)	6
Tilt & Turn GV Gear Horizontal Tilt (Corner Transmission)	7
Tilt & Turn GV Gear Horizontal Tilt (Middle Lock) for Aluminium Systems	8
Tilt & Turn GV Gear Horizontal Tilt (Corner Transmission) for Aluminium Systems	9
First Tilt GV Gear Vertical Tilt	10
First Tilt GV Gear Horizontal Tilt (Middle Lock)	11
First Tilt GV Gear Horizontal Tilt (Corner Transmission)	12
First Tilt GV Gear Horizontal Tilt (Middle Lock) for Aluminium Systems	13
First Tilt GV Gear Horizontal Tilt (Corner Transmission) for Aluminium Systems	14
Tilt & Turn GC Gear Vertical Tilt	15
Tilt & Turn GC Gear Horizontal Tilt	16
Tilt & Turn GC Gear Horizontal Tilt for Aluminium Systems	17
Double Sash GV Gear Vertical Tilt / Rebate Lever & Shoot Bolt	18-19
Double Sash GV Gear Vertical Tilt / Rebate Lever & DS Corner Transmission	20-21
Double Sash GV Gear Vertical Tilt / Shoot Bolt with Lever	22-23
Double Active Sash GV Gear Horizontal Tilt	24-25
Parallel Sliding Door - Manual	26
Parallel Sliding Door - Semi Automatic	27
Parallel Sliding Door with Upper Roller System	28
Tilt & Turn Product Details	
Tilt & Turn GV Gear Espagnolettes 15 mm Backset	29
Tilt & Turn GV Gear Espagnolettes 7,5 mm Backset	30
First Tilt GV Gear Espagnolettes 15 mm Backset	31
First Tilt GV Gear Espagnolettes 7,5 mm Backset	32
Tilt & Turn GV Gear Espagnolettes 30 and 40 mm Backset	33-34
Tilt & Turn GC Gear Espagnolettes 15 mm Backset	35
Corner Transmissions	36-44
Bottom Extensions	45
Stay Arms	46
First Tilt Stay Arms	47
Middle Locks	48
Extension Pieces	49
Extension Locks	50
Semi Auto Horizontal Center Gears	51
Horizontal Center Gears	52
Vertical Center Gears	53
Double Sash Rebate Levers	54
Shoot Bolts	55-56

Stay Arm Bearings	57
Corner Bearings	58
Drill-in Corner Hinge & Adjustable Bottom Hinge	59
Stay Arm Hinge & Adjustable Top Hinge	60
Adjustable Middle Hinge	61
Hinge Cover Sets	62
Fixing Plate	63
Wrong Operation Safety & Lifting Device	64
Locking Plates	65
Assembly & Adjustment	
Assembly	66-68
Drilling Jigs	69
Adjustment	70-71
Maintenance	72
Side Hung, Sliding & Door Lock Espagnolettes	
Side Hung GV Gear Steel Gearbox Espagnolettes 15 mm Backset	73
Side Hung GV Gear Zinc Gearbox Espagnolettes 15 mm Backset	74
Side Hung GV Gear Zinc Gearbox Espagnolettes 7,5 mm Backset	75
Side Hung GV Gear Zinc Gearbox Espagnolettes 15 mm Backset with Linked Stay Arm Connection	76
Side Hung GV Gear Zinc Gearbox Espagnolettes 22 mm Backset	77
Side Hung GV Gear Zinc Gearbox Espagnolettes 30 mm Backset	78
Side Hung GV Gear Zinc Gearbox Espagnolettes 40 mm Backset	79
Sliding GV Gear Steel Gearbox Espagnolettes 15 mm Backset	80
Sliding GV Gear Zinc Gearbox Espagnolettes 15 mm Backset	81
Sliding GV Gear Zinc Gearbox Espagnolettes 7,5 mm Backset	82
Sliding GV Gear Zinc Gearbox Espagnolettes 22 mm Backset	83
Door Lock Espagnolettes	84-88
Side Hung, Sliding & Door Lock Accessories	
Door Lock for Pvc Doors	89
Cylinder Lock 90 mm	90
Adjustable Door Locking Plates	91
3D Adjustable Door Hinges	92-94
Zinc Body Hinges	95
Steel Body Hinges	96
Sliding Windows Accessories	97
Handles	
Window Handles	98
Door Handles	99
Tilt Stay Arms	100
Common Use Accessories	101

ACCADO which has a covered area of 15.000 square meters in Antalya Organized Industrial Zone produces the best solutions for PVC, Aluminum and Wooden Door & Window accessories.

ACCADO, which is among the leading companies in Turkish Market, represent Turkey successfully in global markets by exporting 65% of its production to 55 countries.

ACCADO has 5 billion Tilt & Turn System capacity per year, and in order to produce solutions foreseeing customers' expectations and introduce several innovative products to the market it continues to work full speed in R&D, innovation, designing and investment. ACCADO is the first accessory company in Turkey which has obtained the certificate of CE.

Furthermore, ACCADO, which develops its projects in line with products' quality, value on customers' expectations and the excitement of always first to invent in the sector, also has system and product certificates received from international institutions.

ACCADO believes that sustainable development is only possible to invest on the human being and to use natural sources with consciously and it has conducted Corporate Social Responsibility projects since 2009 which contribute today and the future.

ACCADO which believes that the success is only possible with the embracement of the whole institution, and acts with team spirit, embodies the technological power of life facilitating solutions' design, production and presentation with the dynamism and progressive development of the staff.

ACCADO established a large-scale integrated factory in order to become the "**leader**" of manufacturing and sale of window and door fittings and accessories and continues manufacturing with its zinc-aluminium die-cast, sheet metal punching and bending (machines between 20 tons - 300 tons), plastic injection, electrostatic powder coating, wet painting and galvanic zinc coating departments.

Vision

"**High Quality**" - this is the first association that should arise from consumers at the mention of our brand.

ACCADO as the brand with its "High Quality" is going to settle on the world market as an immortal brand.

Mission

Providing high quality products and services equally to domestic and foreign consumers. Mentioned accessories ACCADO worldwide should be associated with high-tech products and professional service.

Quality Policy

ACCADO, which produce accessories for PVC windows and doors, create a new policy of quality management.

The principles of this policy:

With the joint participation of all our employees,

In collaboration with our customers,

Efficient use of resources

Compliance with national and international standards, without prejudice to our products and with high quality services

Conscious of continuous improvement and development,

Provide a high level of customer satisfaction.

Our company continues to develop its business and expanding our product range in the following directions;

- Aluminum Handle Groups
- Zink Connection Elements
- Tilt and Turn System
- Side Hung Gears and Door Lock Espagnolettes
- Sliding Runners, Steel Fasteners, Plastic Products.

ACCADO doesn't do any difference between domestic and foreign market, provides high quality products and services on the way to world fame "produces accessories for windows and doors."

General Information

1. Product Information and Specified Application

According to this definition, side hung and tilt-turn hardware are one hand-operated window and door hardware which are used in building constructions. By turning one handle, it enables window and balcony door sashes to open into side hung position or into a limited ventilation position due to a scissors mechanism (sash-stay).

Side hung and tilt-turn hardware is used on vertically installed windows and balcony doors made of timber, pvc, aluminum or steel and their corresponding material combinations. Conventional side hung and tilt-turn hardware, as covered by this definition, locks window and balcony door sashes and enables various ventilating positions. When closing, the gasket counter force must be overcome as a rule. Differing applications do not correspond to its specified application.

Burglar-resistant windows and balcony doors, windows and balcony doors for damp rooms and those for use in environments with aggressive, corrosive air content, require hardware adapted for the respective application and individually agreed upon performance features.

2. Misuse

- When obstacles are inserted in the opening vicinity between frame and sash, thus preventing its proper specified use.
- When window and balcony door sashes are pressed adversatively or uncontrolled (for example by the wind) up against the window reveals, so that the hardware, the frame material or other individual window or balcony door sash components are damaged or destroyed and/or if consequential damage can arise.
- When additional loads put on windows or balcony door sashes (for example if children swing on the window or balcony door sash).
- When while closing the window and balcony door sashes, someone reaches into the rebate between the sash and frame (injury hazard).

3. Liability

The respective entire hardware set may only consist of hardware components from ACCADO. In the case of inappropriately assembled hardware, and/or in case of non-original accessory components and/or non factory-approved components, no liability is accepted.

4. Product Information

The main goal of the products which are produced for all sorts of PVC and timber windows, is to offer the customer the required comfort. Therefore in the product range, there are alternatives suitable to the customer's demands and window types.

The security levels of the products, which are produced on the basis of basic security systems, can be easily changed. In some cases the change of the locking plate is sufficient to alter the security level. In other instances, the level of security is increased by changing the products. For security reasons, it is beneficial that the windows and balcony doors are produced according to specifications.

For preventing the sash from closing because of wind power when in tilt position, a snapper is mounted on the products. The wrong operation safety device or the sash positioner, which prevent the sash from being wrongly operated, can also be mounted to the product. Furthermore the resistance capacity is enhanced and the products have been developed so that the mechanisms work smoothly.

All mechanisms used at windows and balcony doors are produced in silver colour.

5. Product Performance

The ACCADO hardware can be used on all sashes up to 100 kg, as a standard. When sash weight exceeds 100 kg it is advised that ACCADO is consulted and additional hardware is supplied.

The presentation of the application diagrams on page 2.3 show the relationship between the permissible sash rebate widths and sash rebate heights, depending on various glass weights and/or thicknesses.

The resulting sash rebate dimensions or sash formats (vertically or horizontally) - as well as the maximum sash weight- must not be exceeded under any circumstances.

6. Maintenance

Security relevant hardware components are to be examined at least once a year for stability and wear and tear. Depending on the requirements, the fixing screws are to be tightened and/or parts to be replaced. In addition to this, the following maintenance work is to be carried out annually:

- All movable parts and locking points of the side hung and tilt-turn hardware have to be controlled and greased.
- Only cleaning and maintenance agents, which do not damage the corrosion protection of the hardware components, are to be used.

The hardware adjustments -particularly in the vicinity of the corner pivot rest and the scissors - as well as replacing parts and the unhinging and hinging of the active sash are to be carried out by a specialist company.

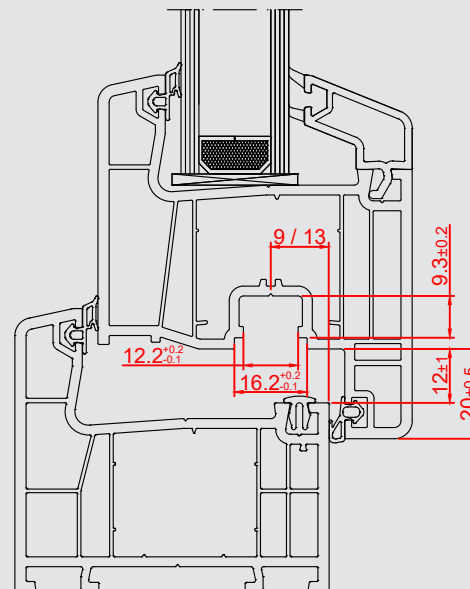
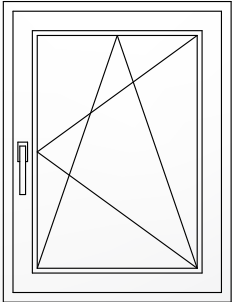
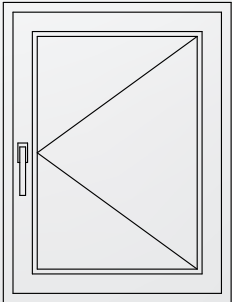
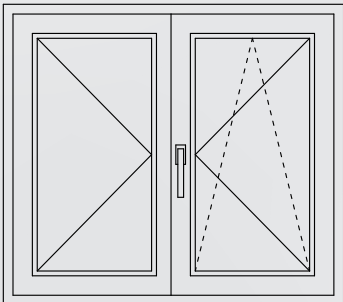
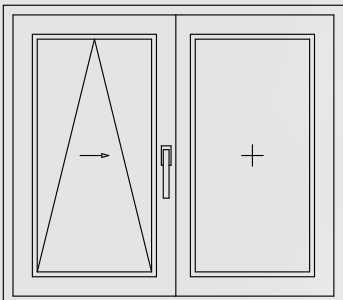


Fig. 1

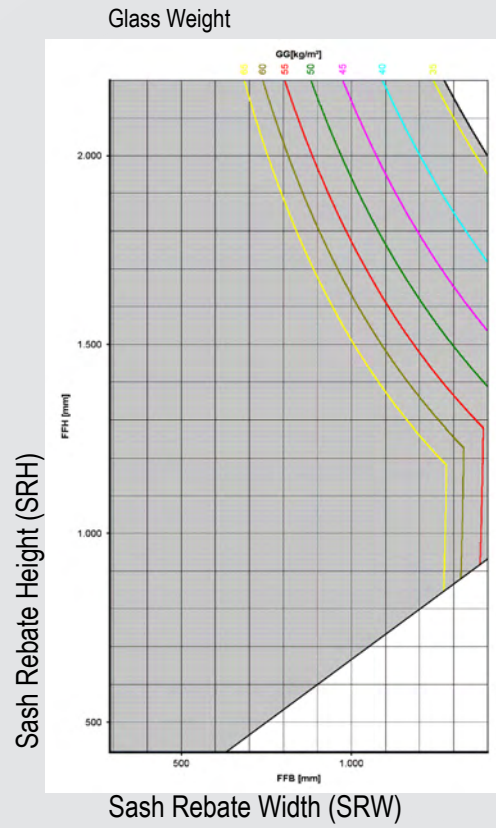
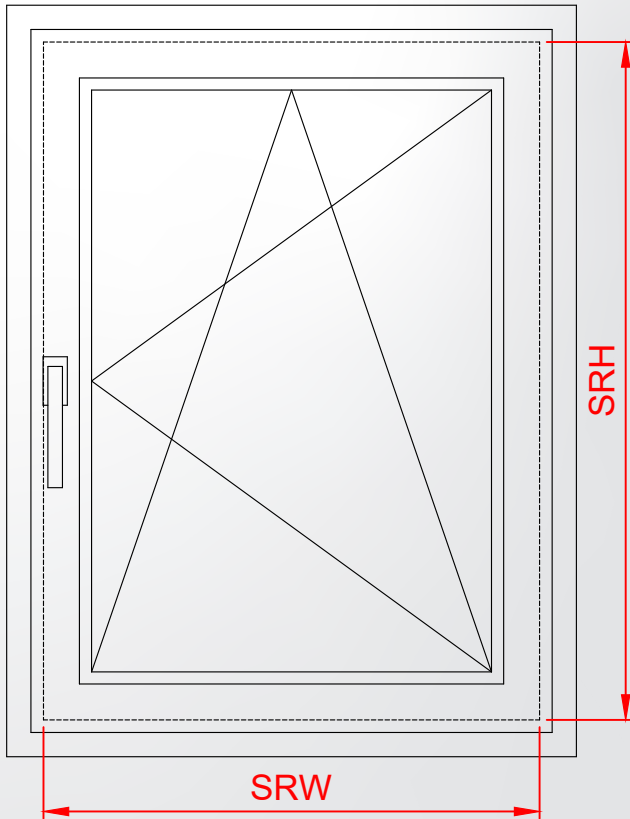
Abbreviations

G	Gear position	PU	Packaging Unit
GC	Gear Constant	SRH	Sash Rebate Height
GV	Gear Variable	SRW	Sash Rebate Width
LP	Locking Pin		
LPP	Locking Pin Plate		

Product Programme

	Function	Hardware	SRW	SRH	Max. Sash Weight
	Tilt - Turn	ACCADO GV	300-1650	440-2200	130
		ACCADO GC	300-1650	440-2350	130
	Side Hung	ACCADO GV	300-1650	440-2200	130
		ACCADO GC	300-1650	440-2350	130
	Double Sash	ACCADO GV	300-1650	440-2200	130
		ACCADO GC	300-1650	440-2350	130
	Parallel Slide & Tilt	ACCADO GV	300-1650	440-2200	130

Application



Application Schemes

SRH \ SRW	300 - 700	700 - 1150	1150 - 1650
440 - 700			
700 - 1450*			
1450 - 2200			
2200 - 2350			

* For SRH 700-1200, 550 Vertical Middle Lock is used.
 For SRH 1200-1450, 750 Vertical Middle Lock is used.



Tilt & Turn - GV Horizontal Tilt (Middle Lock)



Corner Transmission
**

Description	LP	PU	Article Nr.
Corner Transmission	1	100	10274.0000.0.2
Extension Piece, 180°	1	100	10040.0000.0.2

Stay Arm	SRW	Length	LP	PU	Article Nr.	Article Nr. - Se
*** 300 - 400		350	-	10	10008.0350.0.2	
		370 - 480	-	10	10008.0350.0.2	
		400 - 650	-	10	10008.0520.0.2	
		450 - 700	-	10	10008.0570.0.2	
		700 - 950	1	10	10008.0820.0.2	10054.0820.0.2
		950 - 1150	1	10	10008.1020.0.2	10054.1020.0.2
		1150 - 1400	1	10	10008.1270.0.2	10054.1270.0.2
		1400 - 1650	1	10	10008.1520.0.2	10054.1520.0.2

Gear	SRH	Length	LP	PU	Article Nr. F15	Article Nr. - Se	
	440 - 530	270	210 - 265	-	10	10001.0270.0.2	
	530 - 700	440	265 - 350	-	10	10001.0440.0.2	
	700 - 1200	940	350 - 600	1	10	10001.0940.0.2	10052.0940.0.2
	950 - 1450	1190	475 - 725	1	10	10001.1190.0.2	10052.1190.0.2
	1200 - 1700	1440	600 - 850	2	10	10001.1440.0.2	10052.1440.0.2
	1700 - 2200	1940	850 - 1100	2	10	10001.1940.0.2	10052.1940.0.2

Middle Lock (Ver.)	SRH	Length	LP	PU	Article Nr.	Article Nr. - Se
	700 - 1200	550	2	10	10009.0550.0.2	10055.0550.0.2
	1200 - 1450	750	2	10	10009.0750.0.2	10055.0750.0.2
	1450 - 1700	1100	3	10	10009.1100.0.2	10055.1100.0.2
	1700 - 2000	1450	3	10	10009.1450.0.2	10055.1450.0.2
	2000 - 2350	1800	4	10	10009.1800.0.2	10055.1800.0.2

Middle Lock (Hor.)	SRW	Length	LP	PU	Article Nr.
	400 - 700	240	1	10	10055.0240.0.2
	700 - 1100	550	2	10	10055.0550.0.2
	1100 - 1300	750	2	10	10055.0750.0.2
	1300 - 1650	1100	3	10	10055.1100.0.2

Stay Arm Hinge 9 mm	100	10014.0009.0.2
Stay Arm Hinge 13 mm	100	10014.0013.0.2
Stay Arm Bearing	100	10013.0000.0.2
Drill-in Corner Hinge	100	10016.0000.0.2
Corner Bearing	100	10015.0000.0.2
Tilt & Turn Cover Set	100	10300.0000.0.****
Locking Plate	100	acc. to profile
Locking Plate - Se	100	acc. to profile
Bottom Tilt Locking Plate	100	acc. to profile

SRH / SRW	280 - 700	700 - 1300	1300 - 1400	1400 - 1650
420 - 700	2	4	5	6
700 - 1300	5	7	8	9
1300 - 1450	5	8	9	10
1450 - 2000	6	8	9	10
2000 - 2200	8	9	10	11

* 7,5 mm, 15 mm, 30 mm, 40 mm backset options can be selected.
 ** Micro ventilation function requires a special part. (10277.0000.0.2)
 *** SRW 300-400 is possible with Corner Transmission Short (10275.0000.0.2).
 **** 1B=White ; 2S=Silver Colour ; 3C=Champagne ; 5A=Bronze Colour ; 6F=Light Brown ; 6H=Brown ; 6J=Dark Brown ; 9F=Anthracite Grey ; 7B=Black

Bottom Tilt Locking Plate

Middle Lock (Hor.)

Locking Plate Se

Drill-in Corner Hinge

Corner Bearing

Bottom Hinge Cover Set



Description		LP	PU	Article Nr.
Corner Transmission		1	100	10274.0000.0.2
Corner Transmission - Se		1	100	10004.0000.0.2

Stay Arm	SRW	Length	LP	PU	Article Nr.	Article Nr. - Se
*** 300 - 400	300 - 400	350	-	10	10008.0350.0.2	
	370 - 480	350	-	10	10008.0350.0.2	
	400 - 650	520	-	10	10008.0520.0.2	
	450 - 700	570	-	10	10008.0570.0.2	
	700 - 950	820	1	10	10008.0820.0.2	10054.0820.0.2
	950 - 1150	1020	1	10	10008.1020.0.2	10054.1020.0.2
1150 - 1400	1150 - 1400	1270	1	10	10008.1270.0.2	10054.1270.0.2
	1400 - 1650	1520	1	10	10008.1520.0.2	10054.1520.0.2

Gear	SRH	Length	LP	PU	Article Nr. F15	Article Nr. - Se
440 - 530	440 - 530	270	210 - 265	-	10	10001.0270.0.2
	530 - 700	440	265 - 350	-	10	10001.0440.0.2
700 - 1200	940	350 - 600	1	10	10001.0940.0.2	10052.0940.0.2
950 - 1450	1190	475 - 725	1	10	10001.1190.0.2	10052.1190.0.2
1200 - 1700	1440	600 - 850	2	10	10001.1440.0.2	10052.1440.0.2
1700 - 2200	1940	850 - 1100	2	10	10001.1940.0.2	10052.1940.0.2

Middle Lock (Ver.)	SRH	Length	LP	PU	Article Nr.	Article Nr. - Se
700 - 1200	700 - 1200	550	2	10	10009.0550.0.2	10055.0550.0.2
	1200 - 1450	750	2	10	10009.0750.0.2	10055.0750.0.2
1450 - 1700	1100		3	10	10009.1100.0.2	10055.1100.0.2
1700 - 2000	1450		3	10	10009.1450.0.2	10055.1450.0.2
2000 - 2350	1800		4	10	10009.1800.0.2	10055.1800.0.2

Extension Lock	SRW	Length	LP	PU	Article Nr.	Article Nr. - Se
720 - 1450	720 - 1450	710	1	10	10057.0710.0.2	10059.0710.0.2

Stay Arm Hinge 9 mm				100	10014.0009.0.2
Stay Arm Hinge 13 mm				100	10014.0013.0.2
Stay Arm Bearing				100	10013.0000.0.2
Drill-in Corner Hinge				100	10016.0000.0.2
Corner Bearing				100	10015.0000.0.2
Tilt & Turn Cover Set				100	10300.0000.0.****
Locking Plate				100	acc. to profile
Locking Plate - Se				100	acc. to profile
Bottom Tilt Locking Plate				100	acc. to profile

SRH / SRW	280 - 700	700 - 1300	1300 - 1400	1400 - 1650
420 - 700	2	4	5	6
700 - 1300	5	7	8	9
1300 - 1450	5	8	9	10
1450 - 2000	6	8	9	10
2000 - 2200	8	9	10	11

* 7,5 mm, 15 mm, 30 mm, 40 mm backset options can be selected.
 ** Micro ventilation function requires a special part. (10277.0000.0.2)
 *** SRW 300-400 is possible with Corner Transmission Short (10275.0000.0.2).
 **** 1B=White ; 2S=Silver Colour ; 3C=Champagne ; 5A=Bronze Colour ; 6F=Light Brown ; 6H=Brown ; 6J=Dark Brown ; 9F=Anthracite Grey ; 7B=Black



Tilt & Turn - GV Horizontal Tilt (Middle Lock) For Aluminium Systems

ACCADO

Locking Plate for Alu.

Stay Arm Hinge

Stay Arm Bearing

Corner Transmission

Stay Arm

Locking Plate for Alu.

Top Hinge Cover Set

Locking Plate for Alu.

Middle Lock (Ver.)

Locking Plate for Alu.

* GV Gear

Middle Lock (Hor.)

Locking Plate for Alu.

Adjustable Bottom Hinge Cover Set

Adjustable Bottom Hinge

Corner Bearing

Bottom Tilt Locking Plate

Locking Plate Se

Description	LP	PU	Article Nr.				
Corner Transmission	1	100	10274.0000.0.2				
Extension Piece, 180°	1	100	10040.0000.0.2				
Stay Arm	SRW	Length	LP	PU	Article Nr.	Article Nr. - Se	
	** 300 - 400	350	-	10	10008.0350.0.2		
	370 - 480	350	-	10	10008.0350.0.2		
	400 - 650	520	-	10	10008.0520.0.2		
	450 - 700	570	-	10	10008.0570.0.2		
	700 - 950	820	1	10	10008.0820.0.2	10054.0820.0.2	
	950 - 1150	1020	1	10	10008.1020.0.2	10054.1020.0.2	
	1150 - 1400	1270	1	10	10008.1270.0.2	10054.1270.0.2	
	1400 - 1650	1520	1	10	10008.1520.0.2	10054.1520.0.2	
Gear	SRH	Length	LP	PU	Article Nr. F15	Article Nr. - Se	
	440 - 530	270	210 - 265	-	10	10001.0270.0.2	
	530 - 700	440	265 - 350	-	10	10001.0440.0.2	
	700 - 1200	940	350 - 600	1	10	10001.0940.0.2	10052.0940.0.2
	950 - 1450	1190	475 - 725	1	10	10001.1190.0.2	10052.1190.0.2
	1200 - 1700	1440	600 - 850	2	10	10001.1440.0.2	10052.1440.0.2
	1700 - 2200	1940	850 - 1100	2	10	10001.1940.0.2	10052.1940.0.2
Middle Lock (Ver.)	SRH	Length	LP	PU	Article Nr.	Article Nr. - Se	
	700 - 1200	550	2	10	10009.0550.0.2	10055.0550.0.2	
	1200 - 1450	750	2	10	10009.0750.0.2	10055.0750.0.2	
	1450 - 1700	1100	3	10	10009.1100.0.2	10055.1100.0.2	
	1700 - 2000	1450	3	10	10009.1450.0.2	10055.1450.0.2	
	2000 - 2350	1800	4	10	10009.1800.0.2	10055.1800.0.2	
Middle Lock (Hor.)	SRW	Length	LP	PU	Article Nr.		
	400 - 700	240	1	10	10055.0240.0.2		
	700 - 1100	550	2	10	10055.0550.0.2		
	1100 - 1300	750	2	10	10055.0750.0.2		
	1300 - 1650	1100	3	10	10055.1100.0.2		
Stay Arm Hinge 9 mm				100	10014.0009.0.2		
Stay Arm Hinge 13 mm				100	10014.0013.0.2		
Stay Arm Bearing				100	10013.0000.0.2		
Adjustable Bottom Hinge, 9 mm, Left				100	10023.0009.L.2		
Adjustable Bottom Hinge, 9 mm, Right				100	10023.0009.R.2		
Adjustable Bottom Hinge, 13 mm, Left				100	10023.0013.L.2		
Adjustable Bottom Hinge, 13 mm, Right				100	10023.0013.R.2		
Corner Bearing				100	10015.0000.0.2		
Top Hinge Cover Set				100	10042.0000.0.***		
Adjustable Bottom Hinge Cover Set, Left				100	10045.0000.L.***		
Adjustable Bottom Hinge Cover Set, Right				100	10045.0000.R.***		
Locking Plate for Aluminium Systems 9 mm				100	21547.0009.0.2		
Locking Plate for Aluminium Systems 13 mm				100	21547.0013.0.2		
Locking Plate - Se				100	acc. to profile		
Bottom Tilt Locking Plate				100	acc. to profile		
	SRH / SRW	280 - 700	700 - 1300	1300 - 1400	1400 - 1650		
	420 - 700	2	4	5	6		
	700 - 1300	5	7	8	9		
	1300 - 1450	5	8	9	10		
	1450 - 2000	6	8	9	10		
	2000 - 2200	8	9	10	11		

* 7,5 mm, 15 mm, 30 mm, 40 mm backset options can be selected.

** SRW 300-400 is possible with Corner Transmission Short (10275.0000.0.2).

*** 1B=White ; 2S=Silver Colour ; 3C=Champagne ; 5A=Bronze Colour ; 6F=Light Brown ; 6H=Brown ; 6J=Dark Brown ; 9F=Anthracite Grey ; 7B=Black



Tilt & Turn - GV Horizontal Tilt (Corner Transmission) For Aluminium Systems

ACCADO

Description	LP	PU	Article Nr.	
Corner Transmission	1	100	10274.0000.0.2	
Corner Transmission - Se	1	100	10004.0000.0.2	
Stay Arm				
** SRW Length	LP	PU	Article Nr.	
300 - 400 350	-	10	10008.0350.0.2	
370 - 480 350	-	10	10008.0350.0.2	
400 - 650 520	-	10	10008.0520.0.2	
450 - 700 570	-	10	10008.0570.0.2	
700 - 950 820	1	10	10008.0820.0.2	10054.0820.0.2
950 - 1150 1020	1	10	10008.1020.0.2	10054.1020.0.2
1150 - 1400 1270	1	10	10008.1270.0.2	10054.1270.0.2
1400 - 1650 1520	1	10	10008.1520.0.2	10054.1520.0.2
Gear				
SRH Length	LP	PU	Article Nr. F15	
440 - 530 270 210 - 265	-	10	10001.0270.0.2	
530 - 700 440 265 - 350	-	10	10001.0440.0.2	
700 - 1200 940 350 - 600	1	10	10001.0940.0.2	10052.0940.0.2
950 - 1450 1190 475 - 725	1	10	10001.1190.0.2	10052.1190.0.2
1200 - 1700 1440 600 - 850	2	10	10001.1440.0.2	10052.1440.0.2
1700 - 2200 1940 850 - 1100	2	10	10001.1940.0.2	10052.1940.0.2
Middle Lock (Ver.)				
SRH Length	LP	PU	Article Nr.	
700 - 1200 550	2	10	10009.0550.0.2	10055.0550.0.2
1200 - 1450 750	2	10	10009.0750.0.2	10055.0750.0.2
1450 - 1700 1100	3	10	10009.1100.0.2	10055.1100.0.2
1700 - 2000 1450	3	10	10009.1450.0.2	10055.1450.0.2
2000 - 2350 1800	4	10	10009.1800.0.2	10055.1800.0.2
Extension Lock				
SRW Length	LP	PU	Article Nr.	
720- 1450 710	1	10	10057.0710.0.2	10059.0710.0.2
Stay Arm Hinge 9 mm		100	10014.0009.0.2	
Stay Arm Hinge 13 mm		100	10014.0013.0.2	
Stay Arm Bearing		100	10013.0000.0.2	
Adjustable Bottom Hinge, 9 mm, Left		100	10023.0009.L.2	
Adjustable Bottom Hinge, 9 mm, Right		100	10023.0009.R.2	
Adjustable Bottom Hinge, 13 mm, Left		100	10023.0013.L.2	
Adjustable Bottom Hinge, 13 mm, Right		100	10023.0013.R.2	
Corner Bearing		100	10015.0000.0.2	
Top Hinge Cover Set		100	10042.0000.0.***	
Adjustable Bottom Hinge Cover Set, Left		100	10045.0000.L.***	
Adjustable Bottom Hinge Cover Set, Right		100	10045.0000.R.***	
Locking Plate for Aluminium Systems 9 mm		100	21547.0009.0.2	
Locking Plate for Aluminium Systems 13 mm		100	21547.0013.0.2	
Locking Plate - Se		100	acc. to profile	
Bottom Tilt Locking Plate		100	acc. to profile	

SRH / SRW	280 - 700	700 - 1300	1300 - 1400	1400 - 1650
420 - 700	2	4	5	6
700 - 1300	5	7	8	9
1300 - 1450	5	8	9	10
1450 - 2000	6	8	9	10
2000 - 2200	8	9	10	11

* 7,5 mm, 15 mm, 30 mm, 40 mm backset options can be selected.
 ** SRW 300-400 is possible with Corner Transmission Short (10275.0000.0.2).
 *** 1B=White ; 2S=Silver Colour ; 3C=Champagne ; 5A=Bronze Colour ; 6F=Light Brown ; 6H=Brown ; 6J=Dark Brown ; 9F=Anthracite Grey ; 7B=Black



Description	LP	PU	Article Nr.				
Corner Transmission	1	100	10274.0000.0.2				
First Tilt Bottom Extension	1	100	10475.0000.0.2				
First Tilt Stay Arm	SRW	Length	LP	PU	Article Nr.	Article Nr. - Se	
	400 - 650	520	-	10	10365.0520.0.2		
	450 - 700	570	-	10	10365.0570.0.2		
	700 - 950	820	1	10	10365.0820.0.2	10440.0820.0.2	
	950 - 1150	1020	1	10	10365.1020.0.2	10440.1020.0.2	
	1150 - 1400	1270	1	10	10365.1270.0.2	10440.1270.0.2	
	1400 - 1650	1520	1	10	10365.1520.0.2	10440.1520.0.2	
First Tilt Gear	SRH	Length	LP	PU	Article Nr.	Article Nr. - Se	
	700 - 1200	940	350 - 600	1	10	10515.0940.0.2	10516.0940.0.2
	950 - 1450	1190	475 - 725	1	10	10515.1190.0.2	10516.1190.0.2
	1200 - 1700	1440	600 - 850	2	10	10515.1440.0.2	10516.1440.0.2
	1700 - 2200	1940	850 - 1100	2	10	10515.1940.0.2	10516.1940.0.2
Middle Lock (Ver.)	SRH	Length	LP	PU	Article Nr.	Article Nr. - Se	
	700 - 1200	550		2	10	10009.0550.0.2	10055.0550.0.2
	1200 - 1450	750		2	10	10009.0750.0.2	10055.0750.0.2
	1450 - 1700	1100		3	10	10009.1100.0.2	10055.1100.0.2
	1700 - 2000	1450		3	10	10009.1450.0.2	10055.1450.0.2
	2000 - 2350	1800		4	10	10009.1800.0.2	10055.1800.0.2
Middle Lock (Hor.)	SRW	Length	LP	PU	Article Nr.	Article Nr. - Se	
	400 - 700	240		1	10	10009.0240.0.2	10055.0240.0.2
	700 - 1100	550		2	10	10009.0550.0.2	10055.0550.0.2
	1100 - 1300	750		2	10	10009.0750.0.2	10055.0750.0.2
	1300 - 1650	1100		3	10	10009.1100.0.2	10055.1100.0.2
Fixing Plate	SRW	Length	LP	PU	Article Nr.		
	280 - 700	35	-	10	10062.0000.0.2		
Stay Arm Hinge 9 mm					100	10014.0009.0.2	
Stay Arm Hinge 13 mm					100	10014.0013.0.2	
Stay Arm Bearing					100	10013.0000.0.2	
Drill-in Corner Hinge					100	10016.0000.0.2	
Corner Bearing					100	10015.0000.0.2	
Tilt & Turn Cover Set					100	10300.0000.0.****	
First Tilt Pivot Locking Plate - L					100	21548.0013.L.2	
First Tilt Pivot Locking Plate - R					100	21548.0013.R.2	
Locking Plate					100	acc. to profile	
Locking Plate - Se					100	acc. to profile	

SRH / SRW	700 - 1300	1300 - 1400	1400 - 1650
700 - 1300	7	8	9
1300 - 1450	8	9	10
1450 - 2000	9	10	11
2000 - 2200	10	11	12

* 7,5 mm or 15 mm backset options can be selected.
 ** Micro ventilation function requires a special part. (10277.0000.0.2)
 *** If middle lock (horizontal) is not preferred on the system the fixing plate should be used. (10062.0000.0.2)
 **** 1B=White ; 2S=Silver Colour ; 3C=Champagne ; 5A=Bronze Colour ; 6F=Light Brown ; 6H=Brown ; 6J=Dark Brown ; 9F=Anthracite Grey ; 7B=Black



Description	LP	PU	Article Nr.				
Corner Transmission	1	100	10274.0000.0.2				
Extension Piece, 180°	1	100	10040.0000.0.2				
First Tilt Stay Arm	SRW	Length	LP	PU	Article Nr.	Article Nr. - Se	
	400 - 650	520	-	10	10365.0520.0.2		
	450 - 700	570	-	10	10365.0570.0.2		
	700 - 950	820	1	10	10365.0820.0.2	10440.0820.0.2	
	950 - 1150	1020	1	10	10365.1020.0.2	10440.1020.0.2	
	1150 - 1400	1270	1	10	10365.1270.0.2	10440.1270.0.2	
	1400 - 1650	1520	1	10	10365.1520.0.2	10440.1520.0.2	
First Tilt Gear	SRH	Length	LP	PU	Article Nr.	Article Nr. - Se	
	700 - 1200	940	350 - 600	1	10	10515.0940.0.2	10516.0940.0.2
	950 - 1450	1190	475 - 725	1	10	10515.1190.0.2	10516.1190.0.2
	1200 - 1700	1440	600 - 850	2	10	10515.1440.0.2	10516.1440.0.2
	1700 - 2200	1940	850 - 1100	2	10	10515.1940.0.2	10516.1940.0.2
Middle Lock (Ver.)	SRH	Length	LP	PU	Article Nr.	Article Nr. - Se	
	700 - 1200	550		2	10	10009.0550.0.2	10055.0550.0.2
	1200 - 1450	750		2	10	10009.0750.0.2	10055.0750.0.2
	1450 - 1700	1100		3	10	10009.1100.0.2	10055.1100.0.2
	1700 - 2000	1450		3	10	10009.1450.0.2	10055.1450.0.2
	2000 - 2350	1800		4	10	10009.1800.0.2	10055.1800.0.2
Middle Lock (Hor.)	SRW	Length	LP	PU	Article Nr.		
	400 - 700	240	1	10	10055.0240.0.2		
	700 - 1100	550	2	10	10055.0550.0.2		
	1100 - 1300	750	2	10	10055.0750.0.2		
	1300 - 1650	1100	3	10	10055.1100.0.2		
Stay Arm Hinge 9 mm				100	10014.0009.0.2		
Stay Arm Hinge 13 mm				100	10014.0013.0.2		
Stay Arm Bearing				100	10013.0000.0.2		
Drill-in Corner Hinge				100	10016.0000.0.2		
Corner Bearing				100	10015.0000.0.2		
Tilt & Turn Cover Set				100	10300.0000.0.****		
Locking Plate				100	acc. to profile		
Locking Plate - Se				100	acc. to profile		
First Tilt Bottom Tilt Locking Plate 13 mm - L				100	10366.0013.L.2		
First Tilt Bottom Tilt Locking Plate 13 mm - R				100	10366.0013.R.2		
First Tilt Bottom Tilt Locking Plate 9 mm - L				100	10366.0009.L.2		
First Tilt Bottom Tilt Locking Plate 9 mm - R				100	10366.0009.R.2		
SRH / SRW	700 - 1300	1300 - 1400	1400 - 1650				
	700 - 1300	7	8	9			
	1300 - 1450	8	9	10			
	1450 - 2000	8	9	10			
	2000 - 2200	9	10	11			

* 7,5 mm or 15 mm backset options can be selected.
 ** Micro ventilation function requires a special part. (10277.0000.0.2)
 *** 1B=White ; 2S=Silver Colour ; 3C=Champagne ; 5A=Bronze Colour ; 6F=Light Brown ; 6H=Brown ; 6J=Dark Brown ; 9F=Anthracite Grey ; 7B=Black



Description		LP	PU	Article Nr.			
Corner Transmission		1	100	10274.0000.0.2			
Corner Transmission - Se		1	100	10004.0000.0.2			
First Tilt Stay Arm	SRW	Length	LP	PU	Article Nr.	Article Nr. - Se	
	400 - 650	520	-	10	10365.0520.0.2		
	450 - 700	570	-	10	10365.0570.0.2		
	700 - 950	820	1	10	10365.0820.0.2	10440.0820.0.2	
	950 - 1150	1020	1	10	10365.1020.0.2	10440.1020.0.2	
	1150 - 1400	1270	1	10	10365.1270.0.2	10440.1270.0.2	
	1400 - 1650	1520	1	10	10365.1520.0.2	10440.1520.0.2	
First Tilt Gear	SRH	Length	LP	PU	Article Nr.	Article Nr. - Se	
	700 - 1200	940	350 - 600	1	10	10515.0940.0.2	10516.0940.0.2
	950 - 1450	1190	475 - 725	1	10	10515.1190.0.2	10516.1190.0.2
	1200 - 1700	1440	600 - 850	2	10	10515.1440.0.2	10516.1440.0.2
	1700 - 2200	1940	850 - 1100	2	10	10515.1940.0.2	10516.1940.0.2
Middle Lock (Ver.)	SRH	Length	LP	PU	Article Nr.	Article Nr. - Se	
	700 - 1200	550		2	10	10009.0550.0.2	10055.0550.0.2
	1200 - 1450	750		2	10	10009.0750.0.2	10055.0750.0.2
	1450 - 1700	1100		3	10	10009.1100.0.2	10055.1100.0.2
	1700 - 2000	1450		3	10	10009.1450.0.2	10055.1450.0.2
	2000 - 2350	1800		4	10	10009.1800.0.2	10055.1800.0.2
Extension Lock	SRW	Length	LP	PU	Article Nr.	Article Nr. - Se	
	720 - 1450	710		1	10	10057.0710.0.2	10059.0710.0.2
Stay Arm Hinge 9 mm					100	10014.0009.0.2	
Stay Arm Hinge 13 mm					100	10014.0013.0.2	
Stay Arm Bearing					100	10013.0000.0.2	
Drill-in Corner Hinge					100	10016.0000.0.2	
Corner Bearing					100	10015.0000.0.2	
Tilt & Turn Cover Set					100	10300.0000.0.***	
Locking Plate					100	acc. to profile	
Locking Plate - Se					100	acc. to profile	
First Tilt Bottom Tilt Locking Plate 13 mm - L					100	10366.0013.L.2	
First Tilt Bottom Tilt Locking Plate 13 mm - R					100	10366.0013.R.2	
First Tilt Bottom Tilt Locking Plate 9 mm - L					100	10366.0009.L.2	
First Tilt Bottom Tilt Locking Plate 9 mm - R					100	10366.0009.R.2	
SRH / SRW	700 - 1300	1300 - 1400	1400 - 1650				
700 - 1300	7	8	9				
1300 - 1450	8	9	10				
1450 - 2000	8	9	10				
2000 - 2200	9	10	11				

* 7,5 mm or 15 mm backset options can be selected.
 ** Micro ventilation function requires a special part. (10277.0000.0.2)
 *** 1B=White ; 2S=Silver Colour ; 3C=Champagne ; 5A=Bronze Colour ; 6F=Light Brown ; 6H=Brown ; 6J=Dark Brown; 9F=Anthracite Grey ; 7B=Black



First Tilt - GV Horizontal Tilt (Corner Transmission) For Aluminium Systems

ACCADO

Description	LP	PU	Article Nr.				
Corner Transmission	1	100	10274.0000.0.2				
Corner Transmission - Se	1	100	10004.0000.0.2				
First Tilt Stay Arm	SRW	Length	LP	PU	Article Nr.	Article Nr. - Se	
	400 - 650	520	-	10	10365.0520.0.2		
	450 - 700	570	-	10	10365.0570.0.2		
	700 - 950	820	1	10	10365.0820.0.2	10440.0820.0.2	
	950 - 1150	1020	1	10	10365.1020.0.2	10440.1020.0.2	
	1150 - 1400	1270	1	10	10365.1270.0.2	10440.1270.0.2	
	1400 - 1650	1520	1	10	10365.1520.0.2	10440.1520.0.2	
First Tilt Gear	SRH	Length	LP	PU	Article Nr.	Article Nr. - Se	
	700 - 1200	940	350 - 600	1	10	10515.0940.0.2	10516.0940.0.2
	950 - 1450	1190	475 - 725	1	10	10515.1190.0.2	10516.1190.0.2
	1200 - 1700	1440	600 - 850	2	10	10515.1440.0.2	10516.1440.0.2
	1700 - 2200	1940	850 - 1100	2	10	10515.1940.0.2	10516.1940.0.2
Middle Lock (Ver.)	SRH	Length	LP	PU	Article Nr.	Article Nr. - Se	
	700 - 1200	550		2	10	10009.0550.0.2	10055.0550.0.2
	1200 - 1450	750		2	10	10009.0750.0.2	10055.0750.0.2
	1450 - 1700	1100		3	10	10009.1100.0.2	10055.1100.0.2
	1700 - 2000	1450		3	10	10009.1450.0.2	10055.1450.0.2
	2000 - 2350	1800		4	10	10009.1800.0.2	10055.1800.0.2
Extension Lock	SRW	Length	LP	PU	Article Nr.	Article Nr. - Se	
	720- 1450	710		1	10	10057.0710.0.2	10059.0710.0.2
Stay Arm Hinge 9 mm				100	10014.0009.0.2		
Stay Arm Hinge 13 mm				100	10014.0013.0.2		
Stay Arm Bearing				100	10013.0000.0.2		
Adjustable Bottom Hinge, 9 mm, Left				100	10023.0009.L.2		
Adjustable Bottom Hinge, 9 mm, Right				100	10023.0009.R.2		
Adjustable Bottom Hinge, 13 mm, Left				100	10023.0013.L.2		
Adjustable Bottom Hinge, 13 mm, Right				100	10023.0013.R.2		
Corner Bearing				100	10015.0000.0.2		
Top Hinge Cover Set				100	10042.0000.0.**		
Adjustable Bottom Hinge Cover Set, Left				100	10045.0000.L.**		
Adjustable Bottom Hinge Cover Set, Right				100	10045.0000.R.**		
Locking Plate for Aluminium Systems 9 mm				100	21547.0009.0.2		
Locking Plate for Aluminium Systems 13 mm				100	21547.0013.0.2		
Güvenlikli Karşılık				100	acc. to profile		
First Tilt Bottom Tilt Locking Plate 13 mm - L				100	acc. to profile		
First Tilt Bottom Tilt Locking Plate 13 mm - R				100	acc. to profile		
First Tilt Bottom Tilt Locking Plate 9 mm - L				100	acc. to profile		
First Tilt Bottom Tilt Locking Plate 9 mm - R				100	acc. to profile		
SRH / SRW	700 - 1300	1300 - 1400	1400 - 1650				
	700 - 1300	7	8	9			
	1300 - 1450	8	9	10			
	1450 - 2000	8	9	10			
	2000 - 2200	9	10	11			

* 7,5 mm or 15 mm backset options can be selected.
 ** 1B=White ; 2S=Silver Colour ; 3C=Champagne ; 5A=Bronze Colour ; 6F=Light Brown ; 6H=Brown ; 6J=Dark Brown ; 9F=Anthracite Grey ; 7B=Black



Description	LP	PU	Article Nr.				
Corner Transmission	1	100	10274.0000.0.2				
Stay Arm	SRW	Length	LP	PU	Article Nr.	Article Nr. - Se	
	*** 300 - 400	350	-	10	10008.0350.0.2		
	370 - 480	350	-	10	10008.0350.0.2		
	400 - 650	520	-	10	10008.0520.0.2		
	450 - 700	570	-	10	10008.0570.0.2		
	700 - 950	820	1	10	10008.0820.0.2	10054.0820.0.2	
	950 - 1150	1020	1	10	10008.1020.0.2	10054.1020.0.2	
	1150 - 1400	1270	1	10	10008.1270.0.2	10054.1270.0.2	
	1400 - 1650	1520	1	10	10008.1520.0.2	10054.1520.0.2	
Gear	SRH	Length	LP	PU	Article Nr. F15	Article Nr. - Se	
	340 - 470	340	130	-	10	10002.0340.0.2	
	420 - 550	420	155	-	10	10002.0420.0.2	
	520 - 720	590	200	-	10	10002.0590.0.2	
	720 - 850	720	250	1	10	10002.0720.0.2	10053.0720.0.2
	850 - 1100	970	400	1	10	10002.0970.0.2	10053.0970.0.2
	1100 - 1350	1220	500	1	10	10002.1220.0.2	10053.1220.0.2
	1350 - 1600	1470	600	2	10	10002.1470.0.2	10053.1470.0.2
	1600 - 1850	1720	600	2	10	10002.1720.0.2	10053.1720.0.2
	1850 - 2100	1970	980	2	10	10002.1970.0.2	10053.1970.0.2
	2100 - 2350	2220	980	3	10	10002.2220.0.2	10053.2220.0.2
Middle Lock (Ver.)	SRH	Length	LP	PU	Article Nr.	Article Nr. - Se	
	700 - 1200	550	2	10	10009.0550.0.2	10055.0550.0.2	
	1200 - 1450	750	2	10	10009.0750.0.2	10055.0750.0.2	
	1450 - 1700	1100	3	10	10009.1100.0.2	10055.1100.0.2	
	1700 - 2000	1450	3	10	10009.1450.0.2	10055.1450.0.2	
	2000 - 2350	1800	4	10	10009.1800.0.2	10055.1800.0.2	
Middle Lock (Hor.)	SRW	Length	LP	PU	Article Nr.	Article Nr. - Se	
	400 - 700	240	1	10	10009.0240.0.2	10055.0240.0.2	
	700 - 1100	550	2	10	10009.0550.0.2	10055.0550.0.2	
	1100 - 1300	750	2	10	10009.0750.0.2	10055.0750.0.2	
	1300 - 1650	1100	3	10	10009.1100.0.2	10055.1100.0.2	
Stay Arm Hinge 9 mm				100	10014.0009.0.2		
Stay Arm Hinge 13 mm				100	10014.0013.0.2		
Stay Arm Bearing				100	10013.0000.0.2		
Drill-in Corner Hinge				100	10016.0000.0.2		
Corner Bearing				100	10015.0000.0.2		
Tilt & Turn Cover Set				100	10300.0000.0.****		
Pivot Locking Plate				100	acc. to profile		
Locking Plate				100	acc. to profile		
Locking Plate - Se				100	acc. to profile		
	SRH / SRW	280 - 700	700 - 1300	1300 - 1400	1400 - 1650		
	420 - 720	1	4	5	6		
	720 - 1350	4	7	8	9		
	1350 - 2100	6	9	10	11		
	2100 - 2350	8	11	12	13		

* 7,5 mm or 15 mm backset options can be selected.
 ** Micro ventilation function requires a special part. (10277.0000.0.2)
 *** SRW 300-400 is possible with Corner Transmission Short (10275.0000.0.2).
 **** 1B=White ; 2S=Silver Colour ; 3C=Champagne ; 5A=Bronze Colour ; 6F=Light Brown ; 6H=Brown ; 6J=Dark Brown ; 9F=Anthracite Grey ; 7B=Black



Description	LP	PU	Article Nr.	
Corner Transmission	1	100	10274.0000.0.2	
Stay Arm				
SRW				
Length				
*** 300 - 400	-	10	10008.0350.0.2	
370 - 480	-	10	10008.0350.0.2	
400 - 650	-	10	10008.0520.0.2	
450 - 700	-	10	10008.0570.0.2	
700 - 950	1	10	10008.0820.0.2	
950 - 1150	1	10	10008.1020.0.2	
1150 - 1400	1	10	10008.1270.0.2	
1400 - 1650	1	10	10008.1520.0.2	
Article Nr. - Se				
10054.0820.0.2				
10054.1020.0.2				
10054.1270.0.2				
10054.1520.0.2				
Gear				
SRH				
Length				
LP				
PU				
Article Nr. F15				
Article Nr. - Se				
340 - 470	-	10	10064.0340.0.2	
420 - 550	-	10	10064.0420.0.2	
520 - 720	-	10	10064.0590.0.2	
720 - 850	1	10	10064.0720.0.2	
850 - 1100	1	10	10064.0970.0.2	
1100 - 1350	1	10	10064.1220.0.2	
1350 - 1600	2	10	10064.1470.0.2	
1600 - 1850	2	10	10064.1720.0.2	
1850 - 2100	2	10	10064.1970.0.2	
2100 - 2350	3	10	10064.2220.0.2	
10065.0340.0.2				
10065.0420.0.2				
10065.0590.0.2				
10065.0720.0.2				
10065.0970.0.2				
10065.1220.0.2				
10065.1470.0.2				
10065.1720.0.2				
10065.1970.0.2				
10065.2220.0.2				
Middle Lock (Ver.)				
SRH				
Length				
LP				
PU				
Article Nr.				
Article Nr. - Se				
700 - 1200	2	10	10009.0550.0.2	
1200 - 1450	2	10	10009.0750.0.2	
1450 - 1700	3	10	10009.1100.0.2	
1700 - 2000	3	10	10009.1450.0.2	
2000 - 2350	4	10	10009.1800.0.2	
10055.0550.0.2				
10055.0750.0.2				
10055.1100.0.2				
10055.1450.0.2				
10055.1800.0.2				
Middle Lock (Hor.)				
SRW				
Length				
LP				
PU				
Article Nr.				
400 - 700	1	10	10055.0240.0.2	
700 - 1100	2	10	10055.0550.0.2	
1100 - 1300	2	10	10055.0750.0.2	
1300 - 1650	3	10	10055.1100.0.2	
Stay Arm Hinge 9 mm	100		10014.0009.0.2	
Stay Arm Hinge 13 mm	100		10014.0013.0.2	
Stay Arm Bearing	100		10013.0000.0.2	
Drill-in Corner Hinge	100		10016.0000.0.2	
Corner Bearing	100		10015.0000.0.2	
Tilt & Turn Cover Set	100		10300.0000.0.****	
Locking Plate	100		acc. to profile	
Locking Plate - Se	100		acc. to profile	
Bottom Tilt Locking Plate	100		acc. to profile	
SRH / SRW	280 - 700	700 - 1300	1300 - 1400	1400 - 1650
420 - 720	2	4	5	6
720 - 1350	5	7	8	9
1350 - 2100	7	9	10	11
2100 - 2350	9	11	12	13

* 7,5 mm or 15 mm backset options can be selected.
 ** Micro ventilation function requires a special part. (10277.0000.0.2)
 *** SRW 300-400 is possible with Corner Transmission Short (10275.0000.0.2).
 **** 1B=White ; 2S=Silver Colour ; 3C=Champagne ; 5A=Bronze Colour ; 6F=Light Brown ; 6H=Brown ; 6J=Dark Brown ; 9F=Anthracite Grey ; 7B=Black

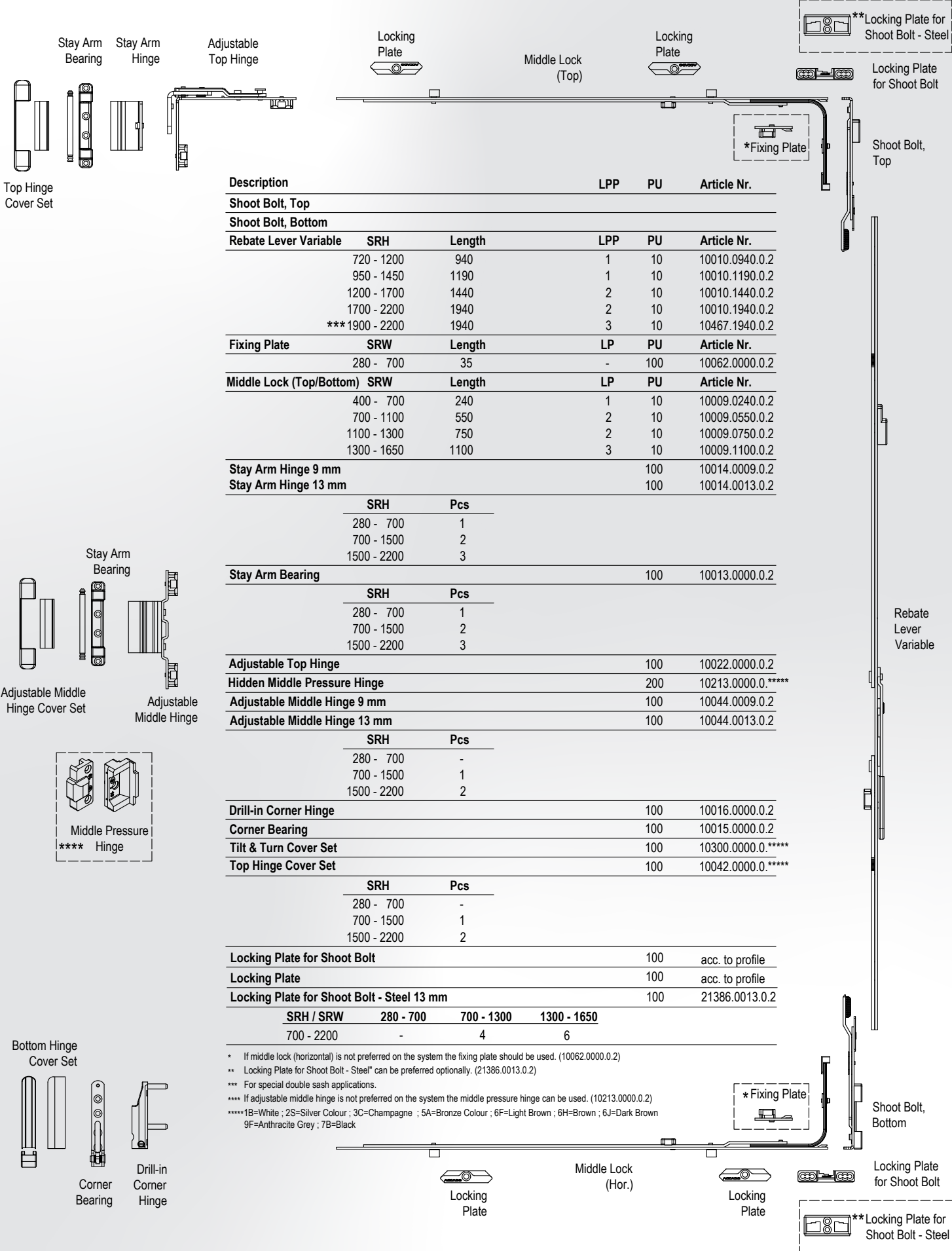
Description	LP	PU	Article Nr.	
Corner Transmission	1	100	10274.0000.0.2	
Stay Arm			LP	PU
SRW			Length	Article Nr.
*** 300 - 400	-	10	350	10008.0350.0.2
370 - 480	-	10	350	10008.0350.0.2
400 - 650	-	10	520	10008.0520.0.2
450 - 700	-	10	570	10008.0570.0.2
700 - 950	1	10	820	10008.0820.0.2
950 - 1150	1	10	1020	10008.1020.0.2
1150 - 1400	1	10	1270	10008.1270.0.2
1400 - 1650	1	10	1520	10008.1520.0.2
				10054.0820.0.2
				10054.1020.0.2
				10054.1270.0.2
				10054.1520.0.2
Gear			LP	PU
SRH			Length	Article Nr. F15
				Article Nr. - Se
340 - 470	-	10	340	10064.0340.0.2
420 - 550	-	10	420	10064.0420.0.2
520 - 720	-	10	590	10064.0590.0.2
720 - 850	1	10	720	10064.0720.0.2
850 - 1100	1	10	970	10064.0970.0.2
1100 - 1350	1	10	1220	10064.1220.0.2
1350 - 1600	2	10	1470	10064.1470.0.2
1600 - 1850	2	10	1720	10064.1720.0.2
1850 - 2100	2	10	1970	10064.1970.0.2
2100 - 2350	3	10	2220	10064.2220.0.2
				10065.0340.0.2
				10065.0420.0.2
				10065.0590.0.2
				10065.0720.0.2
				10065.0970.0.2
				10065.1220.0.2
				10065.1470.0.2
				10065.1720.0.2
				10065.1970.0.2
				10065.2220.0.2
Middle Lock (Ver.)			LP	PU
			Length	Article Nr.
				Article Nr. - Se
700 - 1200	2	10	550	10009.0550.0.2
1200 - 1450	2	10	750	10009.0750.0.2
1450 - 1700	3	10	1100	10009.1100.0.2
1700 - 2000	3	10	1450	10009.1450.0.2
2000 - 2350	4	10	1800	10009.1800.0.2
				10055.0550.0.2
				10055.0750.0.2
				10055.1100.0.2
				10055.1450.0.2
				10055.1800.0.2
Middle Lock (Hor.)			LP	PU
			Length	Article Nr.
400 - 700	1	10	240	10055.0240.0.2
700 - 1100	2	10	550	10055.0550.0.2
1100 - 1300	2	10	750	10055.0750.0.2
1300 - 1650	3	10	1100	10055.1100.0.2
Stay Arm Hinge 9 mm	100			10014.0009.0.2
Stay Arm Hinge 13 mm	100			10014.0013.0.2
Stay Arm Bearing	100			10013.0000.0.2
Adjustable Bottom Hinge, 9 mm, Left	100			10023.0009.L.2
Adjustable Bottom Hinge, 9 mm, Right	100			10023.0009.R.2
Adjustable Bottom Hinge, 13 mm, Left	100			10023.0013.L.2
Adjustable Bottom Hinge, 13 mm, Right	100			10023.0013.R.2
Corner Bearing	100			10015.0000.0.2
Top Hinge Cover Set	100			10042.0000.0.***
Adjustable Bottom Hinge Cover Set, Left	100			10045.0000.L.***
Adjustable Bottom Hinge Cover Set, Right	100			10045.0000.R.***
Locking Plate for Aluminium Systems 9 mm	100			21547.0009.0.2
Locking Plate for Aluminium Systems 13 mm	100			21547.0013.0.2
Locking Plate - Se	100			acc. to profile
Bottom Tilt Locking Plate	100			acc. to profile

* 7,5 mm or 15 mm backset options can be selected.
 ** Micro ventilation function requires a special part. (10277.0000.0.2)
 *** SRW 300-400 is possible with Corner Transmission Short (10275.0000.0.2).
 **** 1B=White ; 2S=Silver Colour ; 3C=Champagne ; 5A=Bronze Colour ; 6F=Light Brown ; 6H=Brown ; 6J=Dark Brown ; 9F=Anthracite Grey ; 7B=Black



Double Sash - Inactive Sash Rebate Lever Variable & Shoot Bolt

ACCADO



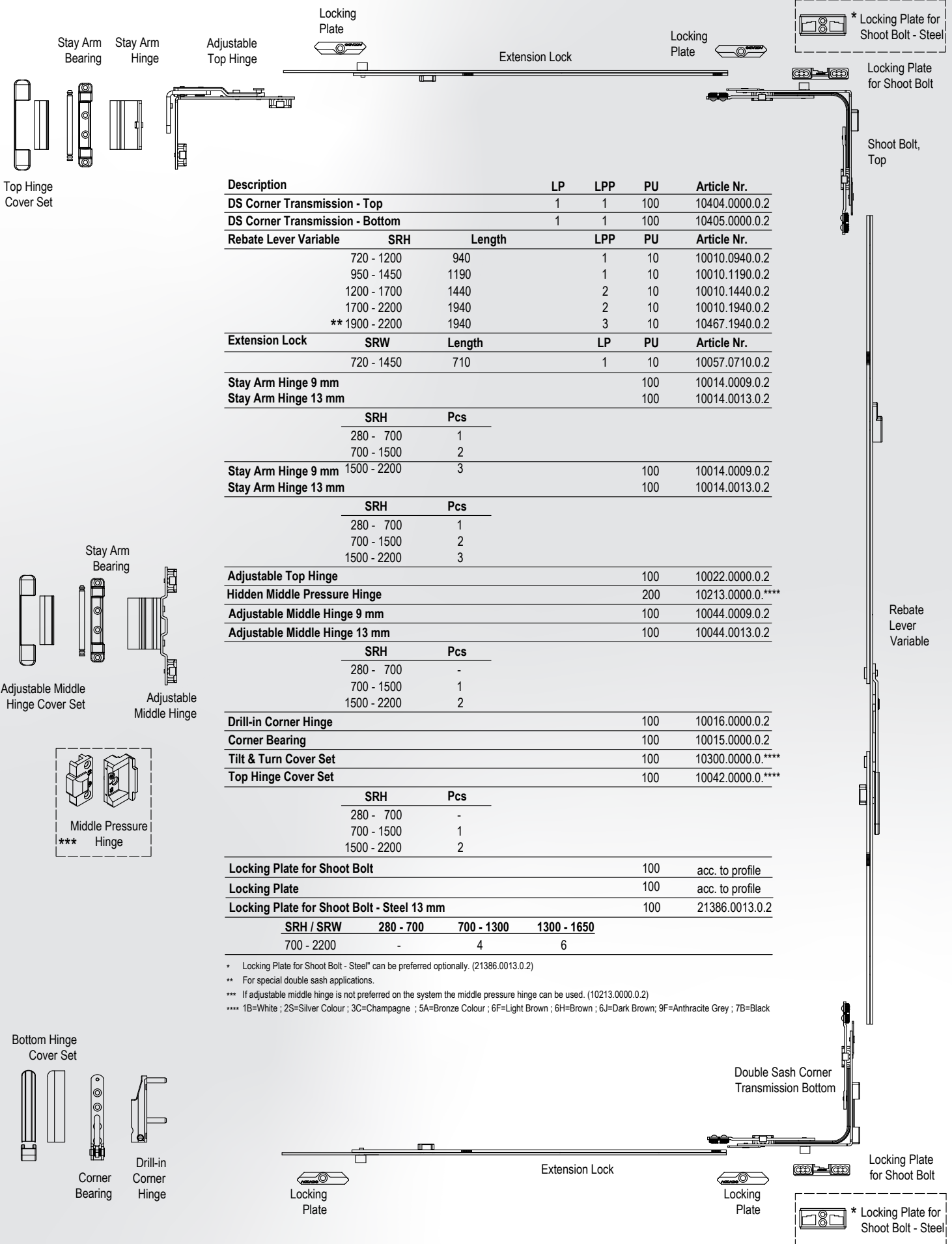
Description		LPP	PU	Article Nr.	
Shoot Bolt, Top					
Shoot Bolt, Bottom					
Rebate Lever Variable	SRH	Length	LPP	PU	Article Nr.
	720 - 1200	940	1	10	10010.0940.0.2
	950 - 1450	1190	1	10	10010.1190.0.2
	1200 - 1700	1440	2	10	10010.1440.0.2
	1700 - 2200	1940	2	10	10010.1940.0.2
	*** 1900 - 2200	1940	3	10	10467.1940.0.2
Fixing Plate	SRW	Length	LP	PU	Article Nr.
	280 - 700	35	-	100	10062.0000.0.2
Middle Lock (Top/Bottom)	SRW	Length	LP	PU	Article Nr.
	400 - 700	240	1	10	10009.0240.0.2
	700 - 1100	550	2	10	10009.0550.0.2
	1100 - 1300	750	2	10	10009.0750.0.2
	1300 - 1650	1100	3	10	10009.1100.0.2
Stay Arm Hinge 9 mm				100	10014.0009.0.2
Stay Arm Hinge 13 mm				100	10014.0013.0.2
	SRH	Pcs			
	280 - 700	1			
	700 - 1500	2			
	1500 - 2200	3			
Stay Arm Bearing				100	10013.0000.0.2
	SRH	Pcs			
	280 - 700	1			
	700 - 1500	2			
	1500 - 2200	3			
Adjustable Top Hinge				100	10022.0000.0.2
Hidden Middle Pressure Hinge				200	10213.0000.0.****
Adjustable Middle Hinge 9 mm				100	10044.0009.0.2
Adjustable Middle Hinge 13 mm				100	10044.0013.0.2
	SRH	Pcs			
	280 - 700	-			
	700 - 1500	1			
	1500 - 2200	2			
Drill-in Corner Hinge				100	10016.0000.0.2
Corner Bearing				100	10015.0000.0.2
Tilt & Turn Cover Set				100	10300.0000.0.****
Top Hinge Cover Set				100	10042.0000.0.****
	SRH	Pcs			
	280 - 700	-			
	700 - 1500	1			
	1500 - 2200	2			
Locking Plate for Shoot Bolt				100	acc. to profile
Locking Plate				100	acc. to profile
Locking Plate for Shoot Bolt - Steel 13 mm				100	21386.0013.0.2
	SRH / SRW	280 - 700	700 - 1300	1300 - 1650	
	700 - 2200	-	4	6	

* If middle lock (horizontal) is not preferred on the system the fixing plate should be used. (10062.0000.0.2)
 ** Locking Plate for Shoot Bolt - Steel* can be preferred optionally. (21386.0013.0.2)
 *** For special double sash applications.
 **** If adjustable middle hinge is not preferred on the system the middle pressure hinge can be used. (10213.0000.0.2)
 *****1B=White ; 2S=Silver Colour ; 3C=Champagne ; 5A=Bronze Colour ; 6F=Light Brown ; 6H=Brown ; 6J=Dark Brown
 9F=Anthracite Grey ; 7B=Black



Double Sash - Inactive Sash Rebate Lever Variable & DS Corner Transmission

ACCADO



Description	LP	LPP	PU	Article Nr.	
DS Corner Transmission - Top	1	1	100	10404.0000.0.2	
DS Corner Transmission - Bottom	1	1	100	10405.0000.0.2	
Rebate Lever Variable	SRH	Length	LPP	PU	Article Nr.
	720 - 1200	940	1	10	10010.0940.0.2
	950 - 1450	1190	1	10	10010.1190.0.2
	1200 - 1700	1440	2	10	10010.1440.0.2
	1700 - 2200	1940	2	10	10010.1940.0.2
	** 1900 - 2200	1940	3	10	10467.1940.0.2
Extension Lock	SRW	Length	LP	PU	Article Nr.
	720 - 1450	710	1	10	10057.0710.0.2
Stay Arm Hinge 9 mm				100	10014.0009.0.2
Stay Arm Hinge 13 mm				100	10014.0013.0.2
	SRH	Pcs			
	280 - 700	1			
	700 - 1500	2			
Stay Arm Hinge 9 mm	1500 - 2200	3		100	10014.0009.0.2
Stay Arm Hinge 13 mm				100	10014.0013.0.2
	SRH	Pcs			
	280 - 700	1			
	700 - 1500	2			
	1500 - 2200	3			
Adjustable Top Hinge				100	10022.0000.0.2
Hidden Middle Pressure Hinge				200	10213.0000.0.***
Adjustable Middle Hinge 9 mm				100	10044.0009.0.2
Adjustable Middle Hinge 13 mm				100	10044.0013.0.2
	SRH	Pcs			
	280 - 700	-			
	700 - 1500	1			
	1500 - 2200	2			
Drill-in Corner Hinge				100	10016.0000.0.2
Corner Bearing				100	10015.0000.0.2
Tilt & Turn Cover Set				100	10300.0000.0.***
Top Hinge Cover Set				100	10042.0000.0.***
	SRH	Pcs			
	280 - 700	-			
	700 - 1500	1			
	1500 - 2200	2			
Locking Plate for Shoot Bolt				100	acc. to profile
Locking Plate				100	acc. to profile
Locking Plate for Shoot Bolt - Steel 13 mm				100	21386.0013.0.2
	SRH / SRW	280 - 700	700 - 1300	1300 - 1650	
	700 - 2200	-	4	6	

* Locking Plate for Shoot Bolt - Steel* can be preferred optionally. (21386.0013.0.2)
 ** For special double sash applications.
 *** If adjustable middle hinge is not preferred on the system the middle pressure hinge can be used. (10213.0000.0.2)
 **** 1B=White ; 2S=Silver Colour ; 3C=Champagne ; 5A=Bronze Colour ; 6F=Light Brown ; 6H=Brown ; 6J=Dark Brown ; 9F=Anthracite Grey ; 7B=Black



Double Sash - Active Sash GV Vertical Tilt

ACCADO

Locking Plate

Stay Arm

Stay Arm Hinge

Stay Arm Bearing

Corner Transmission **

Locking Plate

Locking Plate

* GV Gear

Locking Plate

Middle Lock (Ver.)

Locking Plate

Middle Lock (Ver.)

Locking Plate

Bottom Extension

Locking Plate

Middle Lock (Hor.)

Locking Plate

Drill-in Corner Hinge

Corner Bearing

Top Hinge Cover Set

Bottom Hinge Cover Set

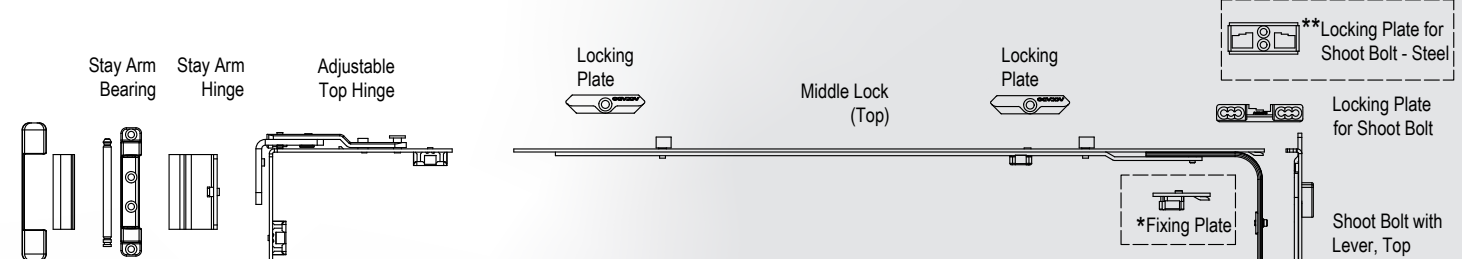
Description	LP	PU	Article Nr.			
Corner Transmission	1	100	10274.0000.0.2			
Bottom Extension SRH	LP	PU	Article Nr.			
420 - 950	1	100	10003.0950.0.2			
950 - 2350	1	100	10003.2350.0.2			
Stay Arm	SRW	Length	LP	PU	Article Nr.	Article Nr. - Se
*** 300 - 400	350	-	10	10008.0350.0.2		
370 - 480	350	-	10	10008.0350.0.2		
400 - 650	520	-	10	10008.0520.0.2		
450 - 700	570	-	10	10008.0570.0.2		
700 - 950	820	1	10	10008.0820.0.2	10054.0820.0.2	
950 - 1150	1020	1	10	10008.1020.0.2	10054.1020.0.2	
1150 - 1400	1270	1	10	10008.1270.0.2	10054.1270.0.2	
1400 - 1650	1520	1	10	10008.1520.0.2	10054.1520.0.2	
Gear	SRH	Length	LP	PU	Article Nr. F15	
440 - 530	270	210 - 265	-	10	10001.0270.0.2	
530 - 700	440	265 - 350	-	10	10001.0440.0.2	
700 - 1200	940	350 - 600	1	10	10001.0940.0.2	
950 - 1450	1190	475 - 725	1	10	10001.1190.0.2	
1200 - 1700	1440	600 - 850	2	10	10001.1440.0.2	
1700 - 2200	1940	850 - 1100	2	10	10001.1940.0.2	
**** 1900 - 2200	1940	850 - 1100	3	10	10466.1940.0.2	
Middle Lock (Ver.)	SRH	Length	LP	PU	Article Nr.	Article Nr. - Se
700 - 1200	550	2	10	10009.0550.0.2	10055.0550.0.2	
1200 - 1450	750	2	10	10009.0750.0.2	10055.0750.0.2	
1450 - 1700	1100	3	10	10009.1100.0.2	10055.1100.0.2	
1700 - 2000	1450	3	10	10009.1450.0.2	10055.1450.0.2	
2000 - 2350	1800	4	10	10009.1800.0.2	10055.1800.0.2	
Middle Lock (Hor.)	SRW	Length	LP	PU	Article Nr.	Article Nr. - Se
400 - 700	240	1	10	10009.0240.0.2	10055.0240.0.2	
700 - 1100	550	2	10	10009.0550.0.2	10055.0550.0.2	
1100 - 1300	750	2	10	10009.0750.0.2	10055.0750.0.2	
1300 - 1650	1100	3	10	10009.1100.0.2	10055.1100.0.2	
Stay Arm Hinge 9 mm				100	10014.0009.0.2	
Stay Arm Hinge 13 mm				100	10014.0013.0.2	
Stay Arm Bearing				100	10013.0000.0.2	
Drill-in Corner Hinge				100	10016.0000.0.2	
Corner Bearing				100	10015.0000.0.2	
Tilt & Turn Cover Set				100	10300.0000.0.****	
Locking Plate				100	acc. to profile	
Locking Plate - Se				100	acc. to profile	
SRH / SRW	280 - 700	700 - 1300	1300 - 1400	1400 - 1650		
420 - 700	1	4	5	6		
700 - 1300	4	7	8	9		
1300 - 1450	5	8	9	10		
1450 - 2000	6	9	10	11		
2000 - 2200	7	10	11	12		

* 7,5 mm, 15 mm, 30 mm, 40 mm backset options can be selected.
 ** Micro ventilation function requires a special part. (10277.0000.0.2)
 *** SRW 300-400 is possible with Corner Transmission Short (10275.0000.0.2).
 **** For special double sash applications.
 ***** 1B=White ; 2S=Silver Colour ; 3C=Champagne ; 5A=Bronze Colour ; 6F=Light Brown ; 6H=Brown ; 6J=Dark Brown ; 9F=Anthracite Grey ; 7B=Black



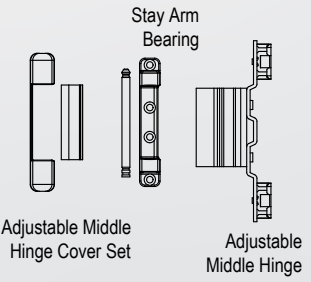
Double Sash - Inactive Sash Shoot Bolt With Lever

ACCADO



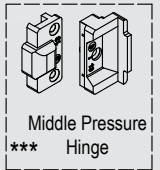
Top Hinge Cover Set

Description	LPP	PU	Article Nr.	
Shoot Bolt with Lever, Top	1	25	10060.0000.0.2	
Shoot Bolt with Lever, Bottom	1	25	10061.0000.0.2	
Fixing Plate	SRW	Length	LP PU Article Nr.	
	280 - 700	35	- 100 10062.0000.0.2	
Middle Lock (Top/Bottom)	SRW	Length	LP PU Article Nr.	
	400 - 700	240	1 10 10009.0240.0.2	
	700 - 1100	550	2 10 10009.0550.0.2	
	1100 - 1300	750	2 10 10009.0750.0.2	
	1300 - 1650	1100	3 10 10009.1100.0.2	
Stay Arm Hinge 9 mm			100 10014.0009.0.2	
Stay Arm Hinge 13 mm			100 10014.0013.0.2	
	SRH	Pcs		
	280 - 700	1		
	700 - 1500	2		
	1500 - 2200	3		
Stay Arm Bearing			100 10013.0000.0.2	
	SRH	Pcs		
	280 - 700	1		
	700 - 1500	2		
	1500 - 2200	3		
Adjustable Top Hinge			100 10022.0000.0.2	
Hidden Middle Pressure Hinge			200 10213.0000.0.***	
Adjustable Middle Hinge 9 mm			100 10044.0009.0.2	
Adjustable Middle Hinge 13 mm			100 10044.0013.0.2	
	SRH	Pcs		
	280 - 700	-		
	700 - 1500	1		
	1500 - 2200	2		
Drill-in Corner Hinge			100 10016.0000.0.2	
Corner Bearing			100 10015.0000.0.2	
Tilt & Turn Cover Set			100 10300.0000.0.***	
Top Hinge Cover Set			100 10042.0000.0.***	
	SRH	Pcs		
	280 - 700	-		
	700 - 1500	1		
	1500 - 2200	2		
Locking Plate for Shoot Bolt			100 acc. to profile	
Locking Plate			100 acc. to profile	
Locking Plate for Shoot Bolt - Steel 13 mm			100 21386.0013.0.2	
Locking Plate for Rebate			100 20146.0000.0.2	
	SRH / SRW	280 - 700	700 - 1300	1300 - 1650
	700 - 2200	-	4	6



Adjustable Middle Hinge Cover Set

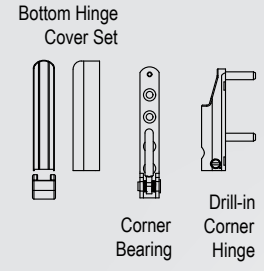
Adjustable Middle Hinge



Middle Pressure Hinge

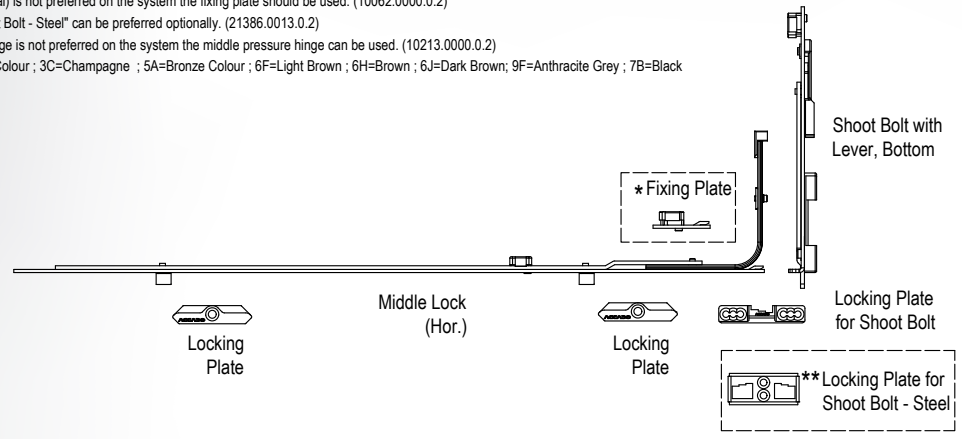


Locking Plate for Rebate



Bottom Hinge Cover Set

Drill-in Corner Hinge



Shoot Bolt with Lever, Bottom

Locking Plate for Shoot Bolt

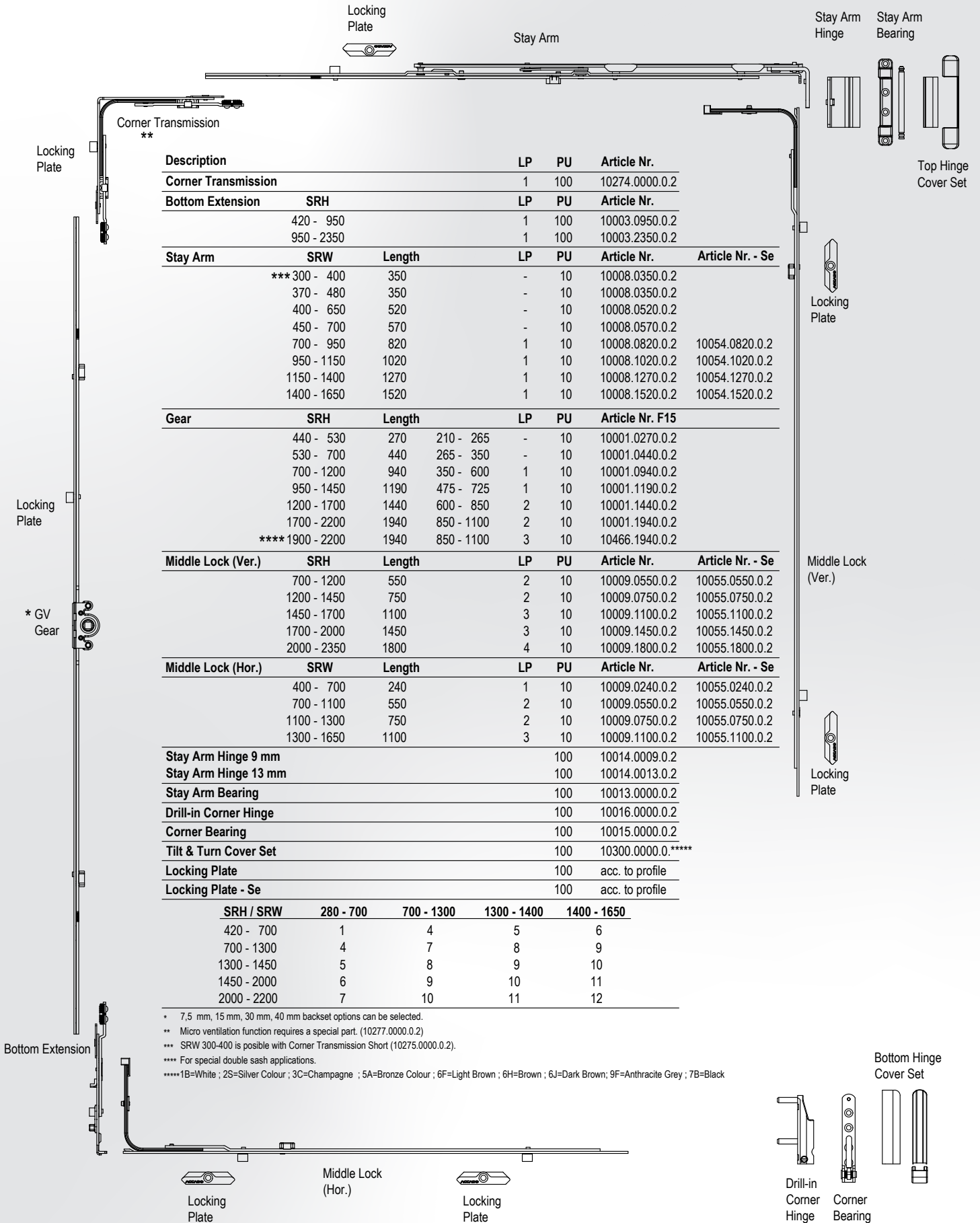
** Locking Plate for Shoot Bolt - Steel

* If middle lock (horizontal) is not preferred on the system the fixing plate should be used. (10062.0000.0.2)
 ** Locking Plate for Shoot Bolt - Steel* can be preferred optionally. (21386.0013.0.2)
 *** If adjustable middle hinge is not preferred on the system the middle pressure hinge can be used. (10213.0000.0.2)
 **** 1B=White ; 2S=Silver Colour ; 3C=Champagne ; 5A=Bronze Colour ; 6F=Light Brown ; 6H=Brown ; 6J=Dark Brown ; 9F=Anthracite Grey ; 7B=Black



Double Sash - Active Sash GV Vertical Tilt

ACCADO



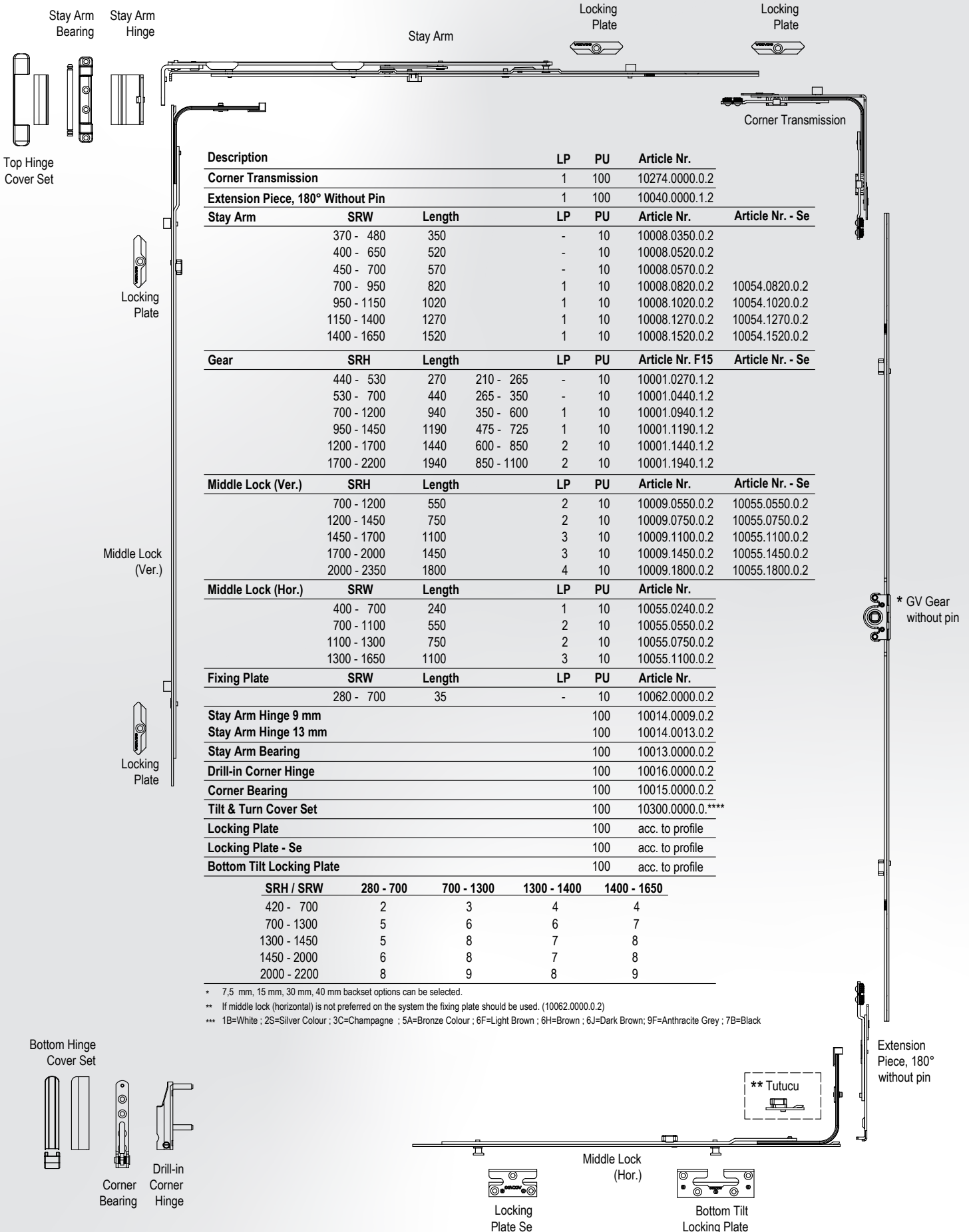
Description	LP	PU	Article Nr.			
Corner Transmission	1	100	10274.0000.0.2			
Bottom Extension	SRH	LP	PU	Article Nr.		
420 - 950	1	100	10003.0950.0.2			
950 - 2350	1	100	10003.2350.0.2			
Stay Arm	SRW	Length	LP	PU	Article Nr.	Article Nr. - Se
*** 300 - 400	350	-	10	10008.0350.0.2		
370 - 480	350	-	10	10008.0350.0.2		
400 - 650	520	-	10	10008.0520.0.2		
450 - 700	570	-	10	10008.0570.0.2		
700 - 950	820	1	10	10008.0820.0.2		10054.0820.0.2
950 - 1150	1020	1	10	10008.1020.0.2		10054.1020.0.2
1150 - 1400	1270	1	10	10008.1270.0.2		10054.1270.0.2
1400 - 1650	1520	1	10	10008.1520.0.2		10054.1520.0.2
Gear	SRH	Length	LP	PU	Article Nr. F15	
440 - 530	270	210 - 265	-	10	10001.0270.0.2	
530 - 700	440	265 - 350	-	10	10001.0440.0.2	
700 - 1200	940	350 - 600	1	10	10001.0940.0.2	
950 - 1450	1190	475 - 725	1	10	10001.1190.0.2	
1200 - 1700	1440	600 - 850	2	10	10001.1440.0.2	
1700 - 2200	1940	850 - 1100	2	10	10001.1940.0.2	
**** 1900 - 2200	1940	850 - 1100	3	10	10466.1940.0.2	
Middle Lock (Ver.)	SRH	Length	LP	PU	Article Nr.	Article Nr. - Se
700 - 1200	550	2	10	10009.0550.0.2		10055.0550.0.2
1200 - 1450	750	2	10	10009.0750.0.2		10055.0750.0.2
1450 - 1700	1100	3	10	10009.1100.0.2		10055.1100.0.2
1700 - 2000	1450	3	10	10009.1450.0.2		10055.1450.0.2
2000 - 2350	1800	4	10	10009.1800.0.2		10055.1800.0.2
Middle Lock (Hor.)	SRW	Length	LP	PU	Article Nr.	Article Nr. - Se
400 - 700	240	1	10	10009.0240.0.2		10055.0240.0.2
700 - 1100	550	2	10	10009.0550.0.2		10055.0550.0.2
1100 - 1300	750	2	10	10009.0750.0.2		10055.0750.0.2
1300 - 1650	1100	3	10	10009.1100.0.2		10055.1100.0.2
Stay Arm Hinge 9 mm				100	10014.0009.0.2	
Stay Arm Hinge 13 mm				100	10014.0013.0.2	
Stay Arm Bearing				100	10013.0000.0.2	
Drill-in Corner Hinge				100	10016.0000.0.2	
Corner Bearing				100	10015.0000.0.2	
Tilt & Turn Cover Set				100	10300.0000.0.****	
Locking Plate				100	acc. to profile	
Locking Plate - Se				100	acc. to profile	
SRH / SRW	280 - 700	700 - 1300	1300 - 1400	1400 - 1650		
420 - 700	1	4	5	6		
700 - 1300	4	7	8	9		
1300 - 1450	5	8	9	10		
1450 - 2000	6	9	10	11		
2000 - 2200	7	10	11	12		

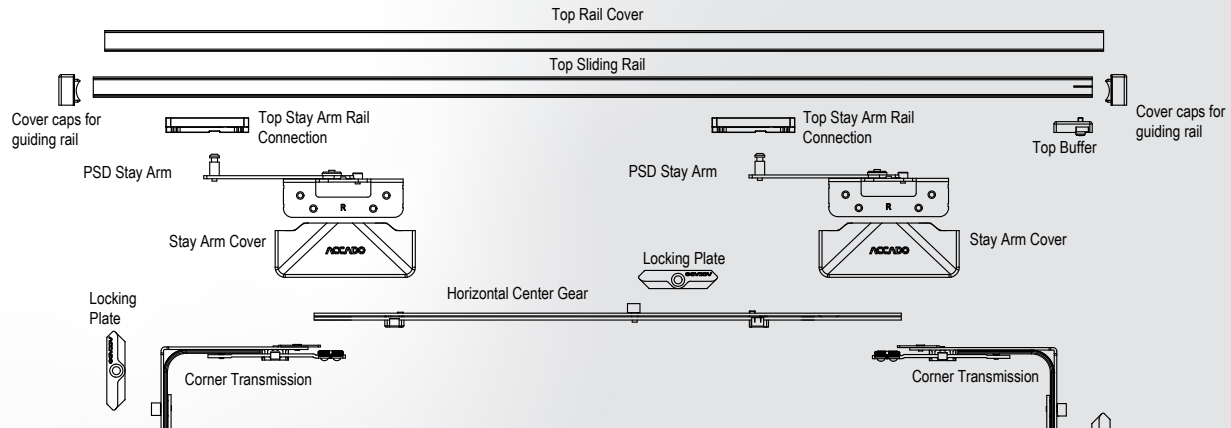
* 7,5 mm, 15 mm, 30 mm, 40 mm backset options can be selected.
 ** Micro ventilation function requires a special part. (10277.0000.0.2)
 *** SRW 300-400 is possible with Corner Transmission Short (10275.0000.0.2).
 **** For special double sash applications.
 ***** 1B=White ; 2S=Silver Colour ; 3C=Champagne ; 5A=Bronze Colour ; 6F=Light Brown ; 6H=Brown ; 6J=Dark Brown ; 9F=Anthracite Grey ; 7B=Black



Double Active Sash - Left GV Horizontal Tilt

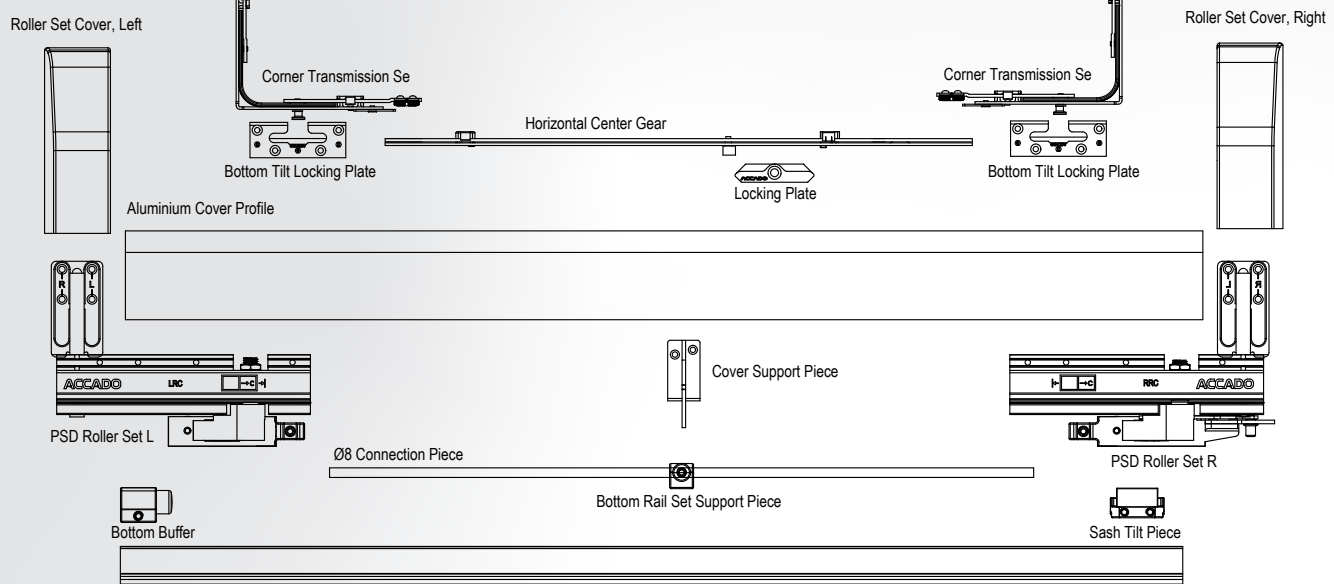
ACCADO





Description	LP	PU	Article Nr.			
Corner Transmission Se	1	100	10004.0000.0.2			
Corner Transmission	1	100	10274.0000.0.2			
Gear	SRH	Length	Seite			
			LP			
			PU			
			Article Nr.			
	700 - 1200	940	350 - 600	1	10	10001.0940.0.2
	950 - 1450	1190	475 - 725	1	10	10001.1190.0.2
	1200 - 1700	1440	600 - 850	2	10	10001.1440.0.2
	1700 - 2200	1940	850 - 1100	2	10	10001.1940.0.2
Vertical Center Gear	SRH	Length	LP			
			PU			
			Article Nr.			
	700 - 1200	940		1	10	10387.0940.0.2
	950 - 1450	1190		1	10	10387.1190.0.2
	1200 - 1700	1440		2	10	10387.1440.0.2
	1700 - 2200	1940		2	10	10387.1940.0.2
Horizontal Center Gear	SRW	Length	LP			
			PU			
			Article Nr.			
	450 - 700	440		-	10	10386.0440.0.2
	700 - 950	690		2	10	10386.0690.0.2
	900 - 1150	890		2	10	10386.0890.0.2
	1150 - 1400	1140		3	10	10386.1140.0.2
	1400 - 1650	1390		3	10	10386.1390.0.2
PSD Roller Set - LC				-	1	10282.0000.LC.0
PSD Roller Set - RC				-	1	10282.0000.RC.0
PSD Stay Arm - LC				-	1	10376.0000.L.2
PSD Stay Arm - RC				-	1	10376.0000.R.2
PSD Aluminum Profiles				-	1	10284.0000.0.2
PSD Accessory - Manual				-	1	10285.0001.0.2
Locking Plate Se				-	100	acc. to profile
Locking Plate				-	100	acc. to profile
	SRH / SRW	450 - 700	700 - 1150	1150 - 1650		
	700 - 1200	8	12	14		
	1200 - 2200	10	14	16		

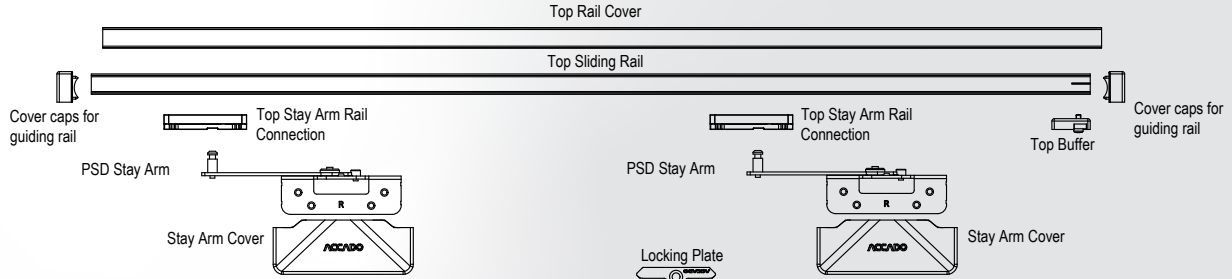
* 7,5 mm, 15 mm, 30 mm, 40 mm backset options can be selected.





PSD (Parallel Slide & Tilt Door) Semi Automatic

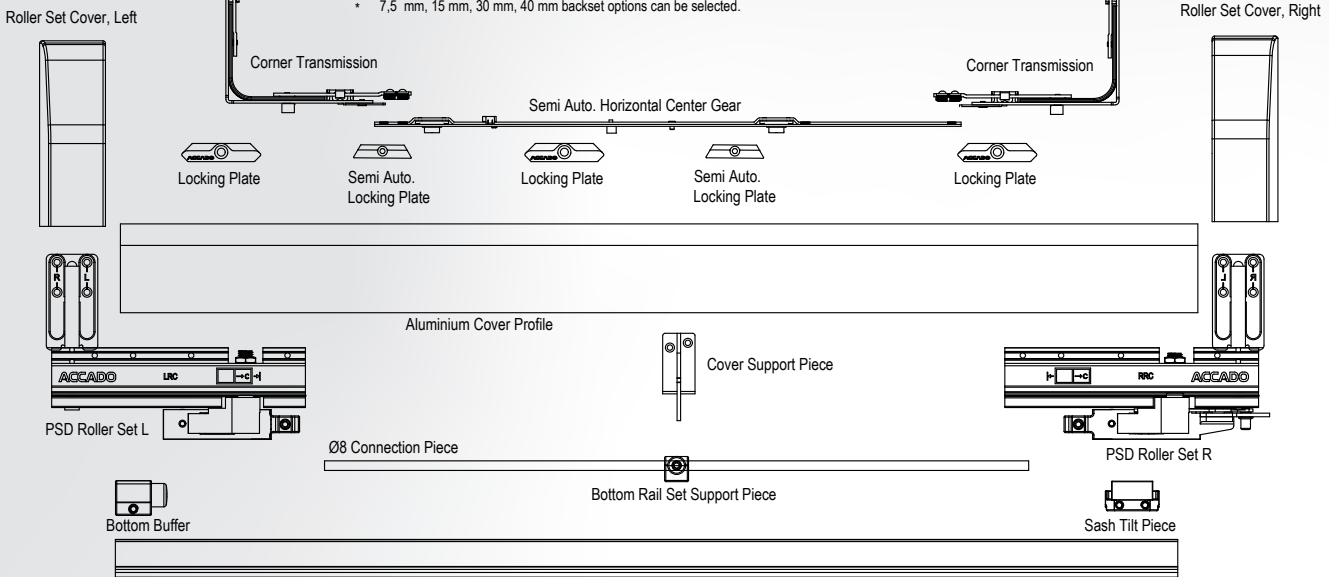
ACCADO



Description	LP	PU	Article Nr.
Corner Transmission	1	100	10274.0000.0.2
Gear	SRH	Length	Seite
	700 - 1200	940	350 - 600
	950 - 1450	1190	475 - 725
	1200 - 1700	1440	600 - 850
	1700 - 2200	1940	850 - 1100
Vertical Center Gear	SRH	Length	LP
	700 - 1200	940	1
	950 - 1450	1190	1
	1200 - 1700	1440	2
	1700 - 2200	1940	2
Horizontal Center Gear	SRW	Length	LP
	450 - 700	440	-
	700 - 950	690	2
	900 - 1150	890	2
	1150 - 1400	1140	3
	1400 - 1650	1390	3
Semi Auto. Center Gear	SRW	Length	LP
	600 - 750	490	-
	650 - 800	540	-
	800 - 950	690	1
	900 - 1150	890	1
	1150 - 1400	1140	2
	1400 - 1650	1390	2
PSD Roller Set - LC			- 1
PSD Roller Set - RC			- 1
PSD Stay Arm - LC			- 1
PSD Stay Arm - RC			- 1
PSD Aluminum Profiles			- 1
PSD Accessory - Semi Auto.			- 1
Semi Auto. PSD Locking Plate			- 100
Locking Plate			- 100

SRH / SRW	450 - 700	700 - 1150	1150 - 1650
700 - 1200	8	12	14
1200 - 2200	10	14	16

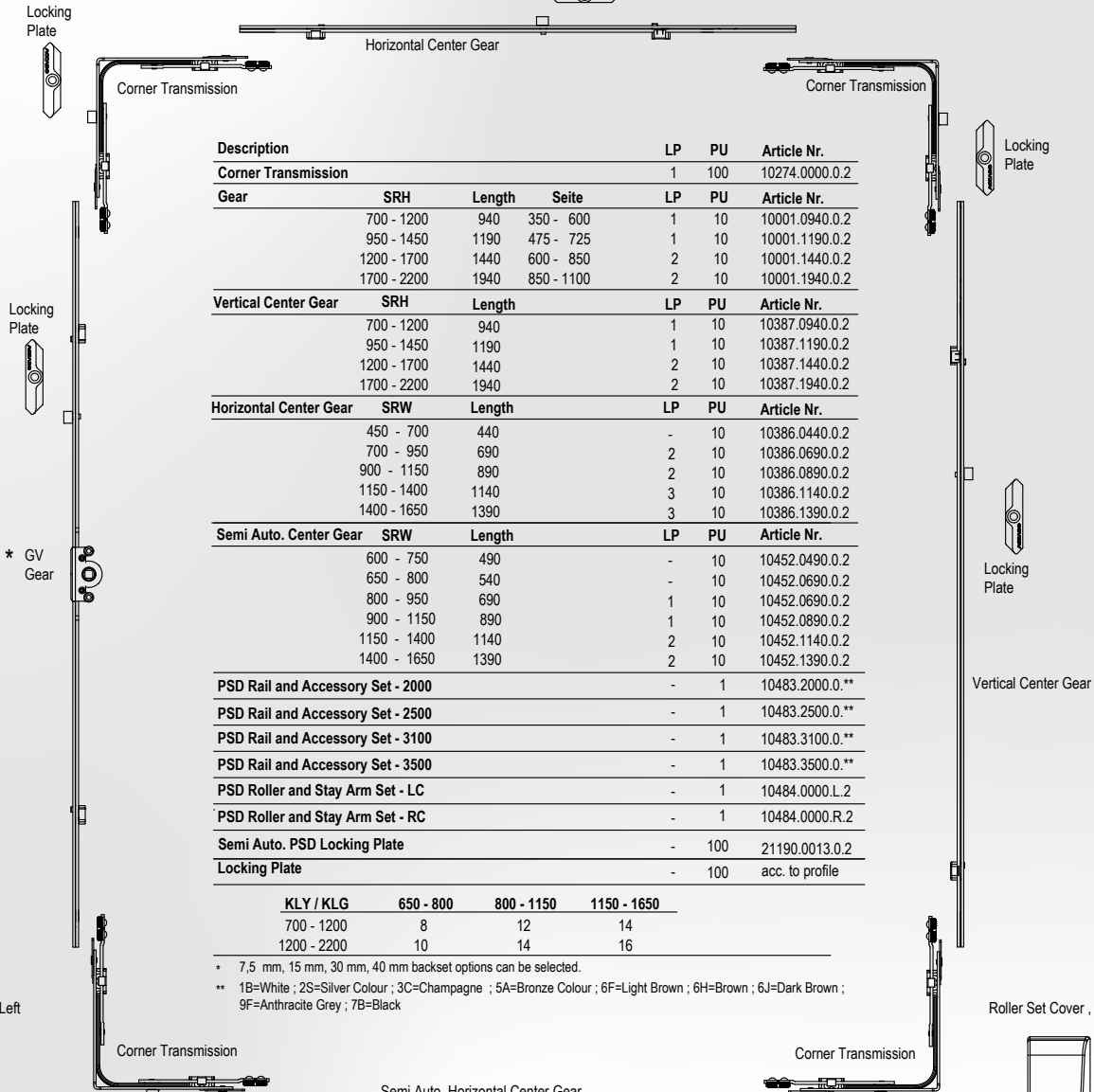
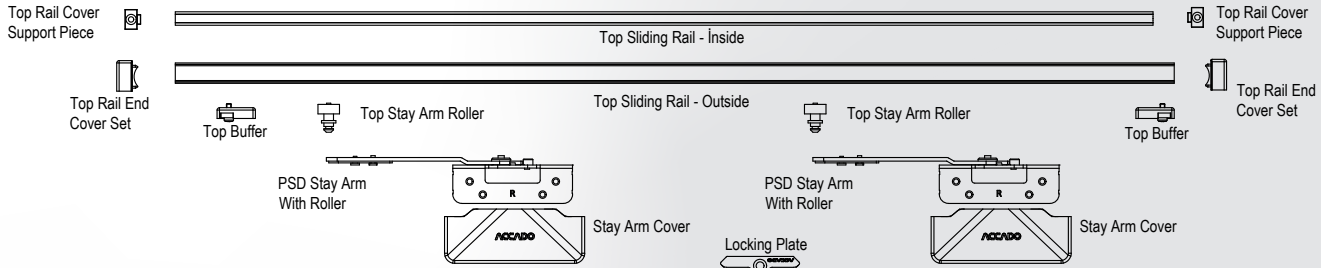
* 7,5 mm, 15 mm, 30 mm, 40 mm backset options can be selected.





PSD (Parallel Sliding Door) Rolling Upper System

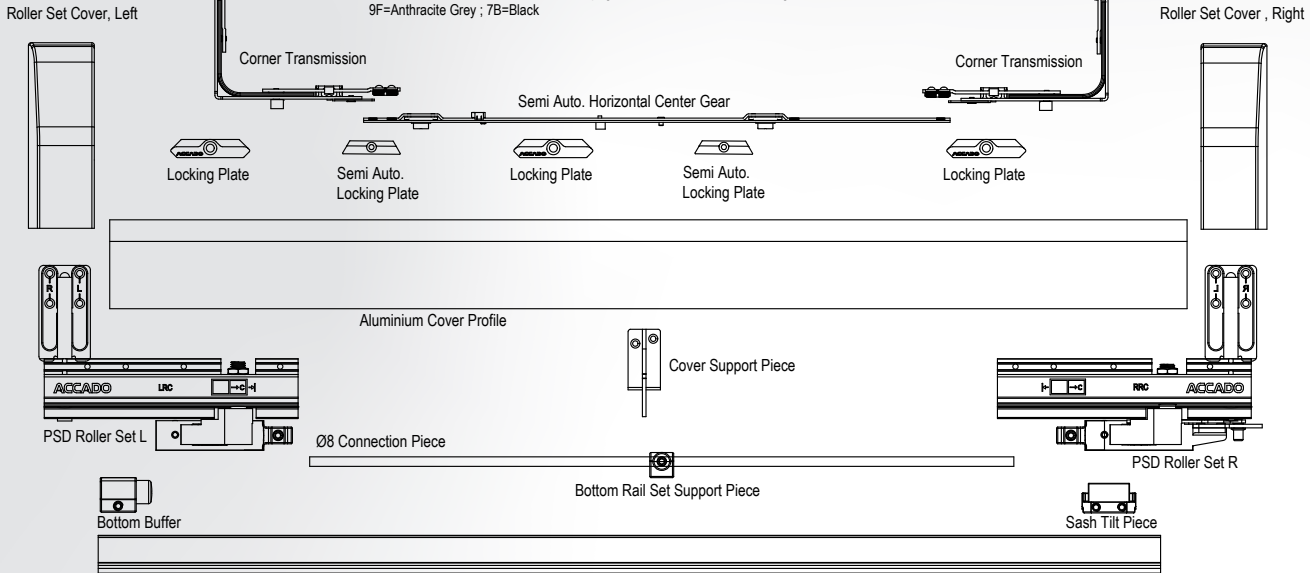
ACCADO



Description	LP	PU	Article Nr.		
Corner Transmission	1	100	10274.0000.0.2		
Gear	SRH	Length	Seite		
			LP		
			PU		
			Article Nr.		
700 - 1200	940	350 - 600	1	10	10001.0940.0.2
950 - 1450	1190	475 - 725	1	10	10001.1190.0.2
1200 - 1700	1440	600 - 850	2	10	10001.1440.0.2
1700 - 2200	1940	850 - 1100	2	10	10001.1940.0.2
Vertical Center Gear	SRH	Length	LP		
			PU		
			Article Nr.		
700 - 1200	940		1	10	10387.0940.0.2
950 - 1450	1190		1	10	10387.1190.0.2
1200 - 1700	1440		2	10	10387.1440.0.2
1700 - 2200	1940		2	10	10387.1940.0.2
Horizontal Center Gear	SRW	Length	LP		
			PU		
			Article Nr.		
450 - 700	440		-	10	10386.0440.0.2
700 - 950	690		2	10	10386.0690.0.2
900 - 1150	890		2	10	10386.0890.0.2
1150 - 1400	1140		3	10	10386.1140.0.2
1400 - 1650	1390		3	10	10386.1390.0.2
Semi Auto. Center Gear	SRW	Length	LP		
			PU		
			Article Nr.		
600 - 750	490		-	10	10452.0490.0.2
650 - 800	540		-	10	10452.0690.0.2
800 - 950	690		1	10	10452.0690.0.2
900 - 1150	890		1	10	10452.0890.0.2
1150 - 1400	1140		2	10	10452.1140.0.2
1400 - 1650	1390		2	10	10452.1390.0.2
PSD Rail and Accessory Set - 2000			-	1	10483.2000.0.**
PSD Rail and Accessory Set - 2500			-	1	10483.2500.0.**
PSD Rail and Accessory Set - 3100			-	1	10483.3100.0.**
PSD Rail and Accessory Set - 3500			-	1	10483.3500.0.**
PSD Roller and Stay Arm Set - LC			-	1	10484.0000.L.2
PSD Roller and Stay Arm Set - RC			-	1	10484.0000.R.2
Semi Auto. PSD Locking Plate			-	100	21190.0013.0.2
Locking Plate			-	100	acc. to profile

KLY / KLG	650 - 800	800 - 1150	1150 - 1650
700 - 1200	8	12	14
1200 - 2200	10	14	16

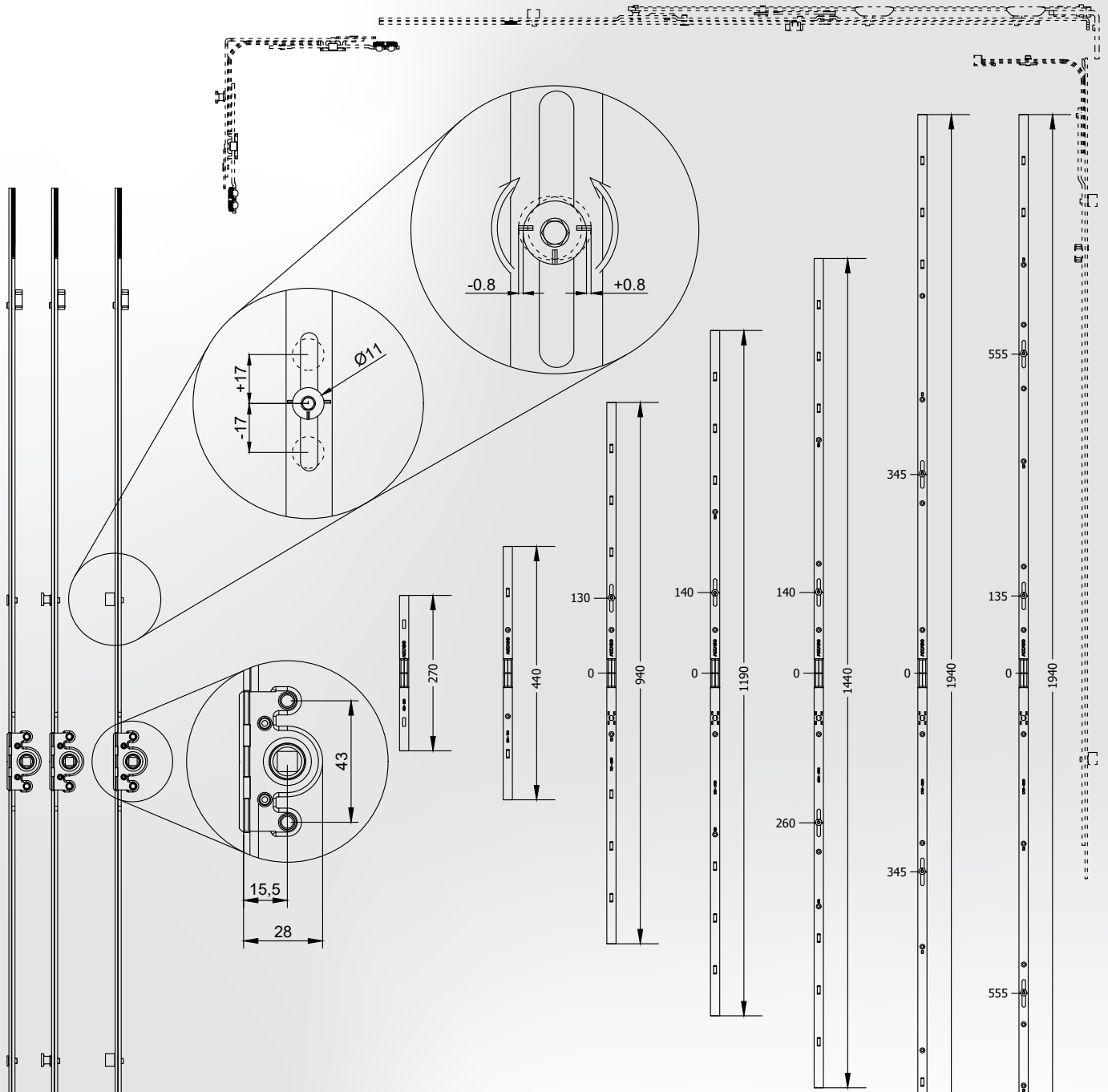
* 7,5 mm, 15 mm, 30 mm, 40 mm backset options can be selected.
 ** 1B=White ; 2S=Silver Colour ; 3C=Champagne ; 5A=Bronze Colour ; 6F=Light Brown ; 6H=Brown ; 6J=Dark Brown ; 9F=Anthracite Grey ; 7B=Black





Tilt & Turn GV Gear
15 mm Backset

ACCADO



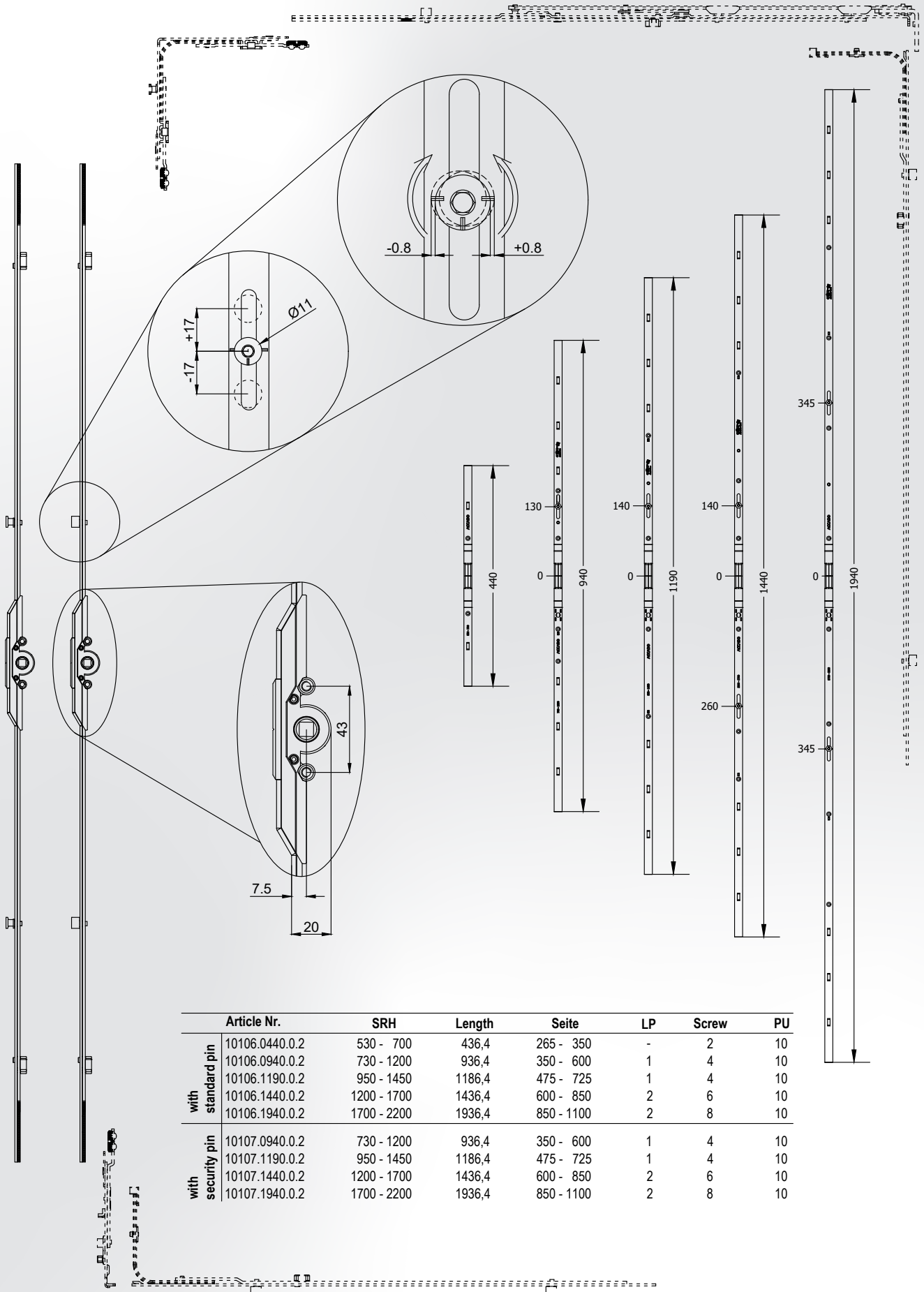
	Article Nr.	SRH	Length	Seite	LP	Screw	PU
with standard pin	10001.0270.0.2	440 - 530	270	210 - 265	-	-	10
	10001.0440.0.2	530 - 700	440	265 - 350	-	2	10
	10001.0940.0.2	700 - 1200	940	350 - 600	1	4	10
	10001.1190.0.2	950 - 1450	1190	475 - 725	1	4	10
	10001.1440.0.2	1200 - 1700	1440	600 - 850	2	6	10
	10001.1940.0.2	1700 - 2200	1940	850 - 1100	2	8	10
*	10466.1940.0.2	1700 - 2200	1940	850 - 1100	3	11	10
with security pin	10052.0940.0.2	700 - 1200	940	350 - 600	1	4	10
	10052.1190.0.2	950 - 1450	1190	475 - 725	1	4	10
	10052.1440.0.2	1200 - 1700	1440	600 - 850	2	6	10
	10052.1940.0.2	1700 - 2200	1940	850 - 1100	2	8	10
without pin	10001.0940.1.2	700 - 1200	940	350 - 600	-	4	10
	10001.1190.1.2	950 - 1450	1190	475 - 725	-	4	10
	10001.1440.1.2	1200 - 1700	1440	600 - 850	-	6	10
	10001.1940.1.2	1700 - 2200	1940	850 - 1100	-	8	10

* For special double sash applications.



Tilt & Turn GV Gear
7,5 mm Backset

ACCADO

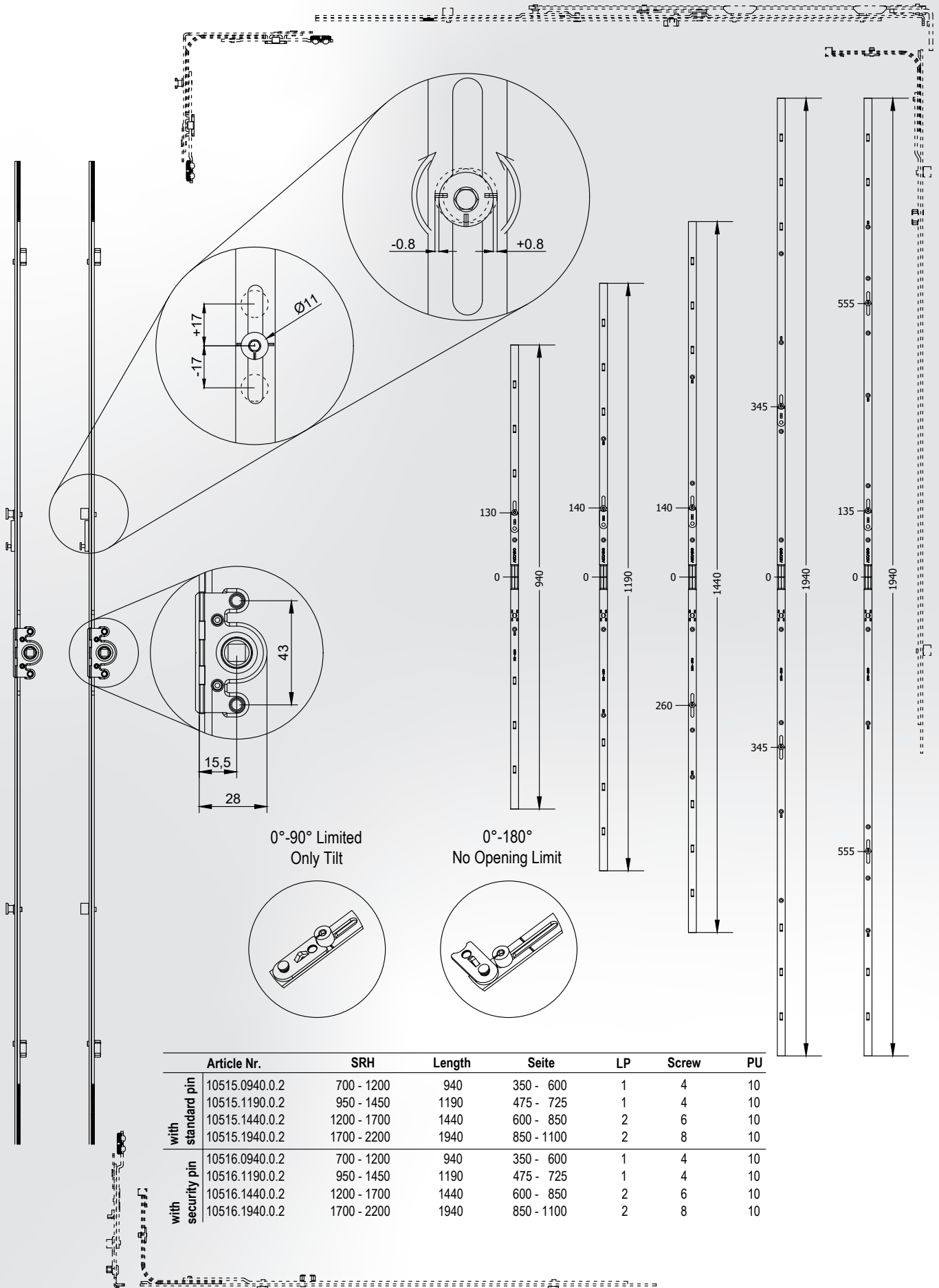


	Article Nr.	SRH	Length	Seite	LP	Screw	PU
with standard pin	10106.0440.0.2	530 - 700	436,4	265 - 350	-	2	10
	10106.0940.0.2	730 - 1200	936,4	350 - 600	1	4	10
	10106.1190.0.2	950 - 1450	1186,4	475 - 725	1	4	10
	10106.1440.0.2	1200 - 1700	1436,4	600 - 850	2	6	10
	10106.1940.0.2	1700 - 2200	1936,4	850 - 1100	2	8	10
with security pin	10107.0940.0.2	730 - 1200	936,4	350 - 600	1	4	10
	10107.1190.0.2	950 - 1450	1186,4	475 - 725	1	4	10
	10107.1440.0.2	1200 - 1700	1436,4	600 - 850	2	6	10
	10107.1940.0.2	1700 - 2200	1936,4	850 - 1100	2	8	10



First Tilt GV Gear
15 mm Backset

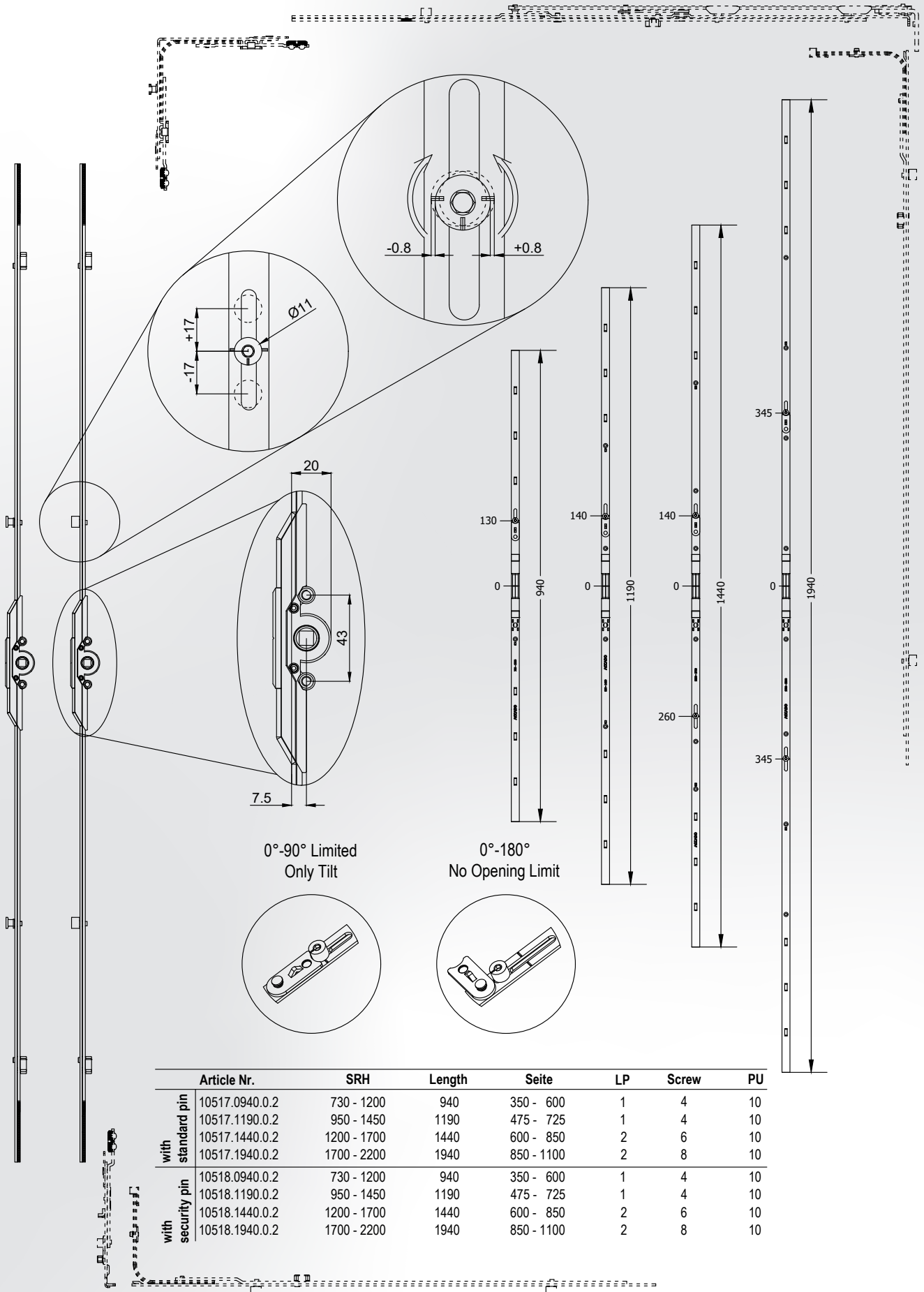
ACCADO





First Tilt GV Gear
7,5 mm Backset

ACCADO

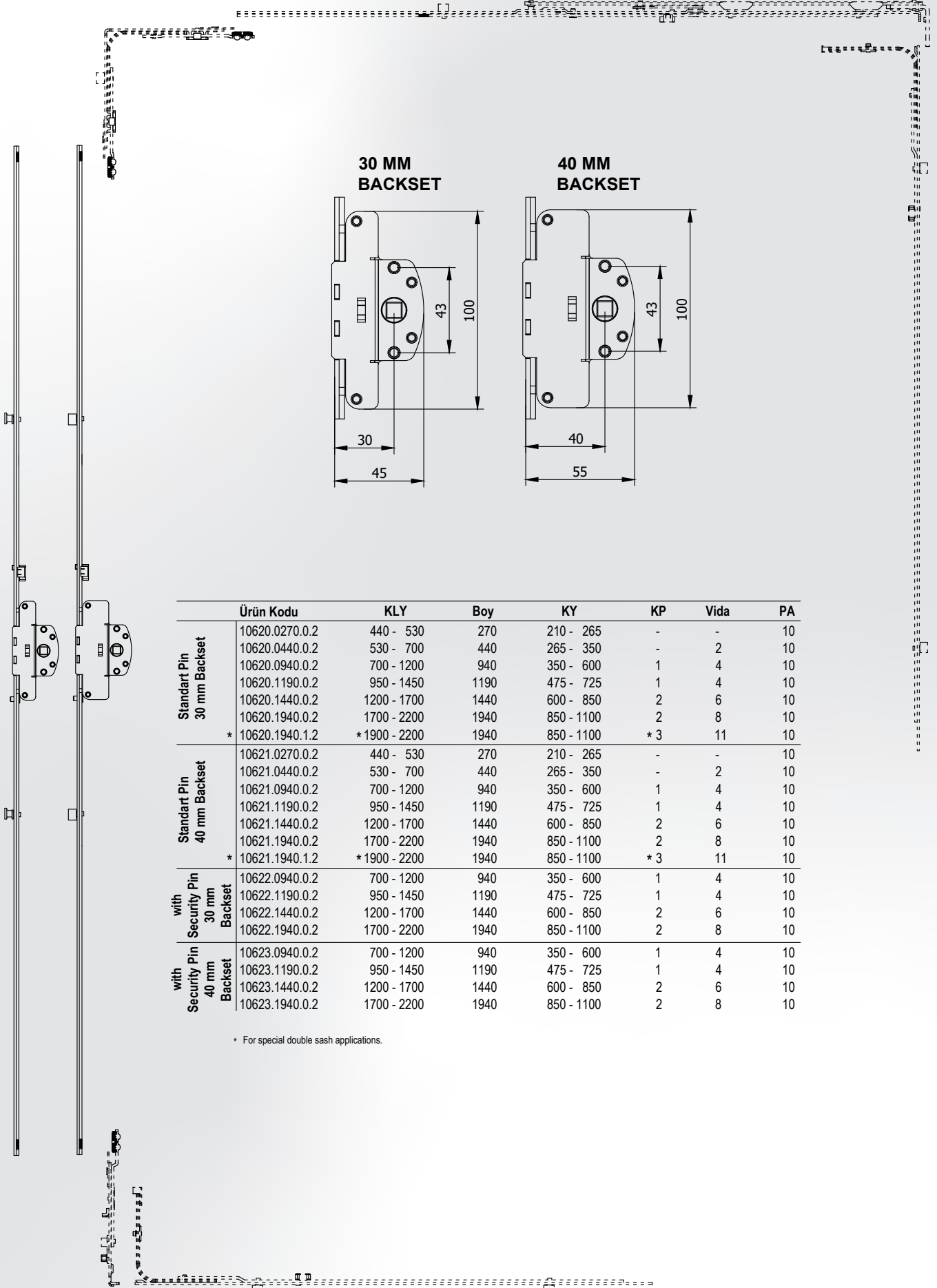


	Article Nr.	SRH	Length	Seite	LP	Screw	PU
with standard pin	10517.0940.0.2	730 - 1200	940	350 - 600	1	4	10
	10517.1190.0.2	950 - 1450	1190	475 - 725	1	4	10
	10517.1440.0.2	1200 - 1700	1440	600 - 850	2	6	10
	10517.1940.0.2	1700 - 2200	1940	850 - 1100	2	8	10
with security pin	10518.0940.0.2	730 - 1200	940	350 - 600	1	4	10
	10518.1190.0.2	950 - 1450	1190	475 - 725	1	4	10
	10518.1440.0.2	1200 - 1700	1440	600 - 850	2	6	10
	10518.1940.0.2	1700 - 2200	1940	850 - 1100	2	8	10



Tilt & Turn GV Gear 30 mm & 40 mm Backset

ACCADO



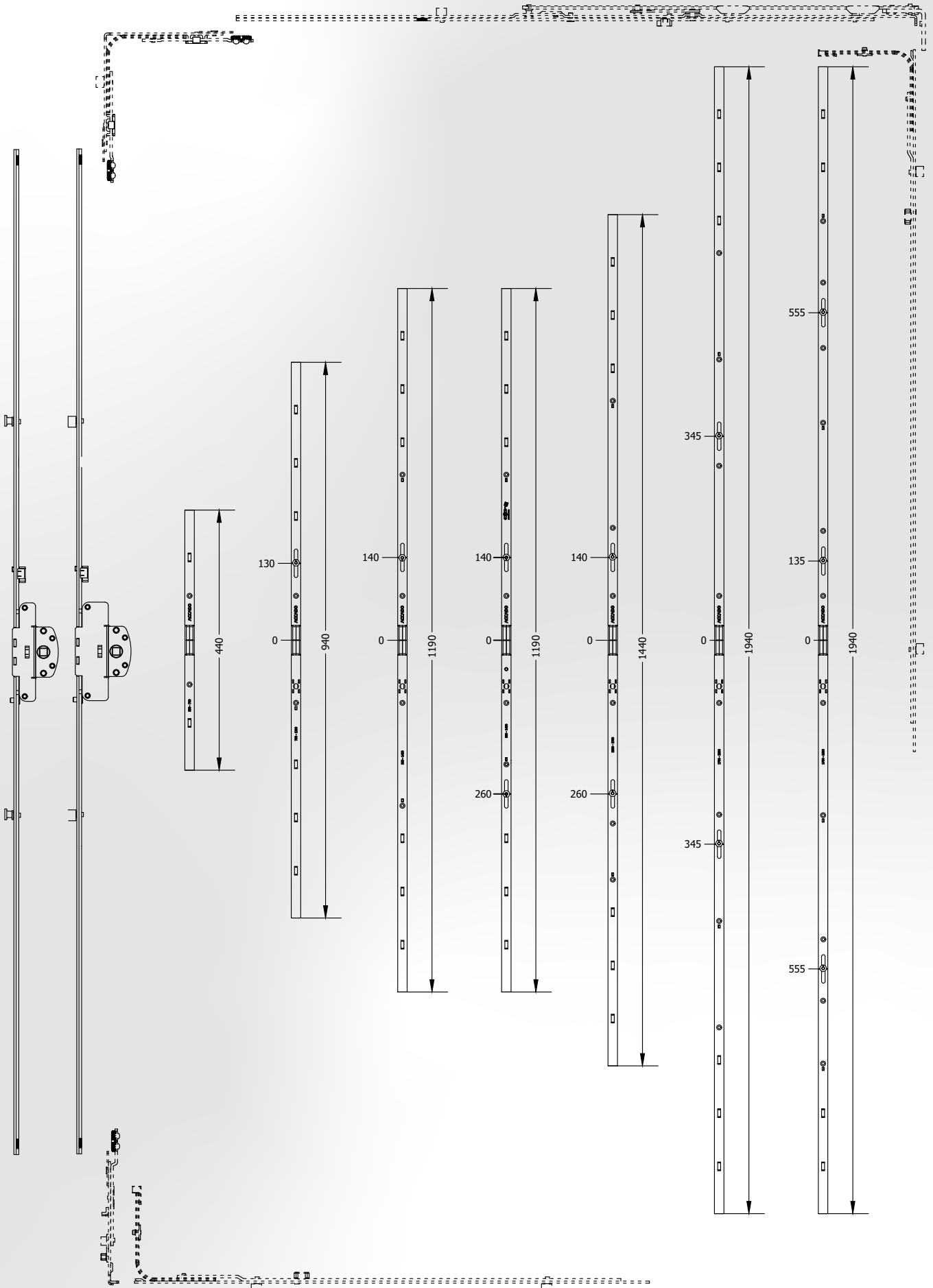
	Ürün Kodu	KLY	Boy	KY	KP	Vida	PA
Standart Pin 30 mm Backset	10620.0270.0.2	440 - 530	270	210 - 265	-	-	10
	10620.0440.0.2	530 - 700	440	265 - 350	-	2	10
	10620.0940.0.2	700 - 1200	940	350 - 600	1	4	10
	10620.1190.0.2	950 - 1450	1190	475 - 725	1	4	10
	10620.1440.0.2	1200 - 1700	1440	600 - 850	2	6	10
	10620.1940.0.2	1700 - 2200	1940	850 - 1100	2	8	10
	* 10620.1940.1.2	* 1900 - 2200	1940	850 - 1100	* 3	11	10
Standart Pin 40 mm Backset	10621.0270.0.2	440 - 530	270	210 - 265	-	-	10
	10621.0440.0.2	530 - 700	440	265 - 350	-	2	10
	10621.0940.0.2	700 - 1200	940	350 - 600	1	4	10
	10621.1190.0.2	950 - 1450	1190	475 - 725	1	4	10
	10621.1440.0.2	1200 - 1700	1440	600 - 850	2	6	10
	10621.1940.0.2	1700 - 2200	1940	850 - 1100	2	8	10
	* 10621.1940.1.2	* 1900 - 2200	1940	850 - 1100	* 3	11	10
with Security Pin 30 mm Backset	10622.0940.0.2	700 - 1200	940	350 - 600	1	4	10
	10622.1190.0.2	950 - 1450	1190	475 - 725	1	4	10
	10622.1440.0.2	1200 - 1700	1440	600 - 850	2	6	10
	10622.1940.0.2	1700 - 2200	1940	850 - 1100	2	8	10
with Security Pin 40 mm Backset	10623.0940.0.2	700 - 1200	940	350 - 600	1	4	10
	10623.1190.0.2	950 - 1450	1190	475 - 725	1	4	10
	10623.1440.0.2	1200 - 1700	1440	600 - 850	2	6	10
	10623.1940.0.2	1700 - 2200	1940	850 - 1100	2	8	10

* For special double sash applications.



Tilt & Turn GV Gear 30
mm & 40 mm Backset

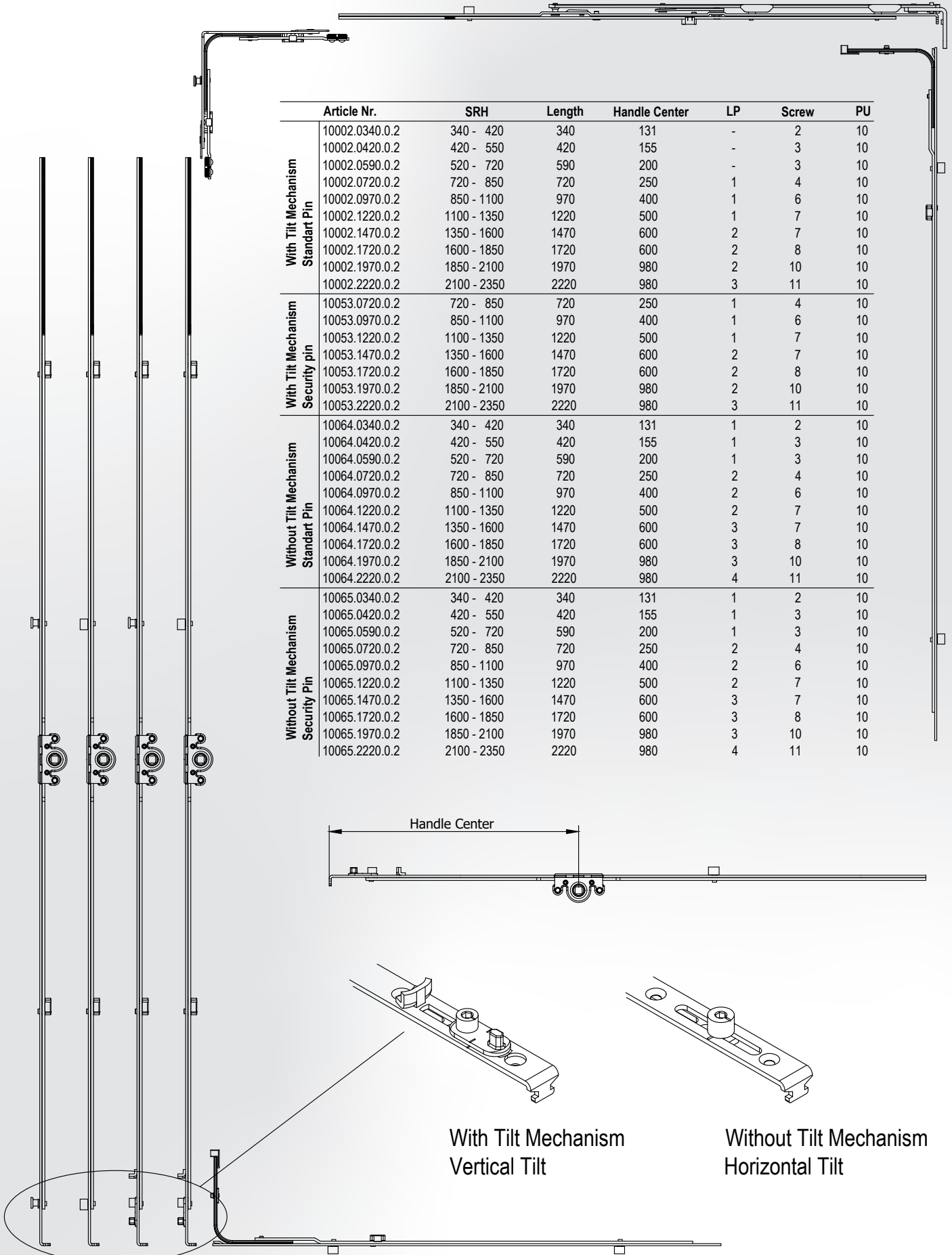
ACCADO





Tilt & Turn Fixed Handle Position Gear
15 mm Backset

ACCADO



	Article Nr.	SRH	Length	Handle Center	LP	Screw	PU
With Tilt Mechanism Standart Pin	10002.0340.0.2	340 - 420	340	131	-	2	10
	10002.0420.0.2	420 - 550	420	155	-	3	10
	10002.0590.0.2	520 - 720	590	200	-	3	10
	10002.0720.0.2	720 - 850	720	250	1	4	10
	10002.0970.0.2	850 - 1100	970	400	1	6	10
	10002.1220.0.2	1100 - 1350	1220	500	1	7	10
	10002.1470.0.2	1350 - 1600	1470	600	2	7	10
	10002.1720.0.2	1600 - 1850	1720	600	2	8	10
	10002.1970.0.2	1850 - 2100	1970	980	2	10	10
	10002.2220.0.2	2100 - 2350	2220	980	3	11	10
With Tilt Mechanism Security pin	10053.0720.0.2	720 - 850	720	250	1	4	10
	10053.0970.0.2	850 - 1100	970	400	1	6	10
	10053.1220.0.2	1100 - 1350	1220	500	1	7	10
	10053.1470.0.2	1350 - 1600	1470	600	2	7	10
	10053.1720.0.2	1600 - 1850	1720	600	2	8	10
	10053.1970.0.2	1850 - 2100	1970	980	2	10	10
	10053.2220.0.2	2100 - 2350	2220	980	3	11	10
Without Tilt Mechanism Standart Pin	10064.0340.0.2	340 - 420	340	131	1	2	10
	10064.0420.0.2	420 - 550	420	155	1	3	10
	10064.0590.0.2	520 - 720	590	200	1	3	10
	10064.0720.0.2	720 - 850	720	250	2	4	10
	10064.0970.0.2	850 - 1100	970	400	2	6	10
	10064.1220.0.2	1100 - 1350	1220	500	2	7	10
	10064.1470.0.2	1350 - 1600	1470	600	3	7	10
	10064.1720.0.2	1600 - 1850	1720	600	3	8	10
	10064.1970.0.2	1850 - 2100	1970	980	3	10	10
	10064.2220.0.2	2100 - 2350	2220	980	4	11	10
Without Tilt Mechanism Security Pin	10065.0340.0.2	340 - 420	340	131	1	2	10
	10065.0420.0.2	420 - 550	420	155	1	3	10
	10065.0590.0.2	520 - 720	590	200	1	3	10
	10065.0720.0.2	720 - 850	720	250	2	4	10
	10065.0970.0.2	850 - 1100	970	400	2	6	10
	10065.1220.0.2	1100 - 1350	1220	500	2	7	10
	10065.1470.0.2	1350 - 1600	1470	600	3	7	10
	10065.1720.0.2	1600 - 1850	1720	600	3	8	10
	10065.1970.0.2	1850 - 2100	1970	980	3	10	10
	10065.2220.0.2	2100 - 2350	2220	980	4	11	10

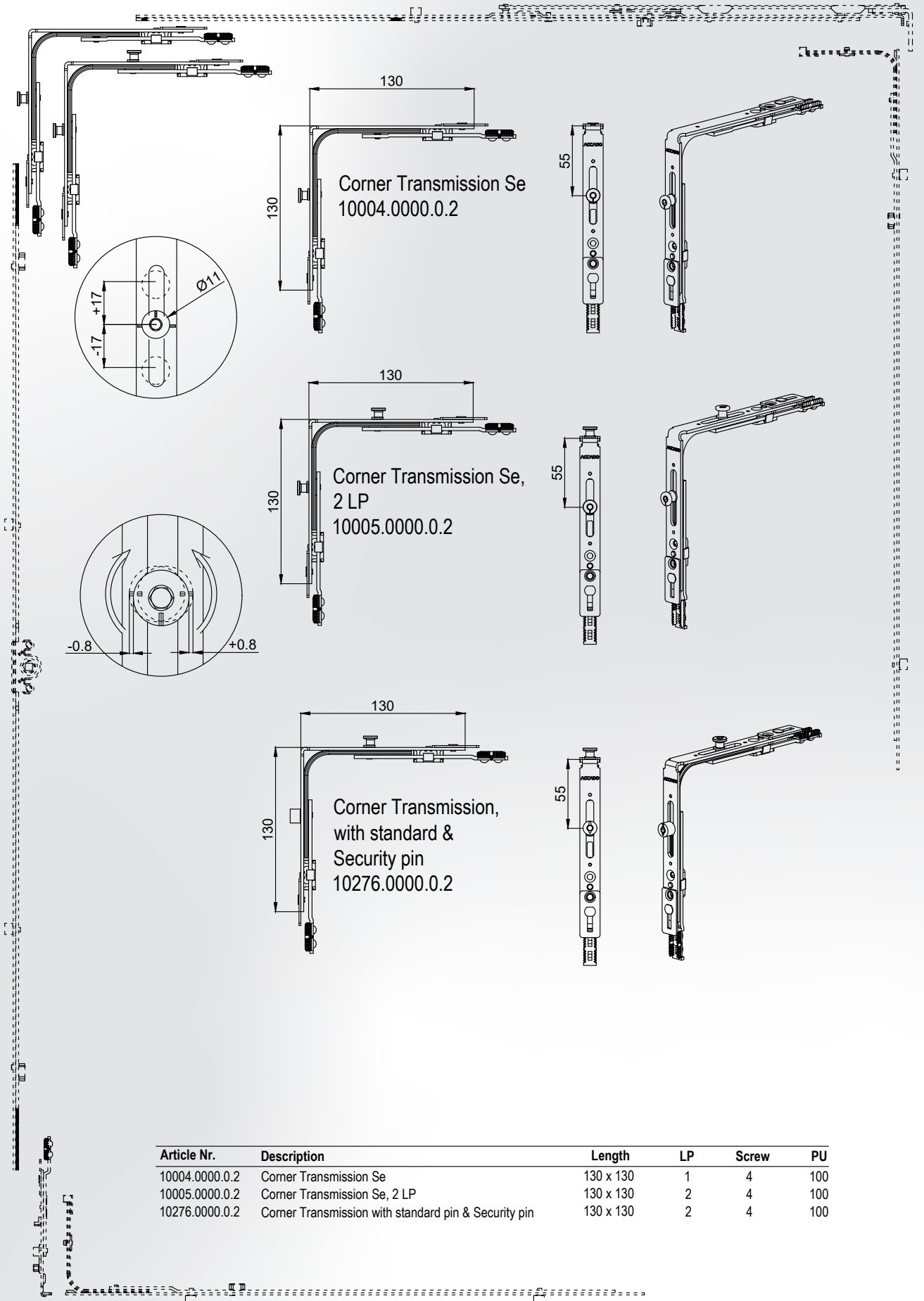
With Tilt Mechanism
Vertical Tilt

Without Tilt Mechanism
Horizontal Tilt



Corner Transmission

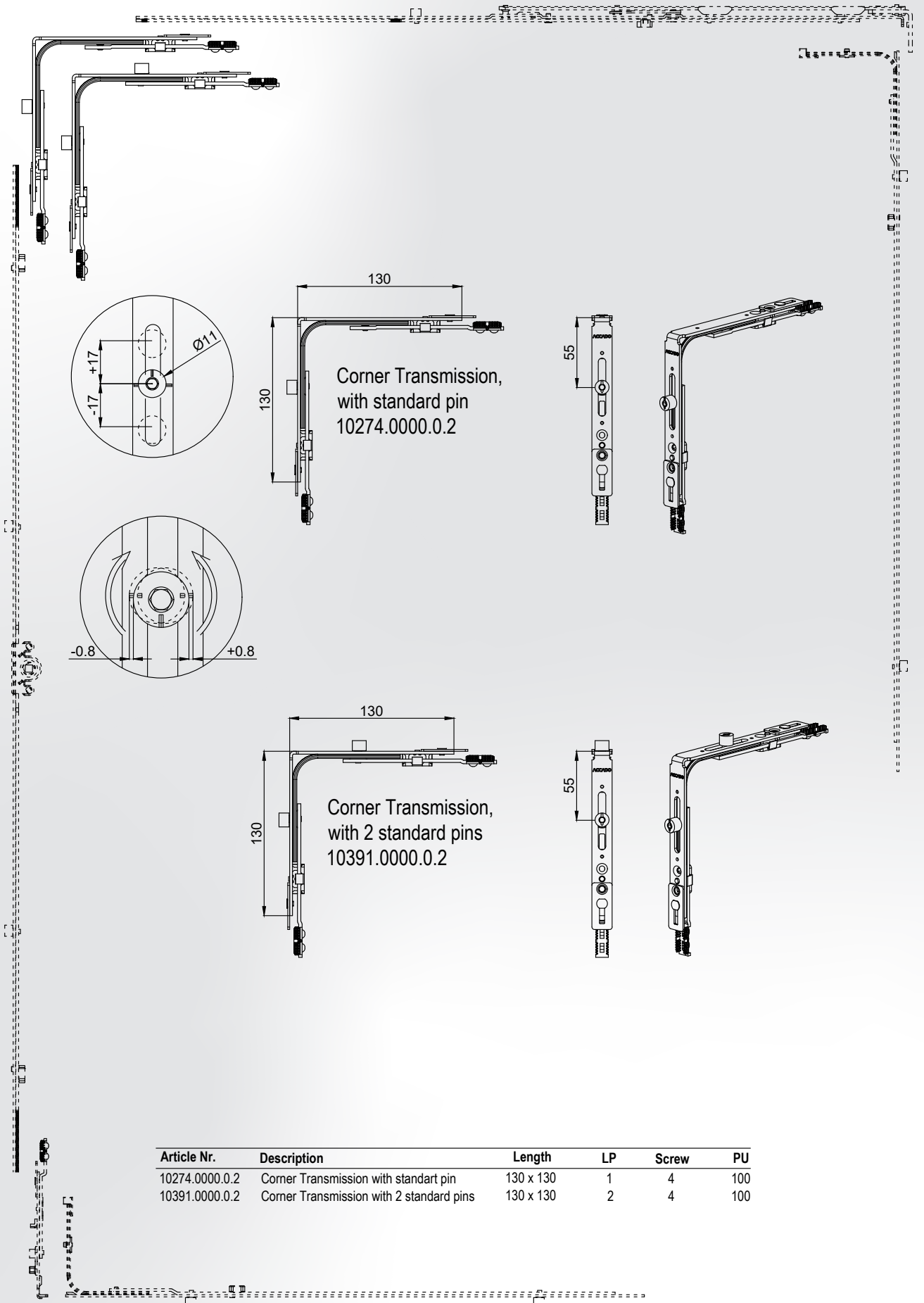
ACCADO



Article Nr.	Description	Length	LP	Screw	PU
10004.0000.0.2	Corner Transmission Se	130 x 130	1	4	100
10005.0000.0.2	Corner Transmission Se, 2 LP	130 x 130	2	4	100
10276.0000.0.2	Corner Transmission with standard pin & Security pin	130 x 130	2	4	100



Corner Transmission

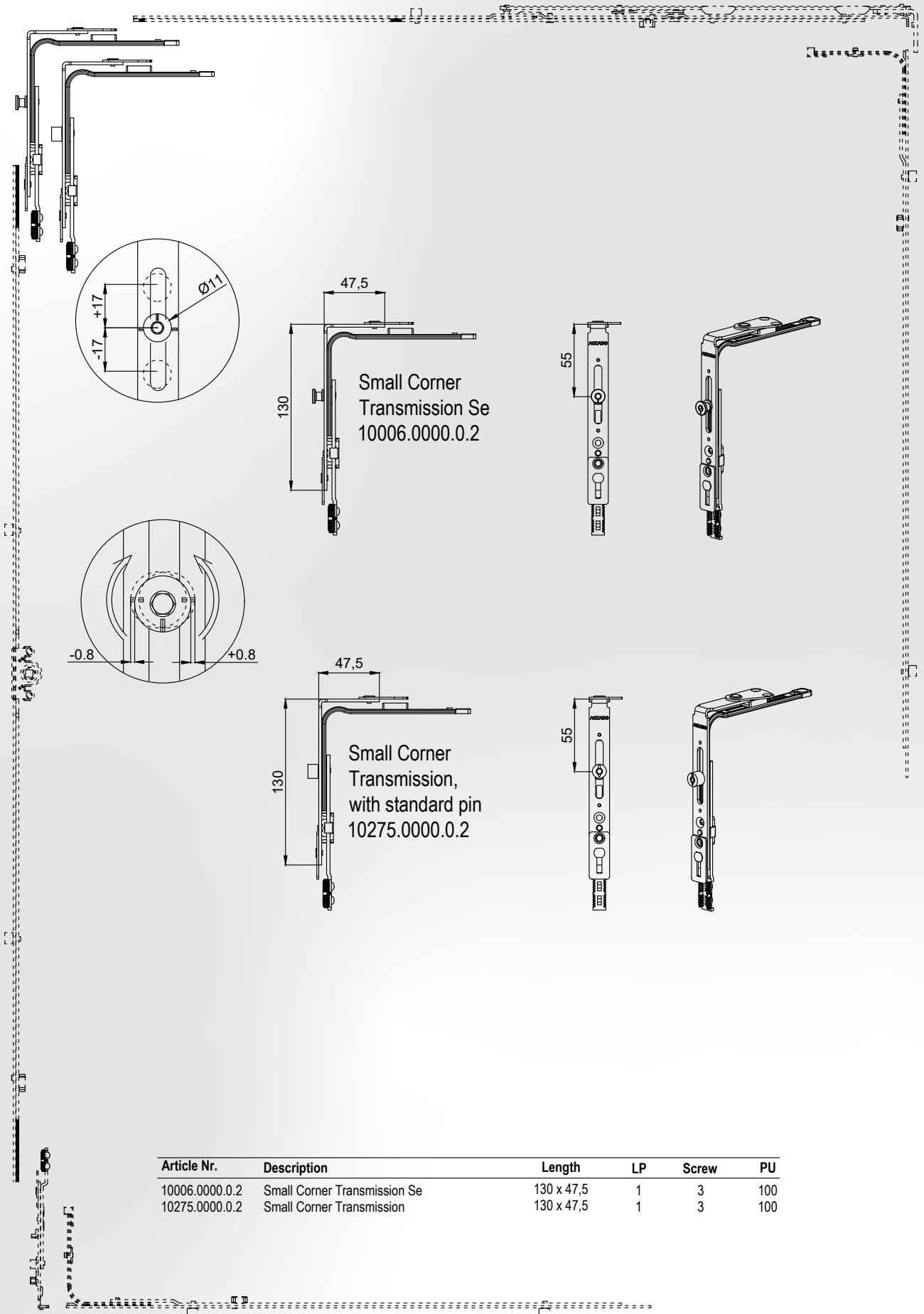


Article Nr.	Description	Length	LP	Screw	PU
10274.0000.0.2	Corner Transmission with standart pin	130 x 130	1	4	100
10391.0000.0.2	Corner Transmission with 2 standart pins	130 x 130	2	4	100

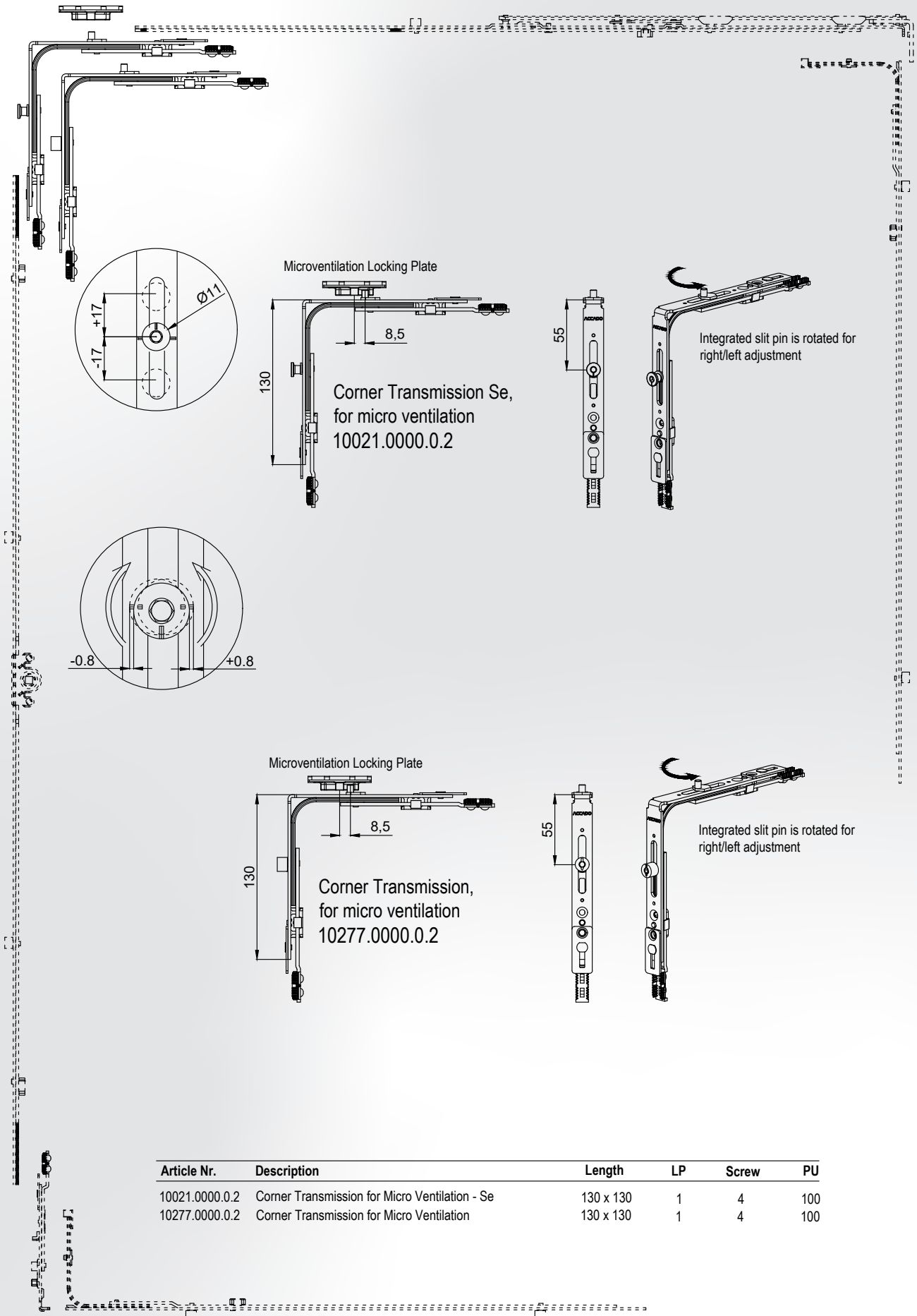


Small Corner Transmission

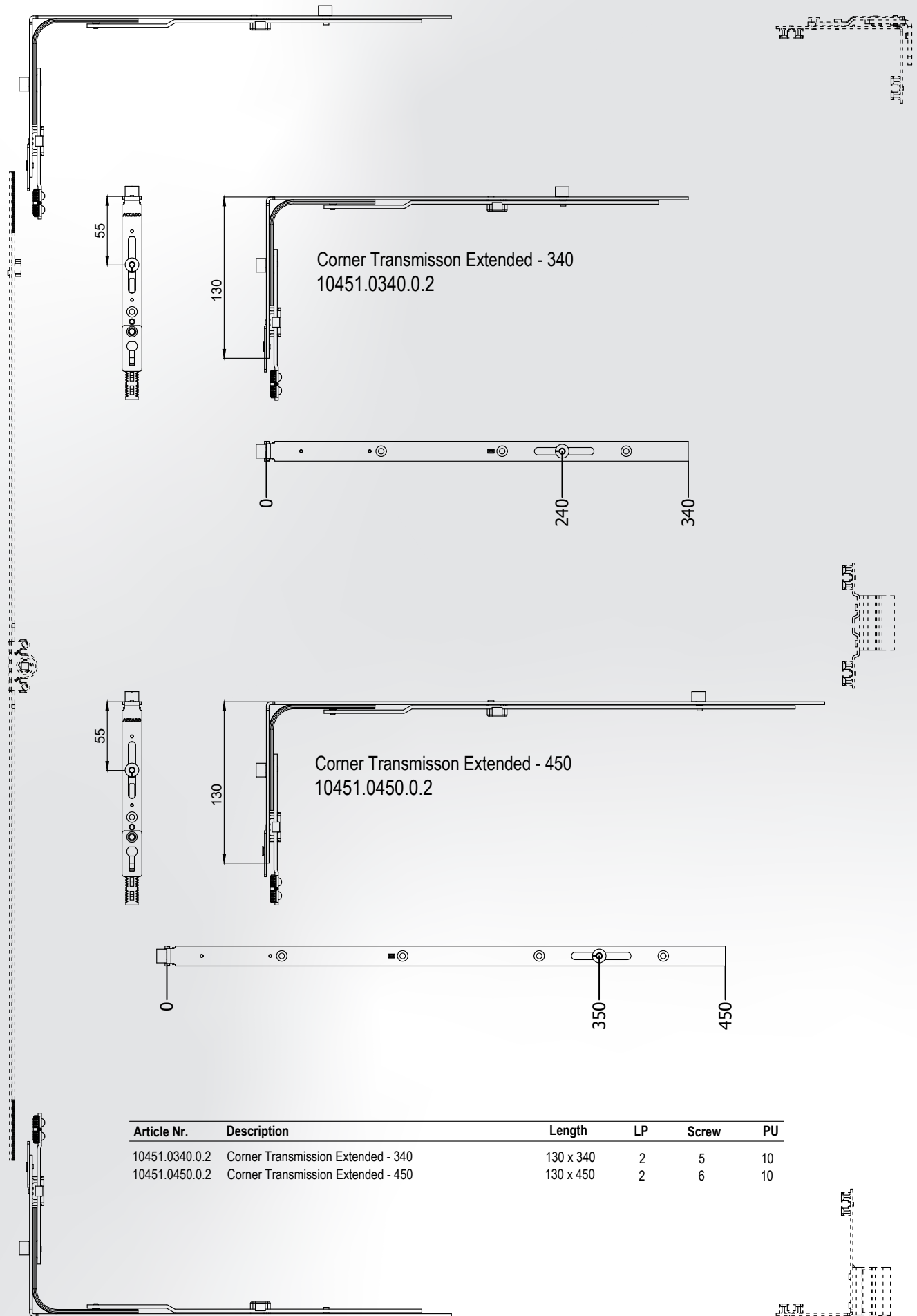
ACCADO



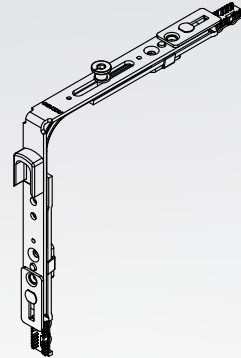
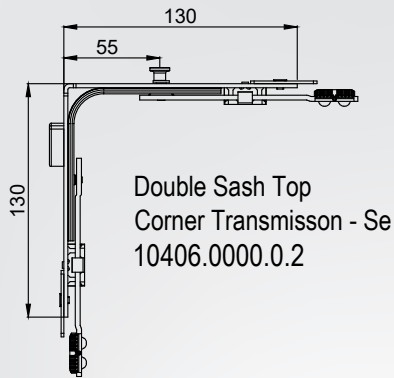
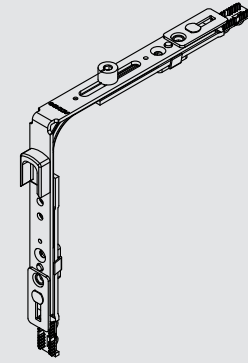
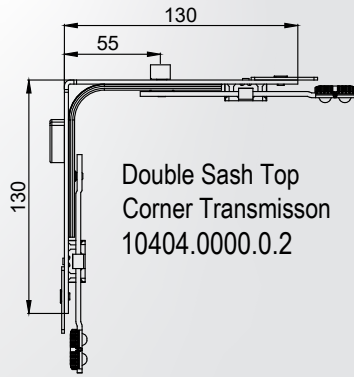
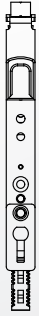
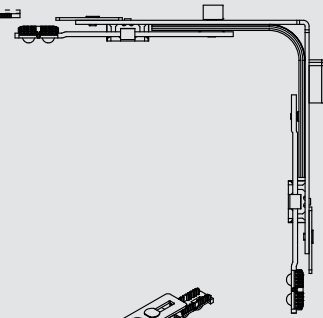
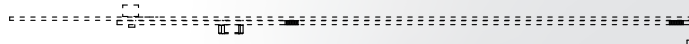
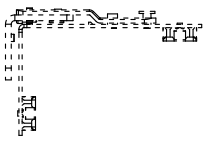
Article Nr.	Description	Length	LP	Screw	PU
10006.0000.0.2	Small Corner Transmission Se	130 x 47,5	1	3	100
10275.0000.0.2	Small Corner Transmission	130 x 47,5	1	3	100



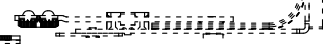
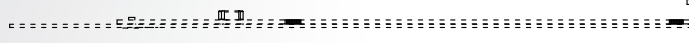
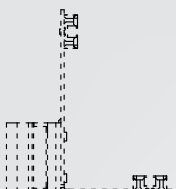
Article Nr.	Description	Length	LP	Screw	PU
10021.0000.0.2	Corner Transmission for Micro Ventilation - Se	130 x 130	1	4	100
10277.0000.0.2	Corner Transmission for Micro Ventilation	130 x 130	1	4	100

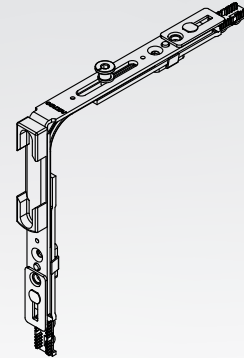
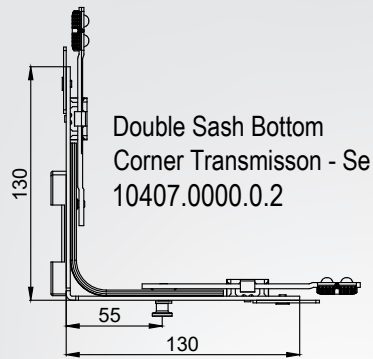
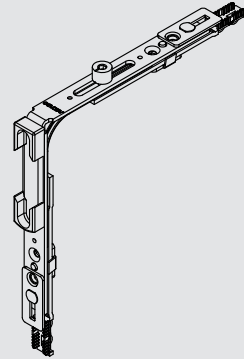
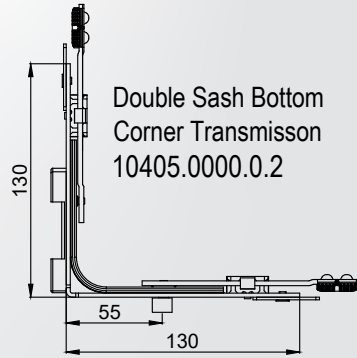
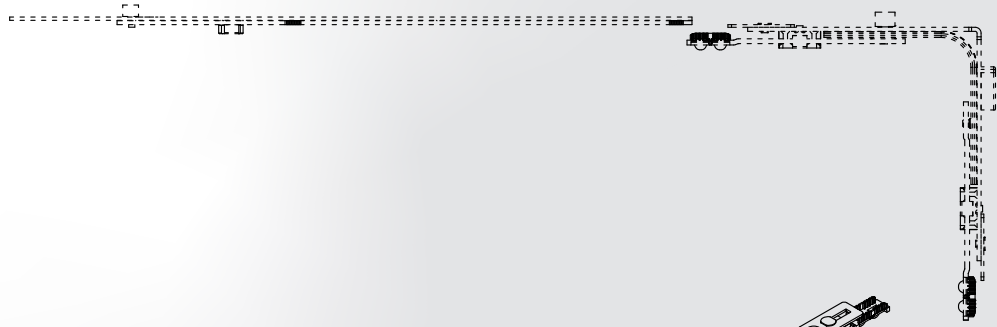
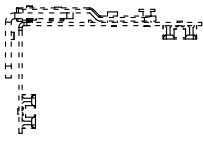


Article Nr.	Description	Length	LP	Screw	PU
10451.0340.0.2	Corner Transmission Extended - 340	130 x 340	2	5	10
10451.0450.0.2	Corner Transmission Extended - 450	130 x 450	2	6	10

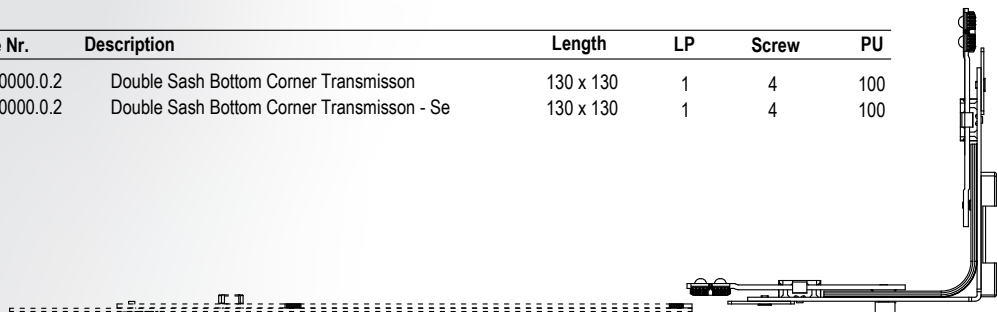


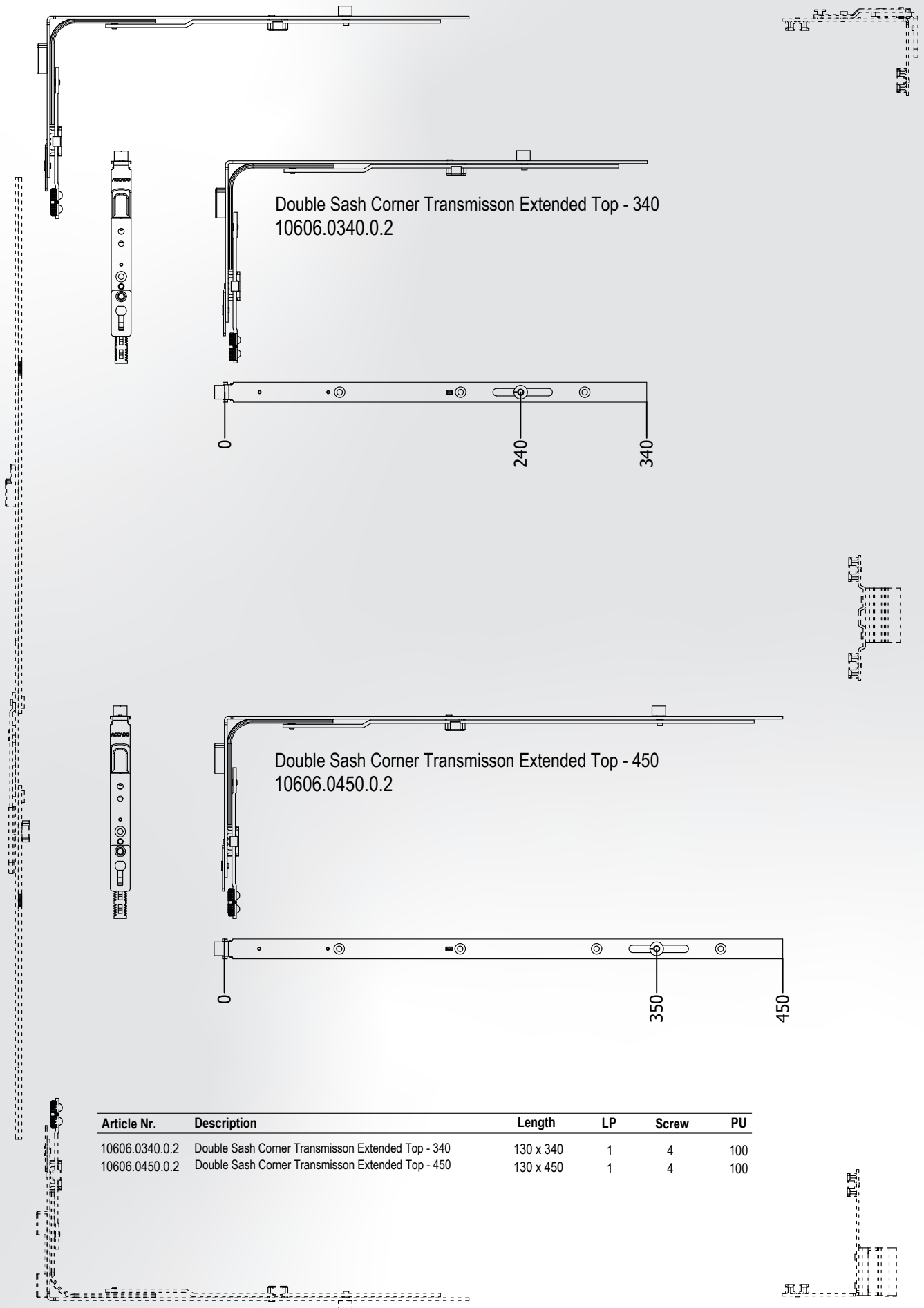
Article Nr.	Description	Length	LP	Screw	PU
10404.0000.0.2	Double Sash Top Corner Transmisson	130 x 130	1	4	100
10406.0000.0.2	Double Sash Top Corner Transmisson - Se	130 x 130	1	4	100



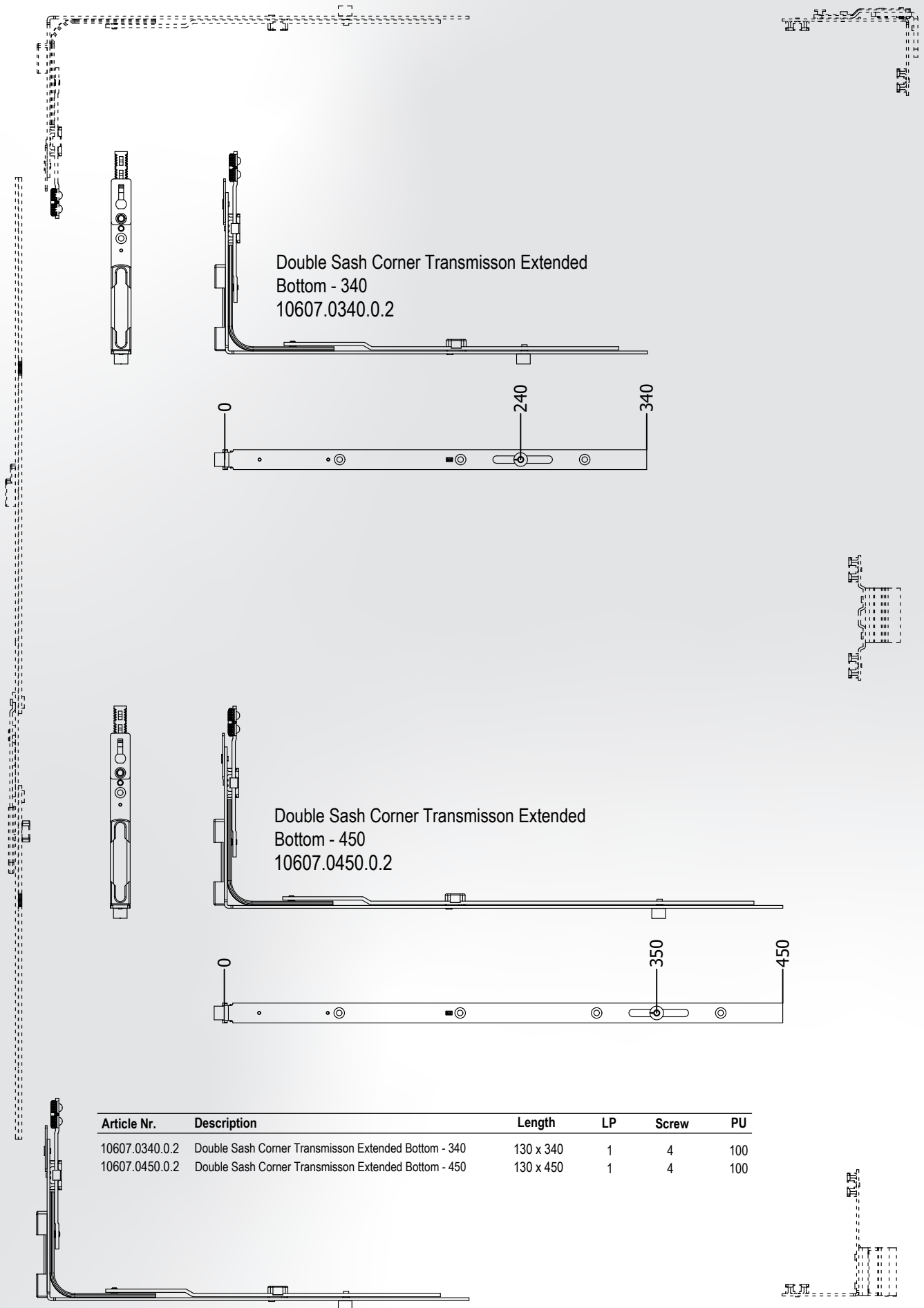


Article Nr.	Description	Length	LP	Screw	PU
10405.0000.0.2	Double Sash Bottom Corner Transmisson	130 x 130	1	4	100
10407.0000.0.2	Double Sash Bottom Corner Transmisson - Se	130 x 130	1	4	100





Article Nr.	Description	Length	LP	Screw	PU
10606.0340.0.2	Double Sash Corner Transmisson Extended Top - 340	130 x 340	1	4	100
10606.0450.0.2	Double Sash Corner Transmisson Extended Top - 450	130 x 450	1	4	100

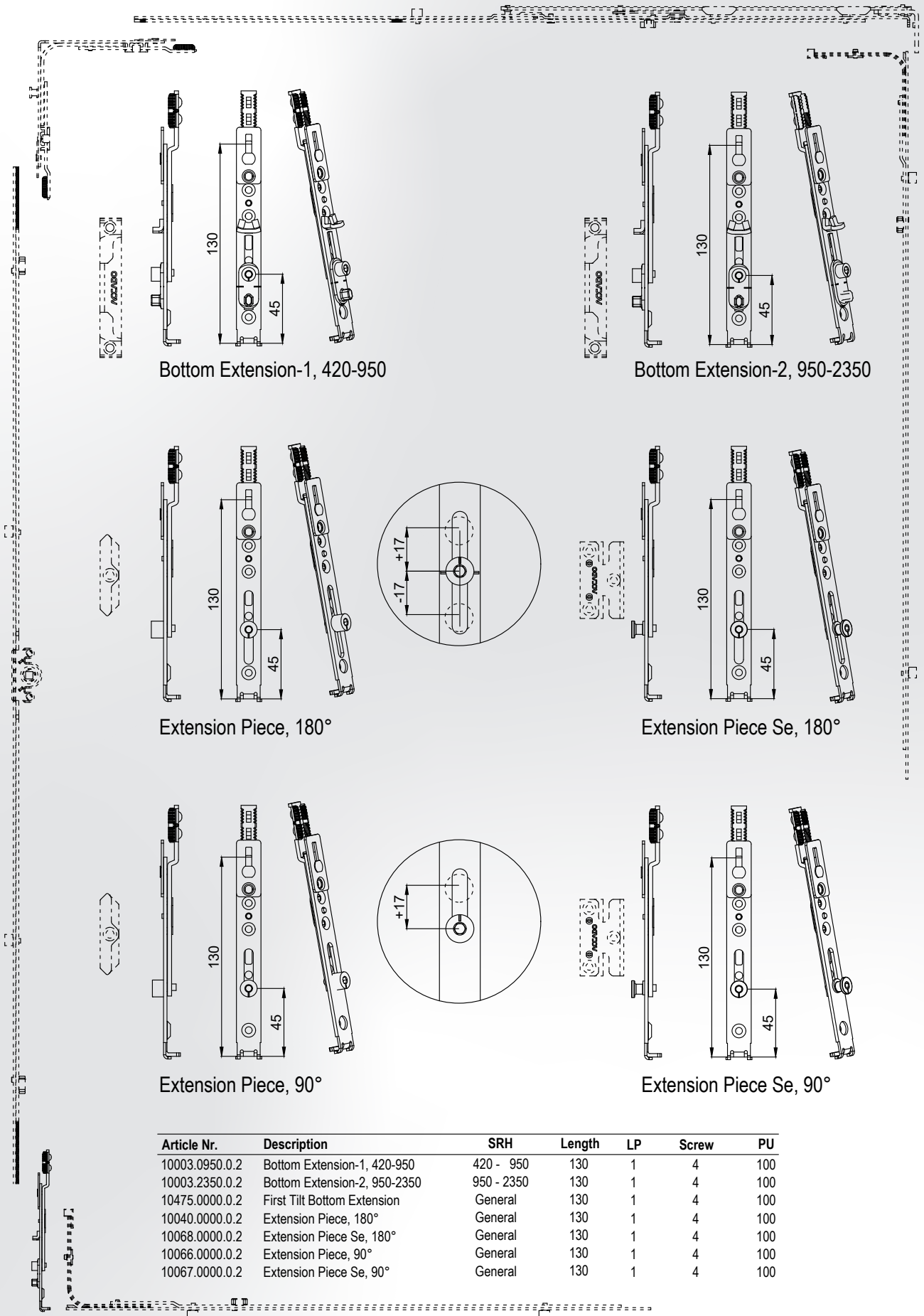


Article Nr.	Description	Length	LP	Screw	PU
10607.0340.0.2	Double Sash Corner Transmisson Extended Bottom - 340	130 x 340	1	4	100
10607.0450.0.2	Double Sash Corner Transmisson Extended Bottom - 450	130 x 450	1	4	100



Bottom Extensions

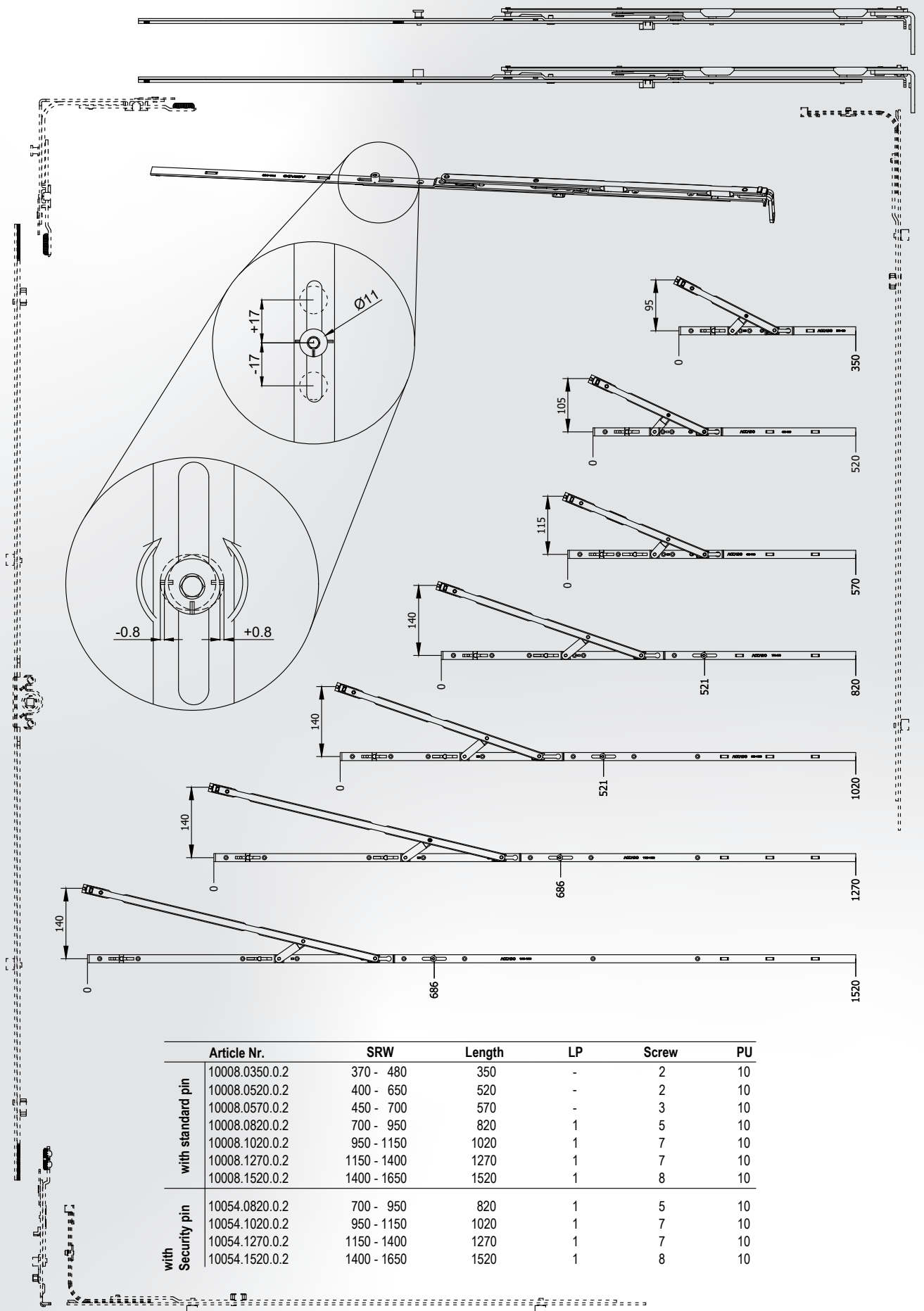
ACCADO





Stay Arm

ACCADO

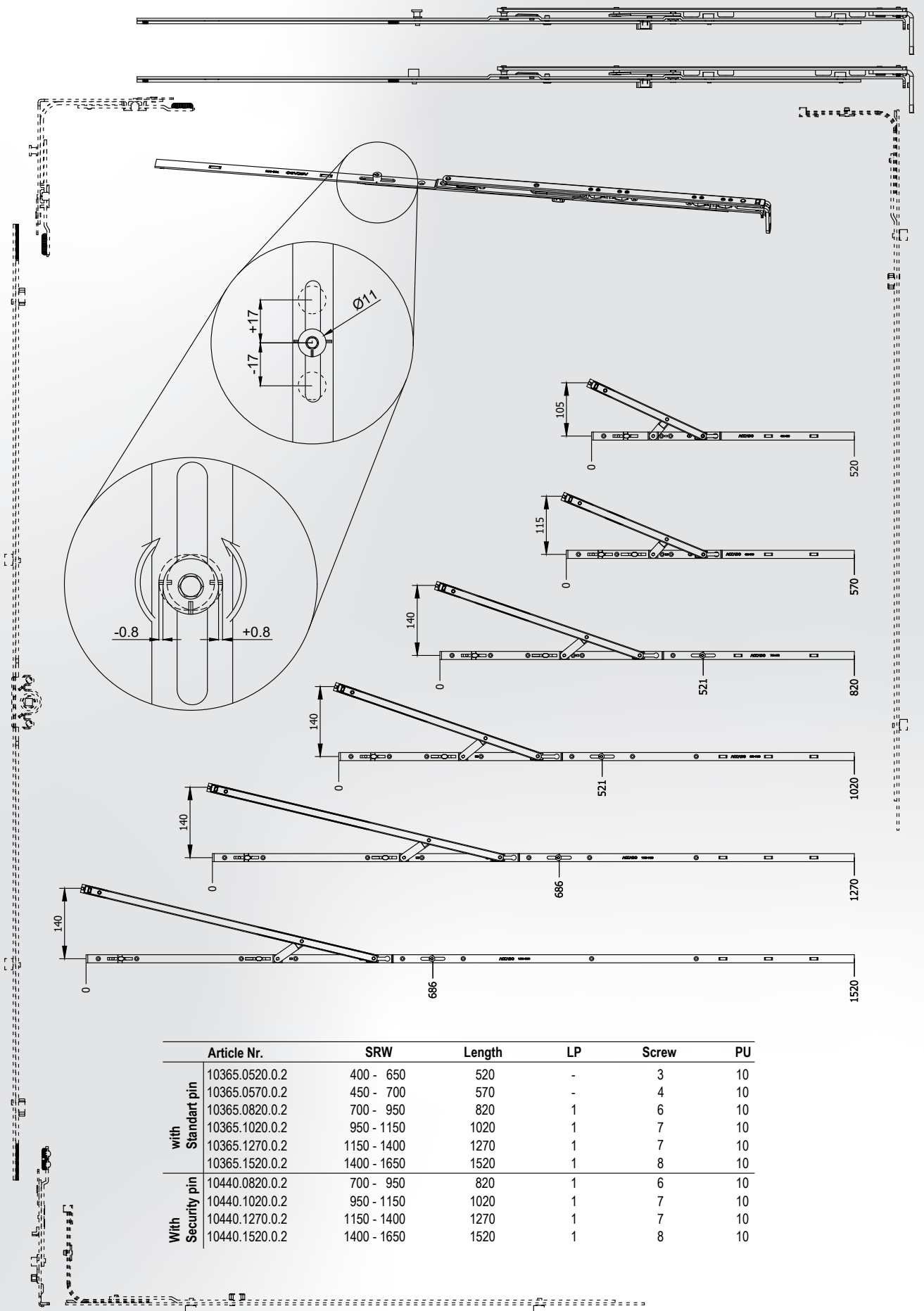


	Article Nr.	SRW	Length	LP	Screw	PU
with standard pin	10008.0350.0.2	370 - 480	350	-	2	10
	10008.0520.0.2	400 - 650	520	-	2	10
	10008.0570.0.2	450 - 700	570	-	3	10
	10008.0820.0.2	700 - 950	820	1	5	10
	10008.1020.0.2	950 - 1150	1020	1	7	10
	10008.1270.0.2	1150 - 1400	1270	1	7	10
	10008.1520.0.2	1400 - 1650	1520	1	8	10
with Security pin	10054.0820.0.2	700 - 950	820	1	5	10
	10054.1020.0.2	950 - 1150	1020	1	7	10
	10054.1270.0.2	1150 - 1400	1270	1	7	10
	10054.1520.0.2	1400 - 1650	1520	1	8	10



First Tilt Stay Arm

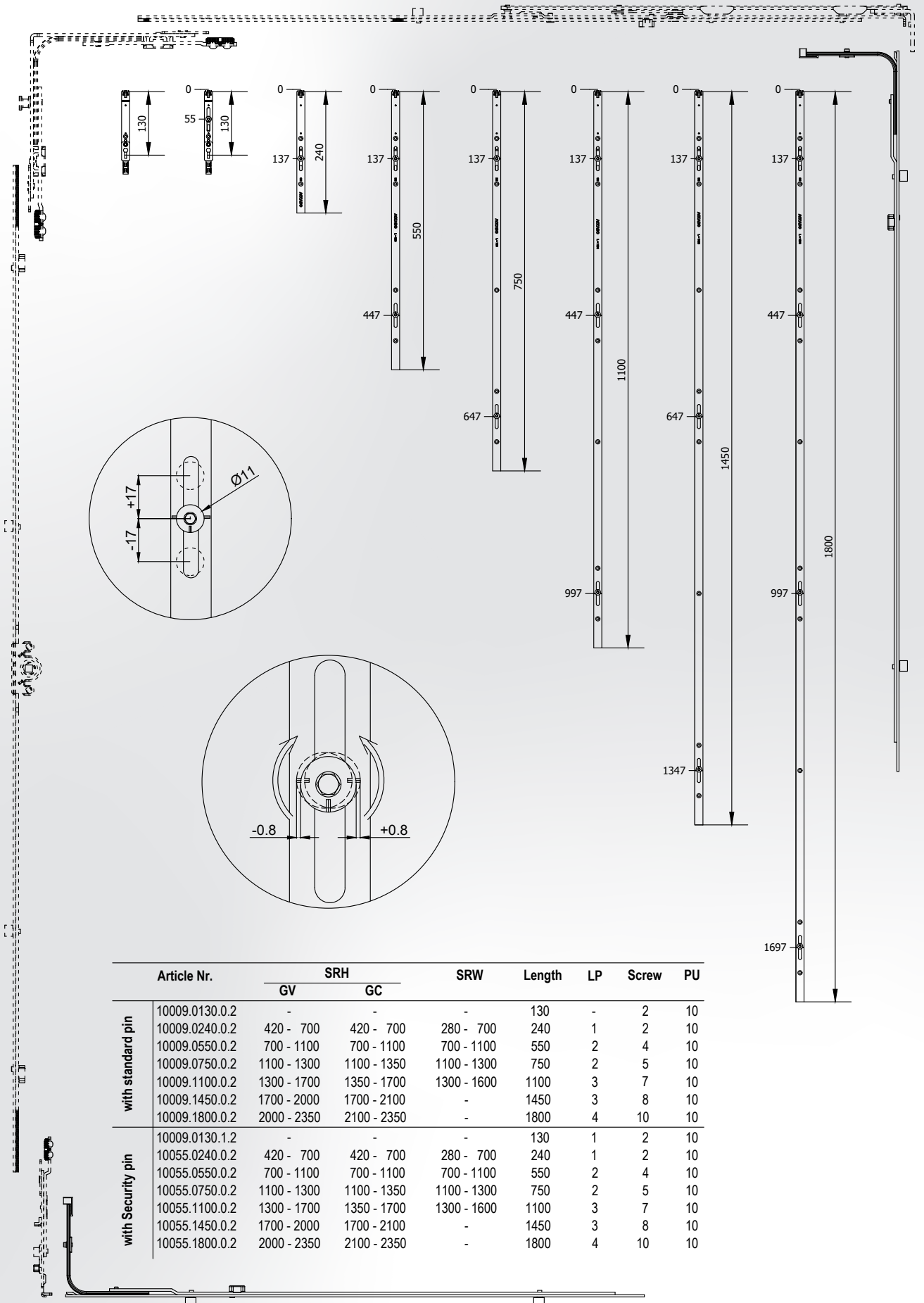
ACCADO



	Article Nr.	SRW	Length	LP	Screw	PU
with Standart pin	10365.0520.0.2	400 - 650	520	-	3	10
	10365.0570.0.2	450 - 700	570	-	4	10
	10365.0820.0.2	700 - 950	820	1	6	10
	10365.1020.0.2	950 - 1150	1020	1	7	10
	10365.1270.0.2	1150 - 1400	1270	1	7	10
	10365.1520.0.2	1400 - 1650	1520	1	8	10
With Security pin	10440.0820.0.2	700 - 950	820	1	6	10
	10440.1020.0.2	950 - 1150	1020	1	7	10
	10440.1270.0.2	1150 - 1400	1270	1	7	10
	10440.1520.0.2	1400 - 1650	1520	1	8	10

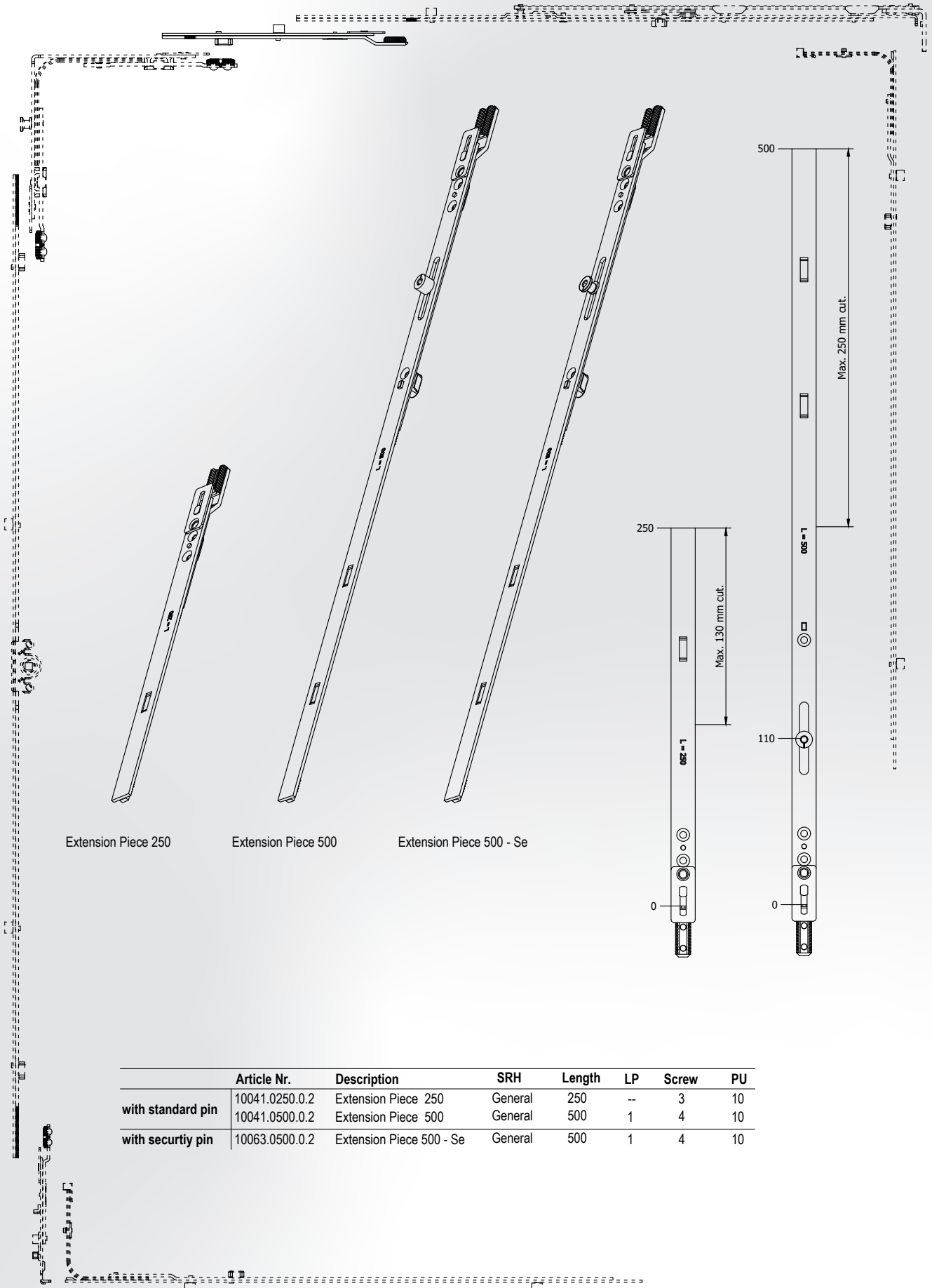


Middle Lock





Extension Piece



Extension Piece 250

Extension Piece 500

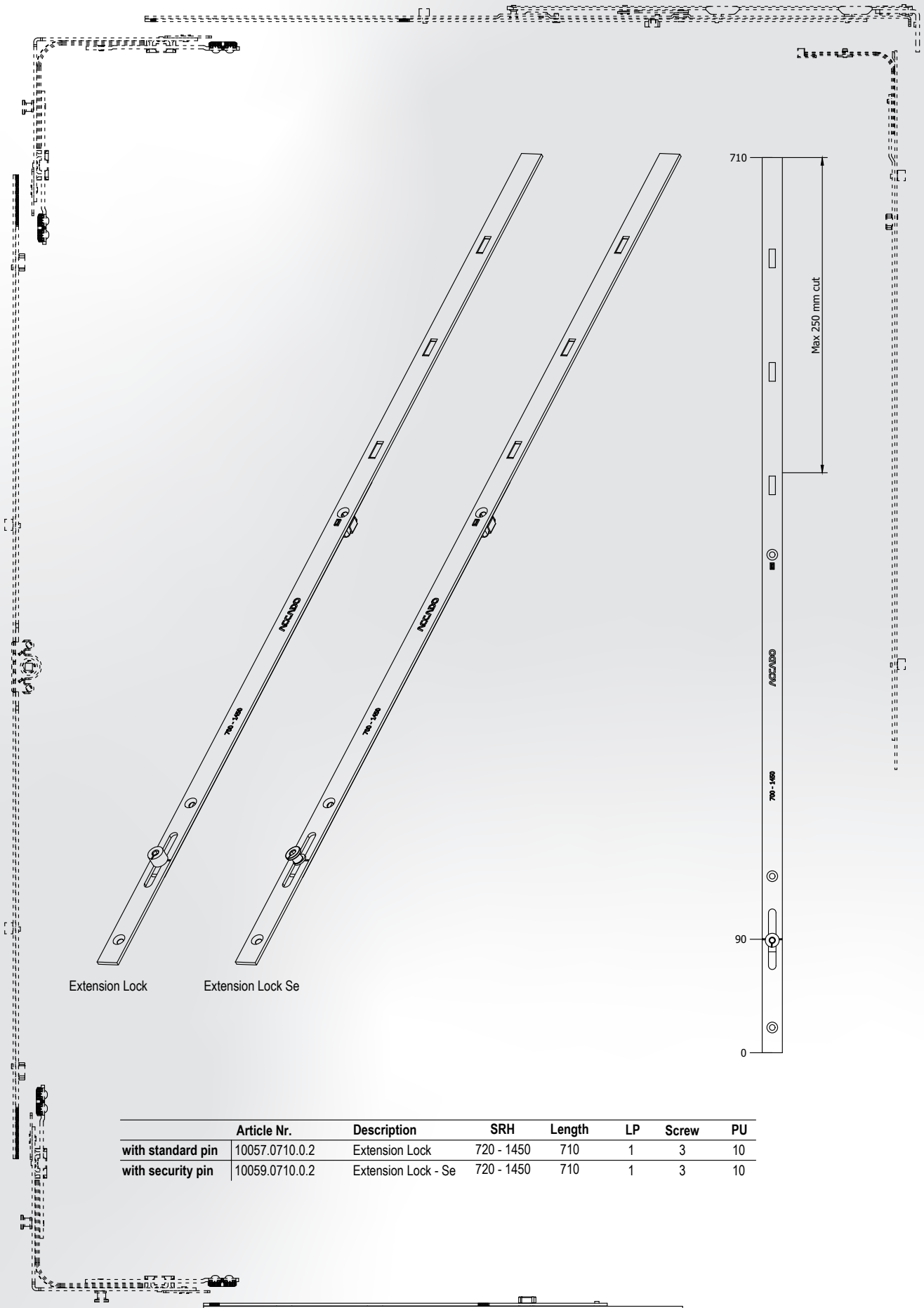
Extension Piece 500 - Se

	Article Nr.	Description	SRH	Length	LP	Screw	PU
with standard pin	10041.0250.0.2	Extension Piece 250	General	250	--	3	10
	10041.0500.0.2	Extension Piece 500	General	500	1	4	10
with security pin	10063.0500.0.2	Extension Piece 500 - Se	General	500	1	4	10

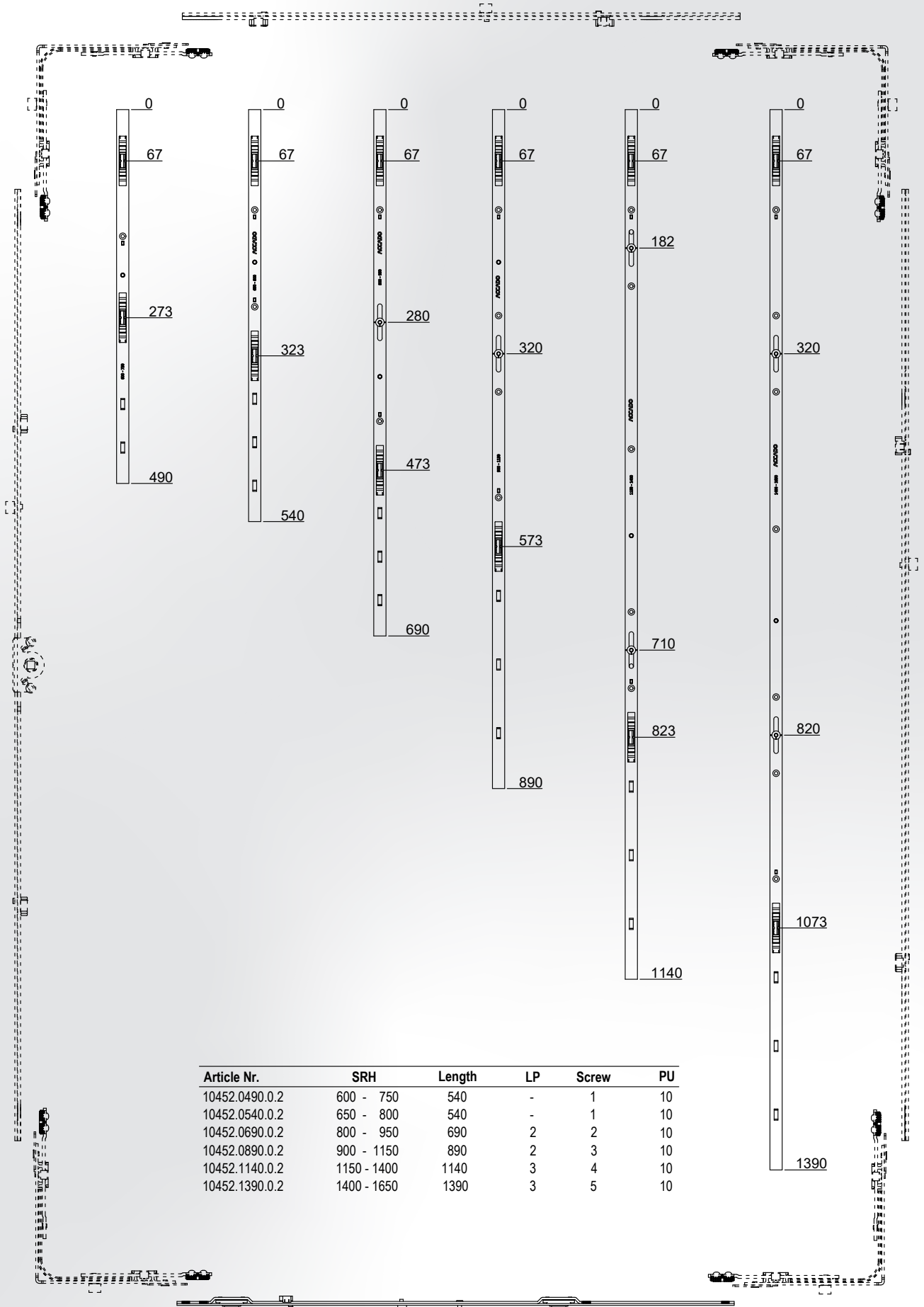


Extension Lock

ACCADO



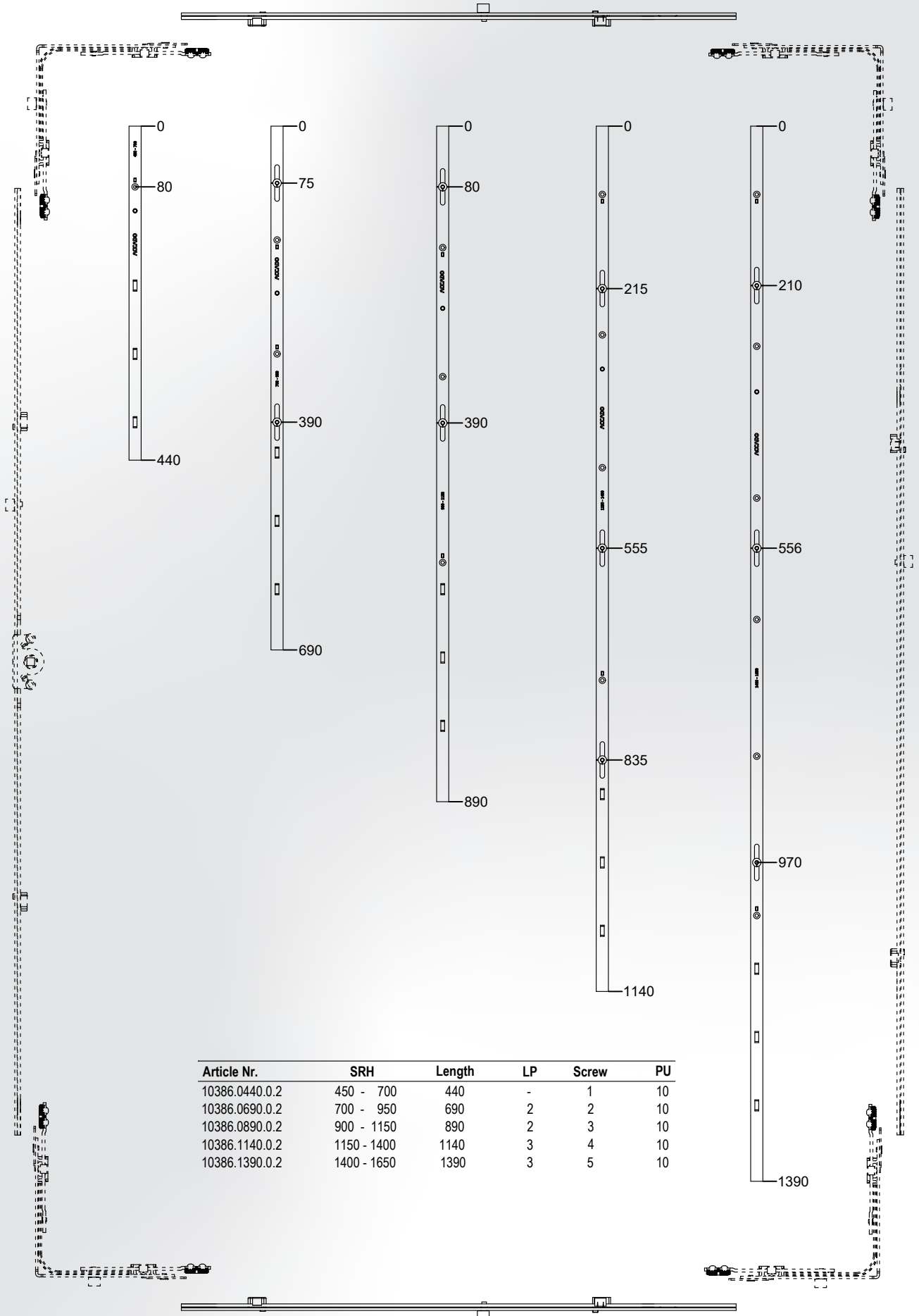
	Article Nr.	Description	SRH	Length	LP	Screw	PU
with standard pin	10057.0710.0.2	Extension Lock	720 - 1450	710	1	3	10
with security pin	10059.0710.0.2	Extension Lock - Se	720 - 1450	710	1	3	10

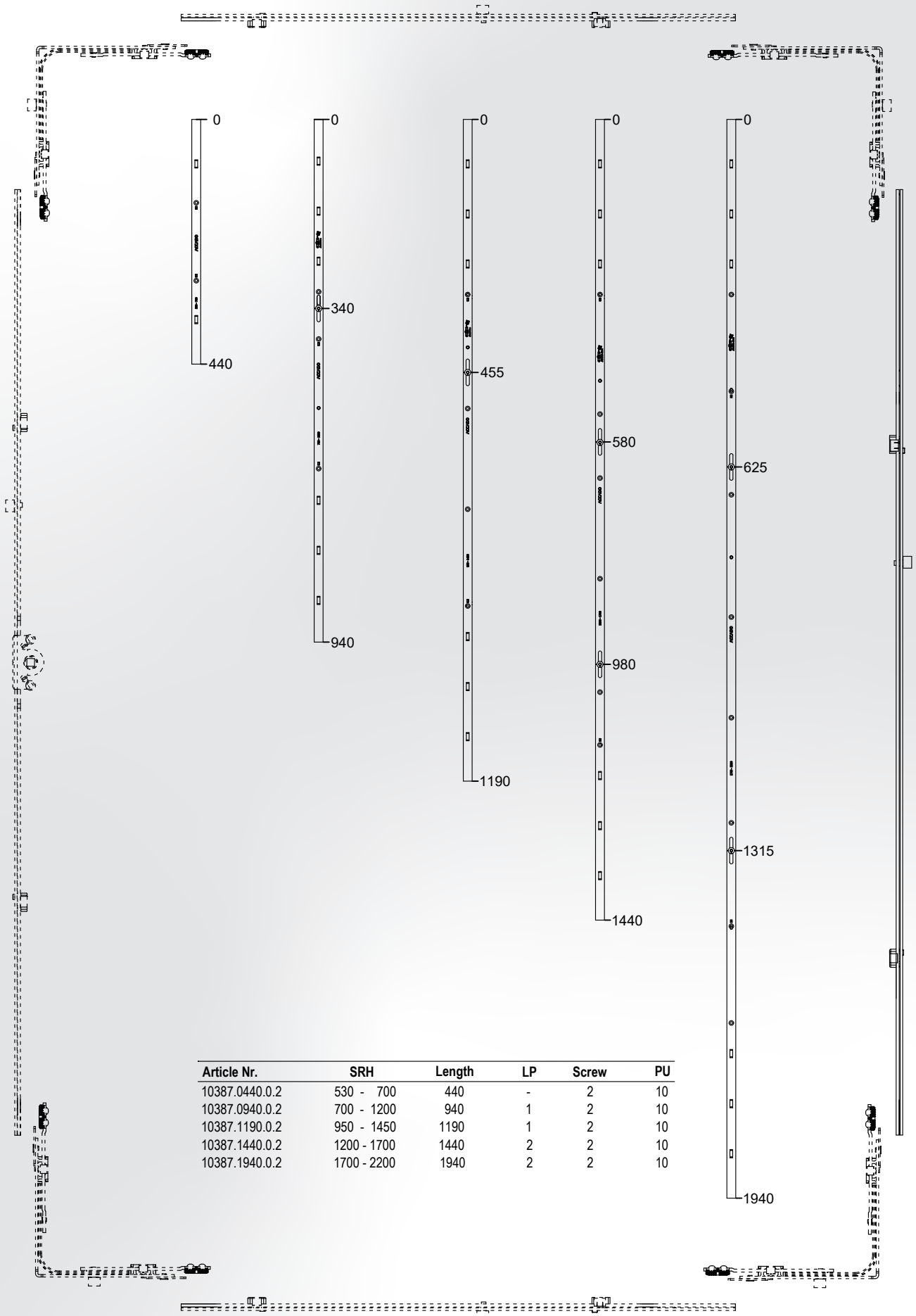


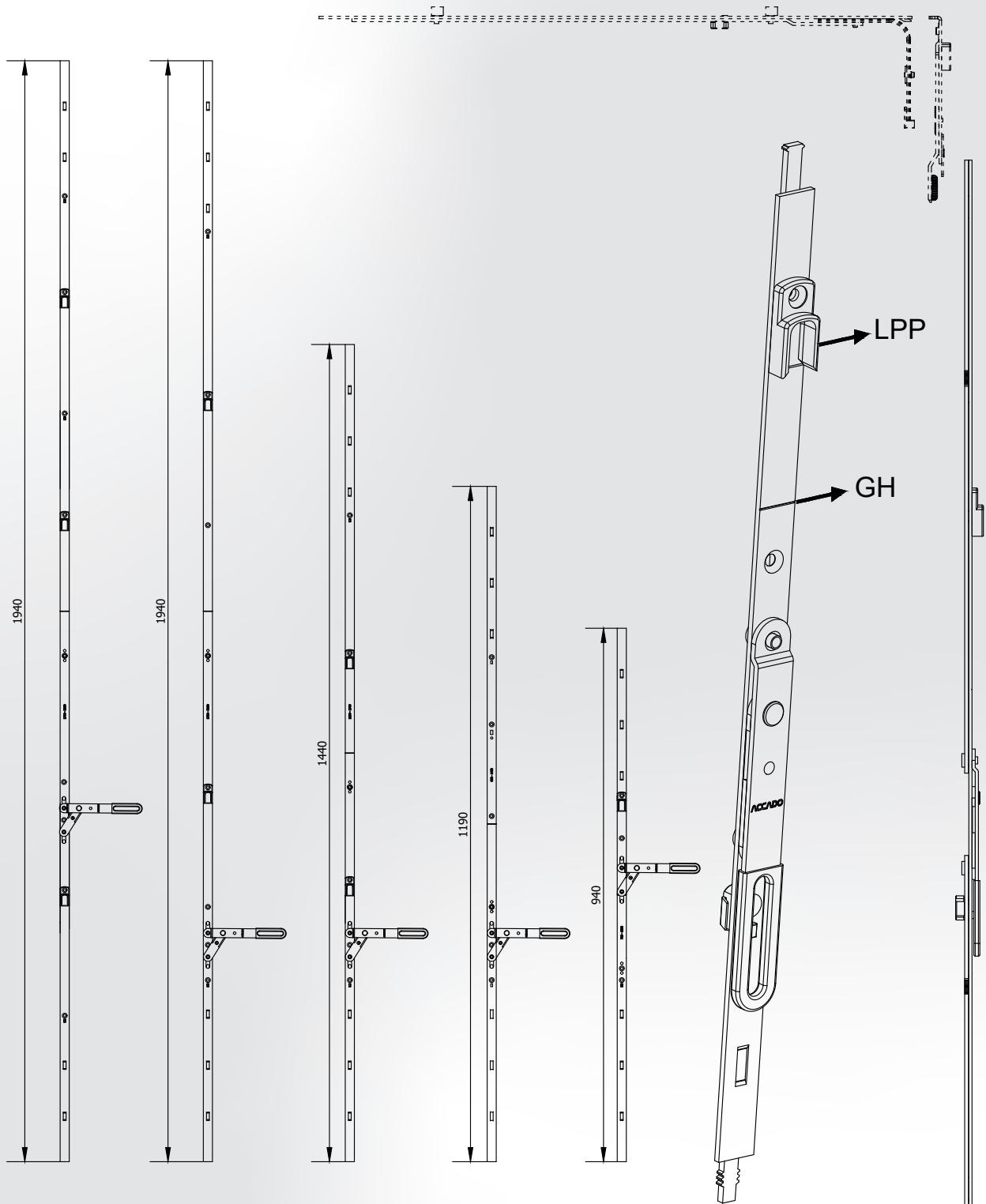
Article Nr.	SRH	Length	LP	Screw	PU
10452.0490.0.2	600 - 750	540	-	1	10
10452.0540.0.2	650 - 800	540	-	1	10
10452.0690.0.2	800 - 950	690	2	2	10
10452.0890.0.2	900 - 1150	890	2	3	10
10452.1140.0.2	1150 - 1400	1140	3	4	10
10452.1390.0.2	1400 - 1650	1390	3	5	10



Horizontal Center Gear





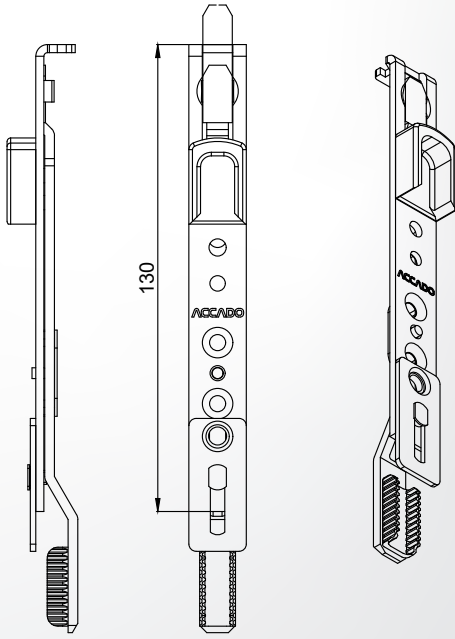


Article Nr.	SRH	Length	GH	LPP	Screw	PU
10010.0940.0.2	700 - 1200	940	350 - 600	1	4	10
10010.1190.0.2	950 - 1450	1190	475 - 725	1	6	10
10010.1440.0.2	1200 - 1700	1440	600 - 850	2	6	10
10010.1940.0.2	1700 - 2200	1940	850 - 1100	2	8	10
* 10467.1940.0.2	1700 - 2200	1940	850 - 1100	3	9	10

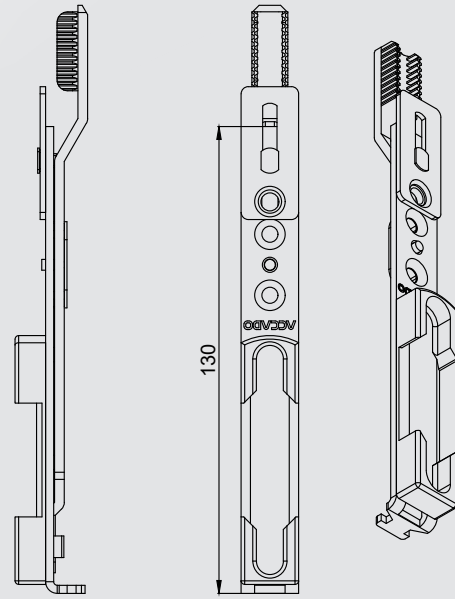
* For special double sash applications.



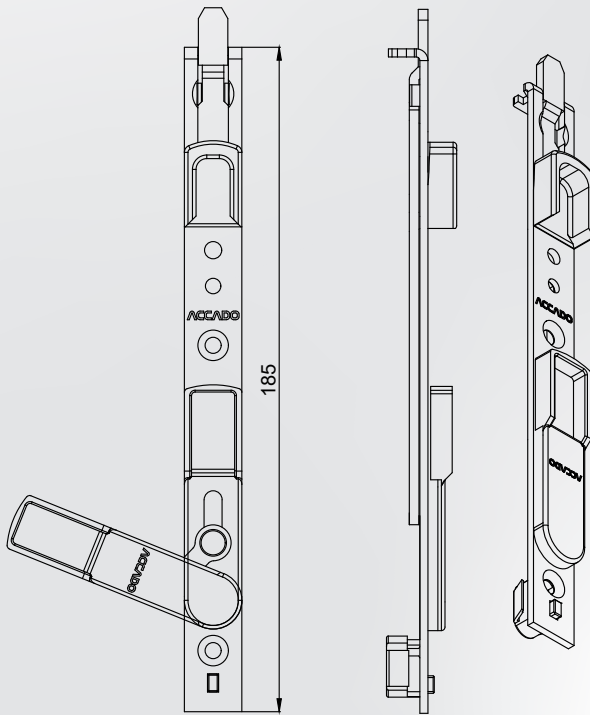
Shoot Bolts



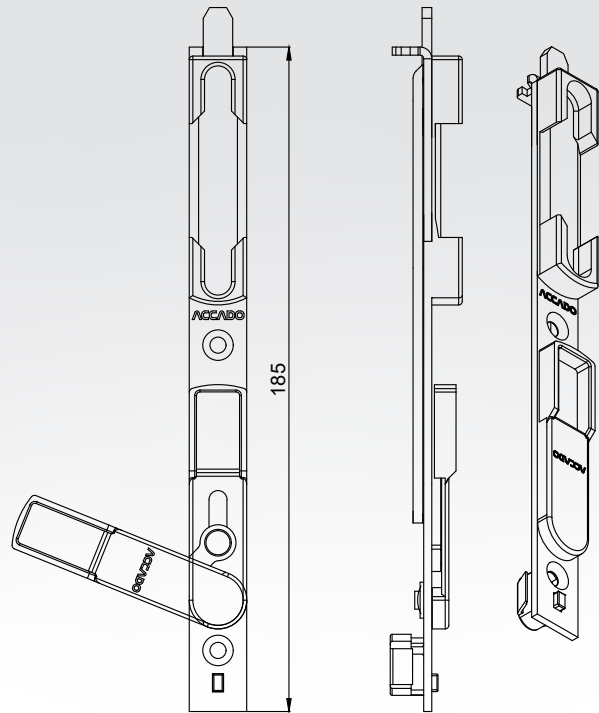
Shoot Bolt, Top



Shoot Bolt, Bottom

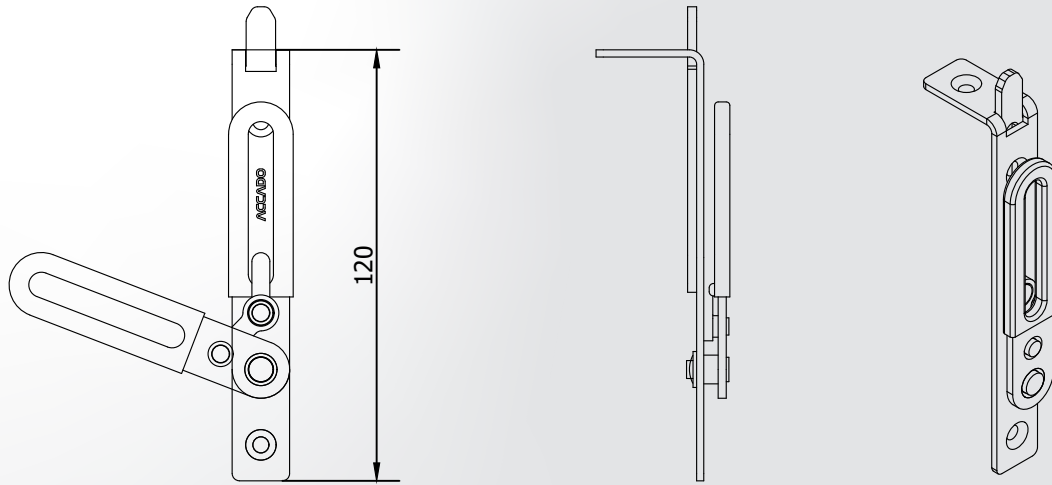


Lever Shoot Bolt, Top

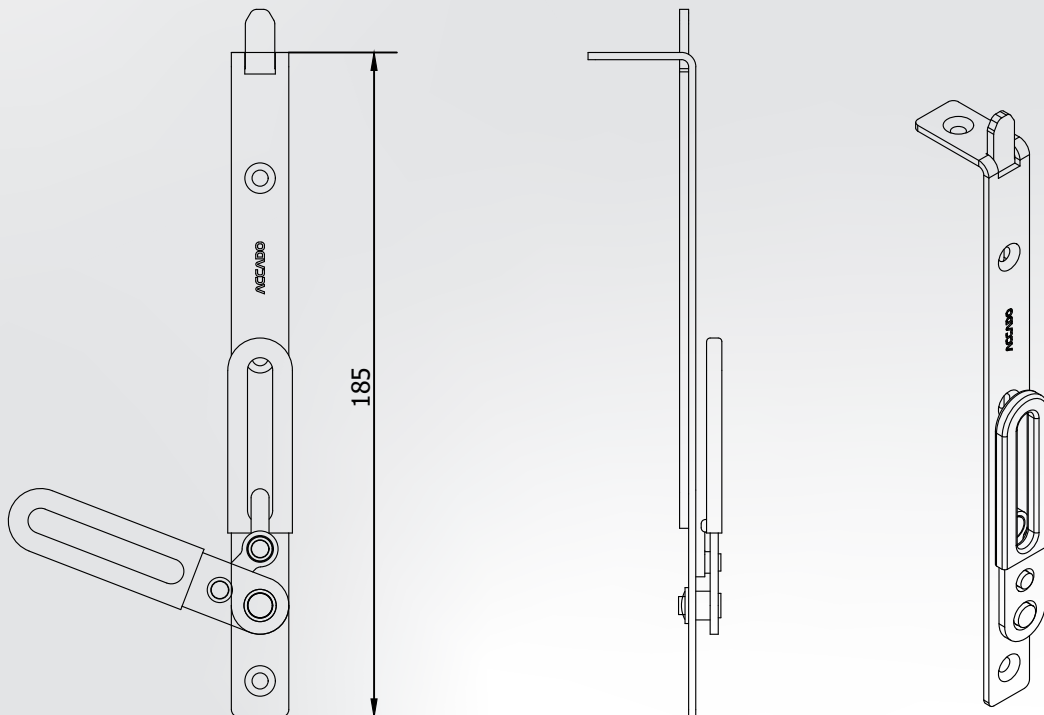


Lever Shoot Bolt, Bottom

Article Nr.	Description	SRH	Length	Screw	PU
10011.0000.0.2	Shoot Bolt, Top	General	130	3	100
10012.0000.0.2	Shoot Bolt, Bottom	General	130	3	100
10060.0000.0.2	Lever Shoot Bolt, Top	General	185	3	25
10061.0000.0.2	Lever Shoot Bolt, Bottom	General	185	3	25

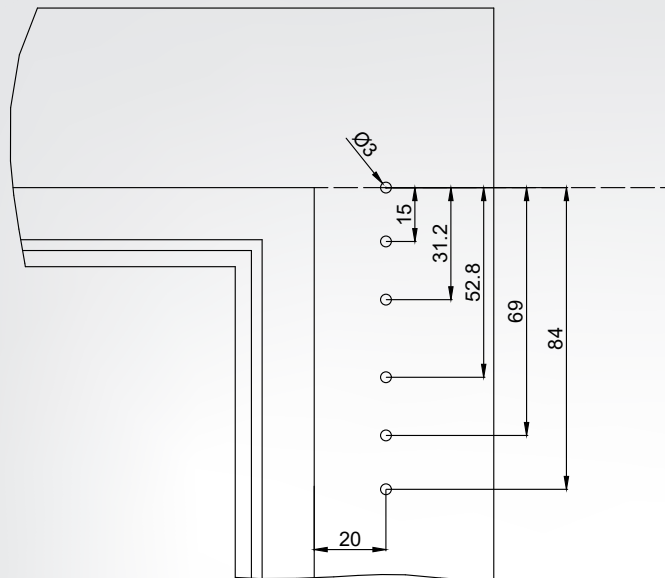
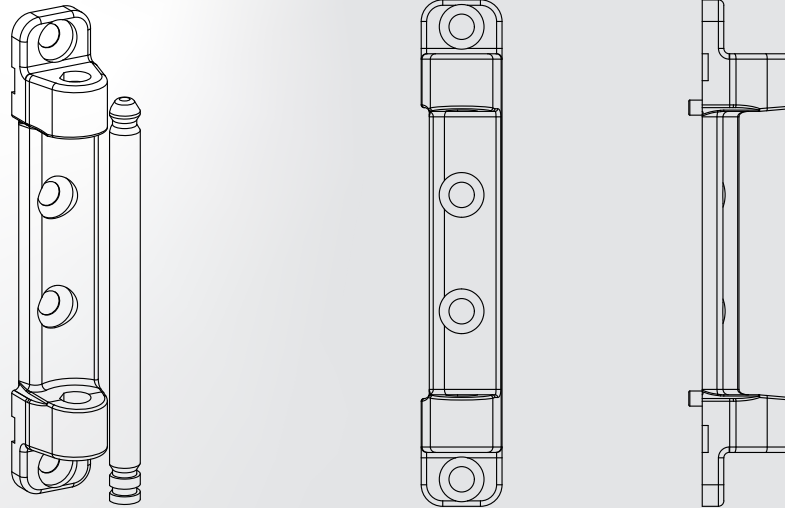


Shoot Bolt with Lever Top/Bottom 120 mm



Shoot Bolt with Lever Top/Bottom 185 mm

Article Nr.	Description	SRH	Length	Screw	PU
10491.0120.0.2	Shoot Bolt with Lever Top/Bottom - 120MM	Genel	120	3	25
10491.0185.0.2	Shoot Bolt with Lever Top/Bottom - 185MM	Genel	185	4	25



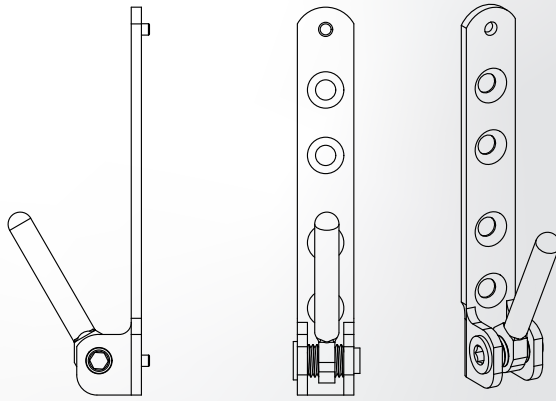
Frame Screw Holes

Article Nr.	Description	Max. Sash Weight	Screw	PU
10013.0000.0.2	Stay Arm Bearing	130 kg	4	100

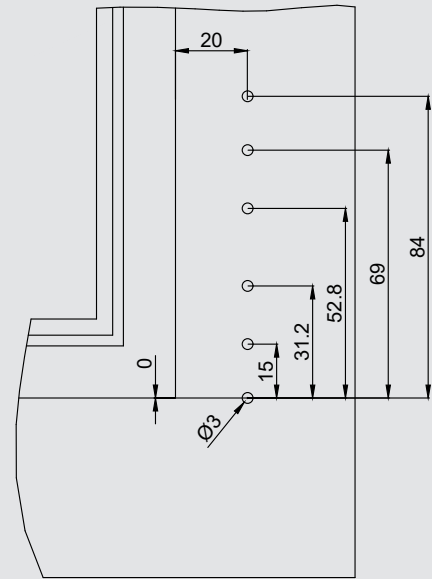


Corner Bearing

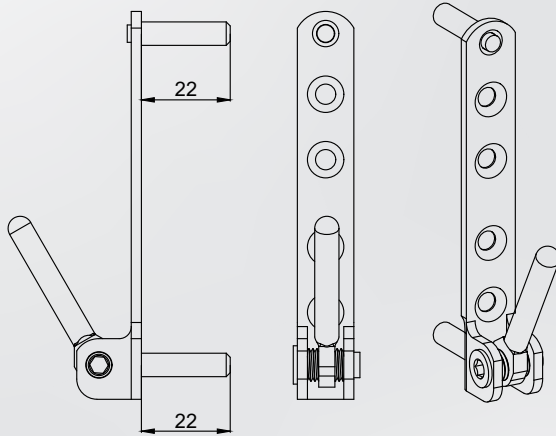
ACCADO



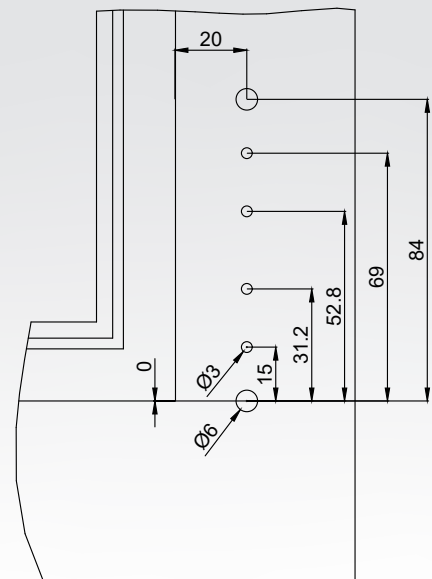
10015.0000.0.2



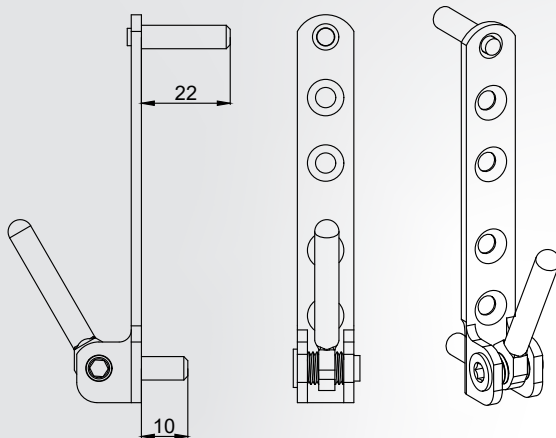
Frame Screw Holes



10026.0000.0.2



Frame Screw Holes



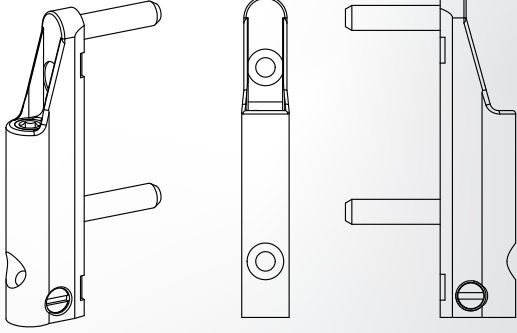
10026.0000.1.2

Article Nr.	Description	Max. Sash Weight	Screw	PU
10015.0000.0.2	Corner Bearing	100 kg	4	100
10026.0000.0.2	Corner Bearing, with pin	130 kg	4	100
10026.0000.1.2	Corner Bearing, with short pin	130 kg	4	100

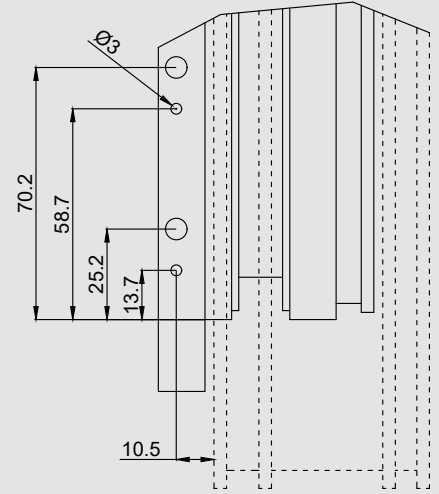


Drill-in Corner Hinge
Adjustable Bottom Hinge

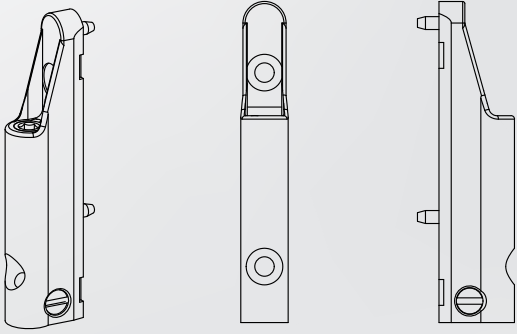
ACCADO



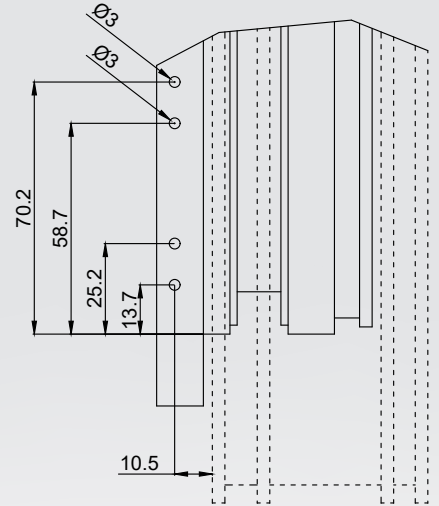
Drill-in Corner Hinge



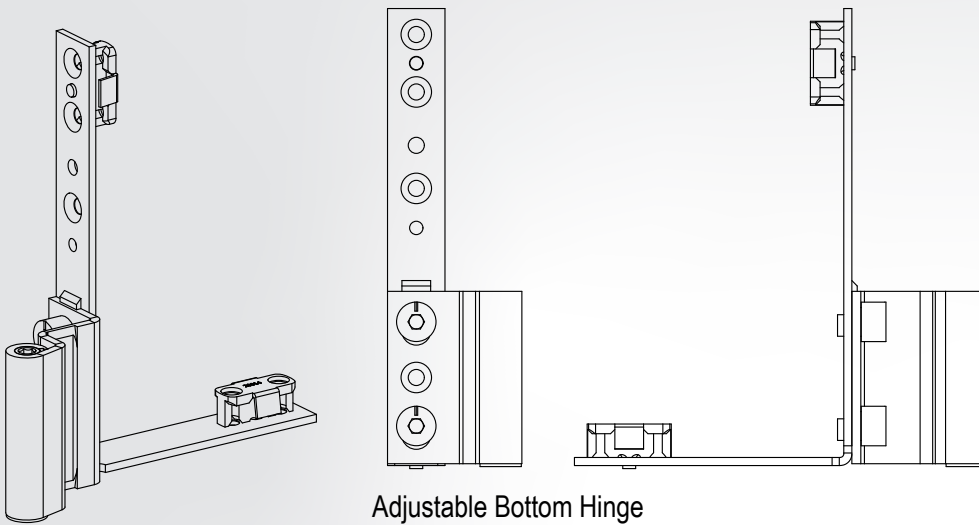
Sash Screw Holes



Drill-in Corner Hinge,
with shot pin



Sash Screw Holes



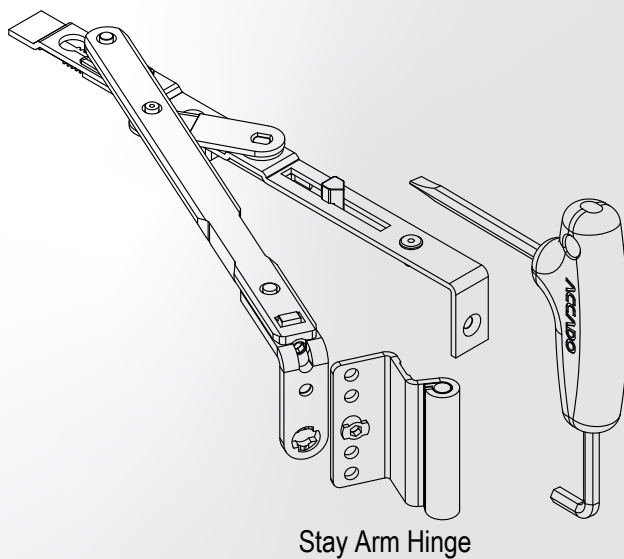
Adjustable Bottom Hinge

Ürün Kodu	Açıklama	Maksimum Kanat Ağırlığı		
10016.0000.1.2	Drill-in Corner Hinge, with short pin	80 kg	2	100
10016.0000.0.2	Drill-in Corner Hinge	130 kg	2	100
10023.0009.L.2	Adjustable Bottom Hinge, 9 mm, Left	130 kg	6	100
10023.0009.R.2	Adjustable Bottom Hinge, 9 mm, Right	130 kg	6	100
10023.0013.L.2	Adjustable Bottom Hinge, 13 mm, Left	130 kg	6	100
10023.0013.R.2	Adjustable Bottom Hinge, 13 mm, Right	130 kg	6	100



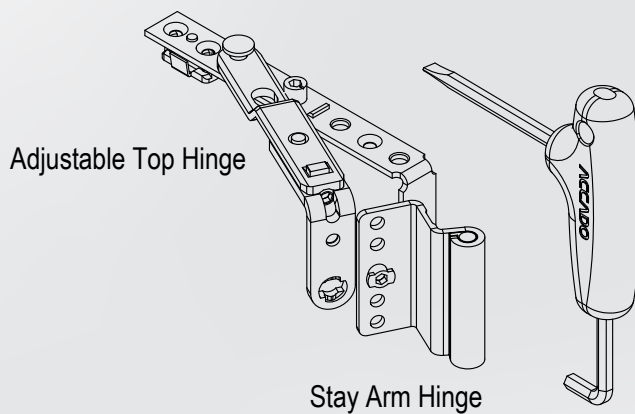
Stay Arm Hinge
Adjustable Top Hinge

ACCADO



Tilt & Turn Application

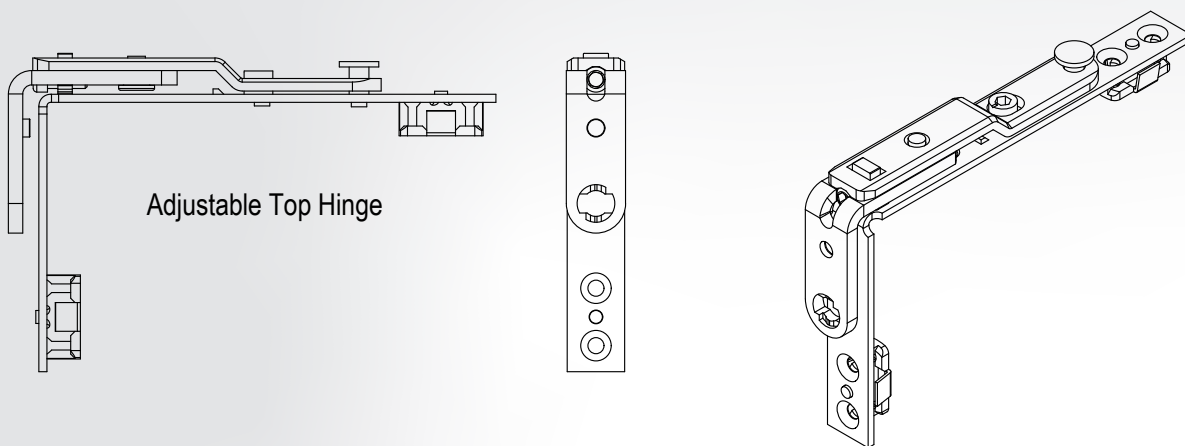
Stay Arm Hinge



Turn Only Application

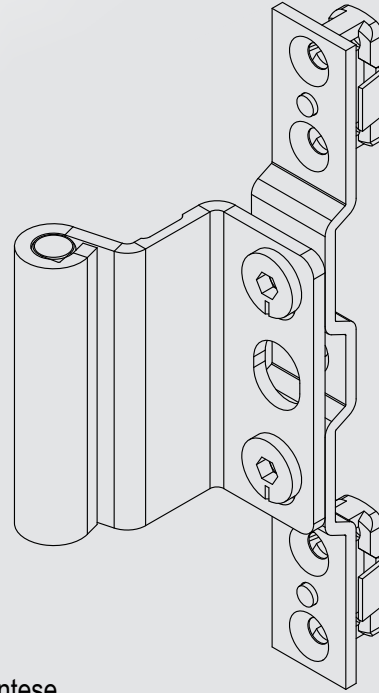
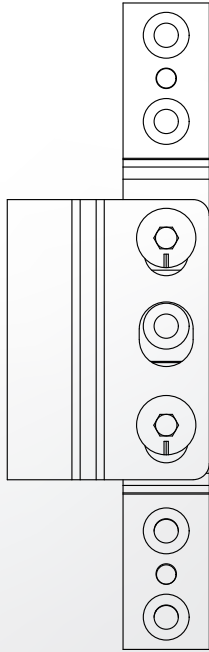
Adjustable Top Hinge

Stay Arm Hinge

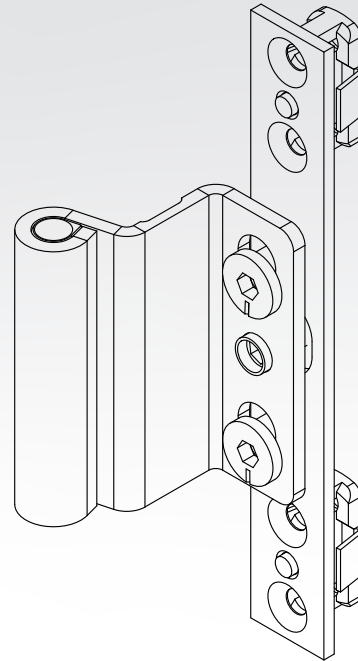
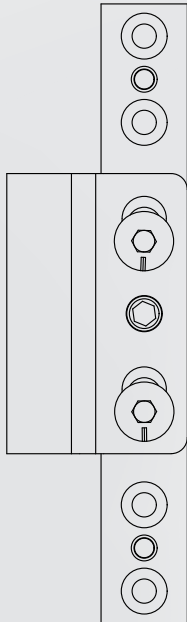


Adjustable Top Hinge

Article Nr.	Description	Max. Sash Weight	Screw	PU
10014.0009.0.2	Stay Arm Hinge , 9 mm	130 kg	-	100
10014.0013.0.2	Stay Arm Hinge , 13 mm	130 kg	-	100
10022.0000.0.2	Adjustable Top Hinge	130 kg	4	100



Ayarlı Orta Mentеше



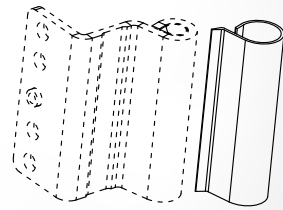
3D Ayarlı Orta Mentеше

Article Nr.	Description	Max. Sash Weight	Screw	PU
10396.0009.0.2	3D Adjustable Middle Hinge 9 mm	130 kg	4	100
10396.0013.0.2	3D Adjustable Middle Hinge 13 mm	130 kg	4	100
10044.0009.0.2	Adjustable Middle Hinge 9 mm	130 kg	5	100
10044.0013.0.2	Adjustable Middle Hinge 13 mm	130 kg	5	100

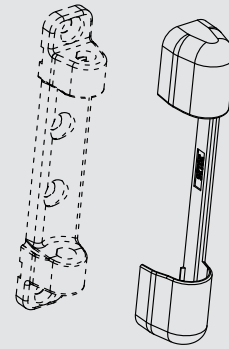


Hinge Cover Sets

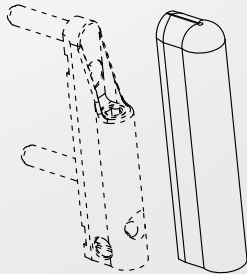
ACCADO



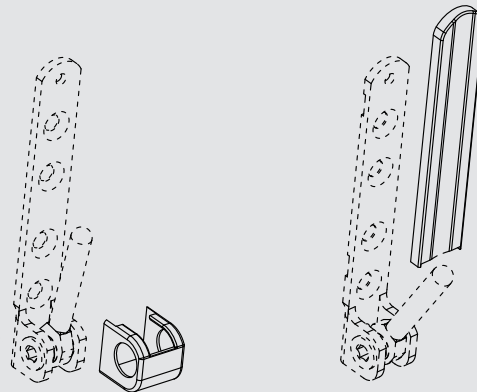
Stay Arm Hinge Cover



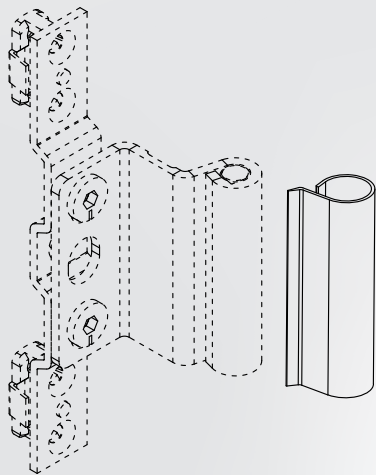
Stay Arm Bearing Cover



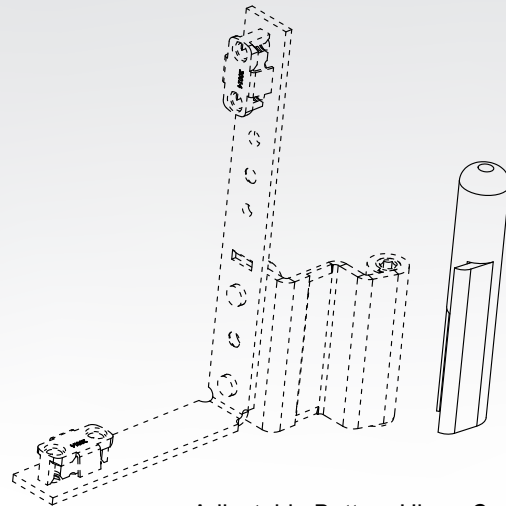
Drill-in Corner Hinge Cover



Corner Bearing Cover



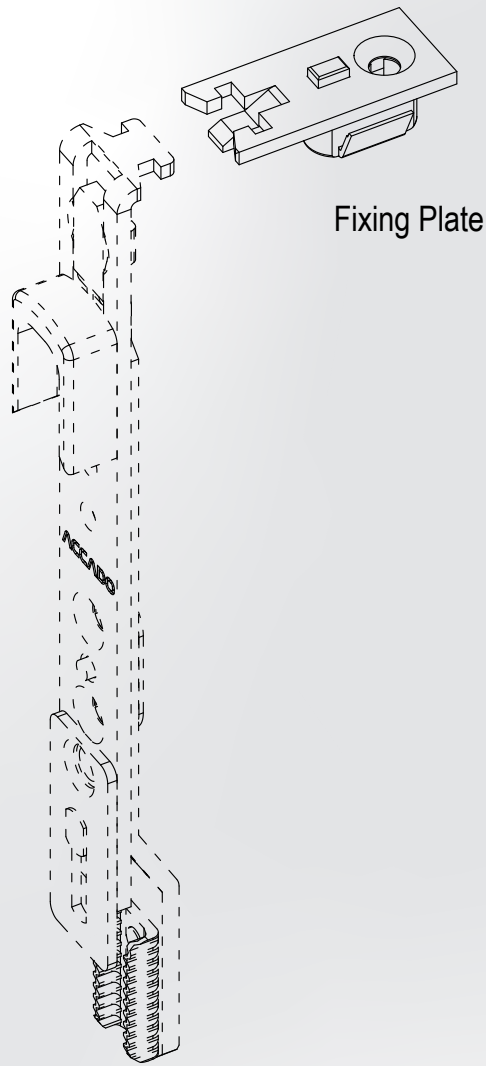
Adjustable Middle Hinge Cover



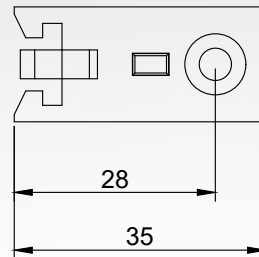
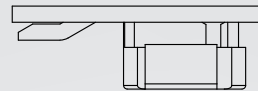
Adjustable Bottom Hinge Cover

Article Nr.	Description	Content	PU
10300.0000.0.*	Tilt & Turn Hinge Cover Set	Cover Stay Arm Hinge + Cover Stay Arm Bearing + Cover Drill-in Corner Hinge Cover Corner Bearing	100
10045.0000.L.*	Adjustable Bottom Hinge Cover Set, Left	Cover Adjustable Bottom Hinge Left + Cover Corner Bearing	100
10045.0000.R.*	Adjustable Bottom Hinge Cover Set, Right	Cover Adjustable Bottom Hinge Right + Cover Corner Bearing	100
10042.0000.0.*	Top / Middle Hinge Cover Set	Cover Adjustable Middle Hinge + Cover Stay Arm Bearing	100

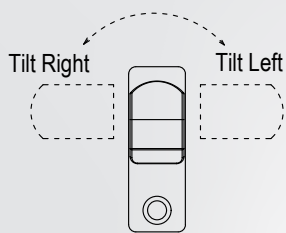
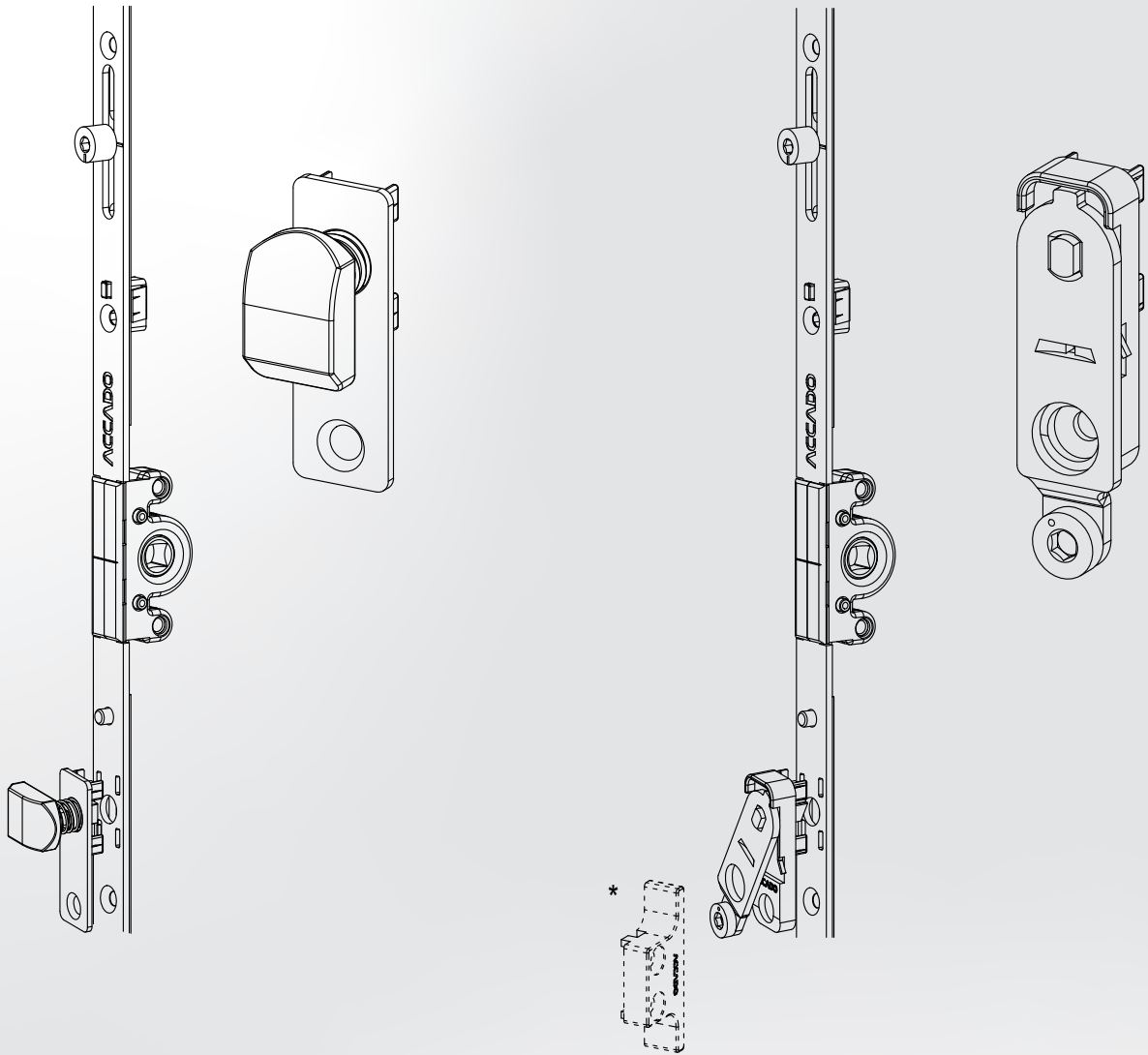
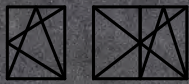
* 1B=White ; 2S=Silver ; 3C=Champagne ; 5A=Bronze ; 6F=Light Brown ; 6H=Brown ; 6J=Dark Brown ; 9F=Anthracite Grey ; 7B=Black



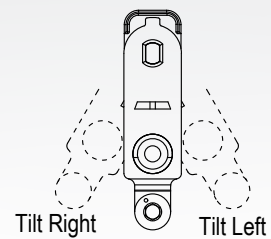
Fixing Plate



Article Nr.	Description	Length	LP	Screw	PU
10062.0000.0.2	Fixing Plate	35	-	1	100



Wrong Operation Safety Device
(use without locking plate)



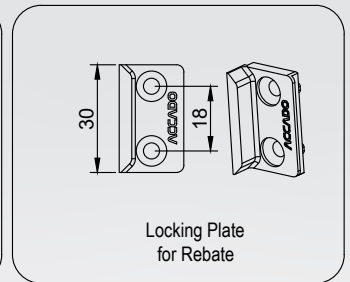
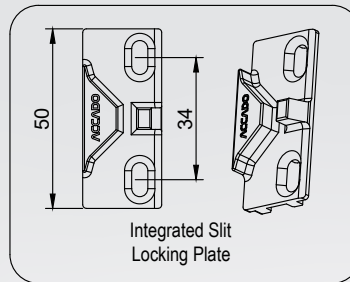
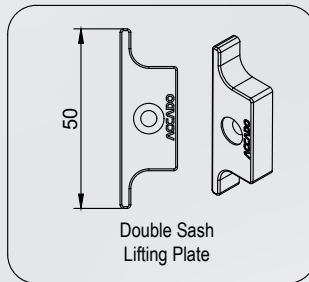
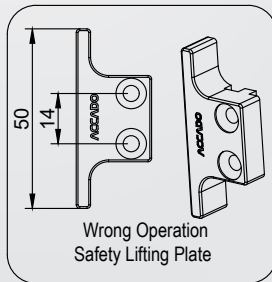
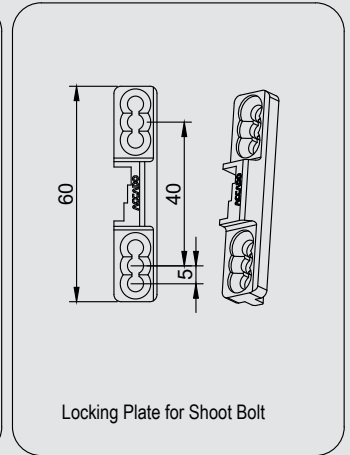
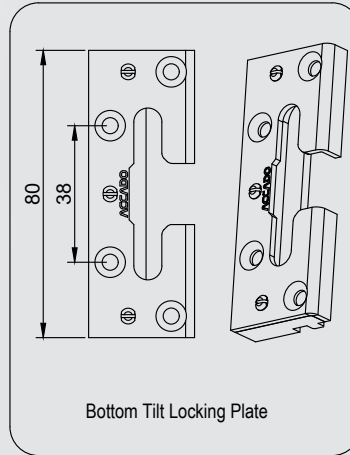
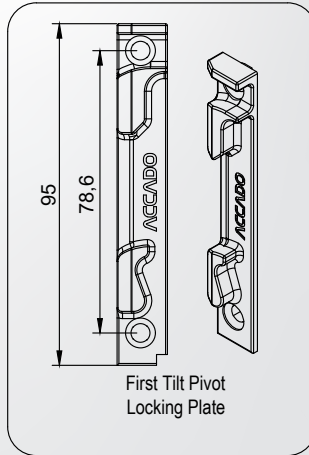
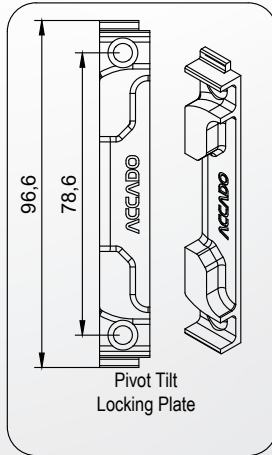
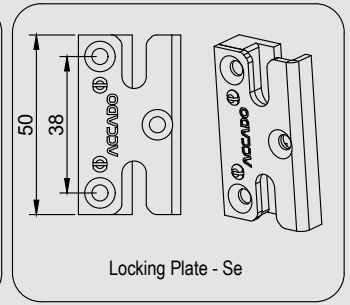
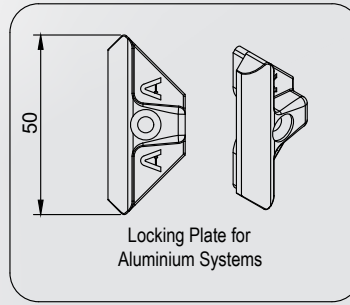
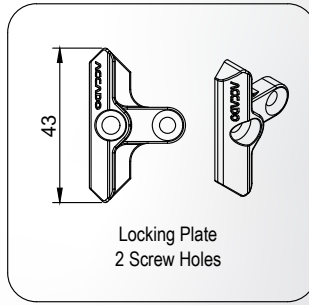
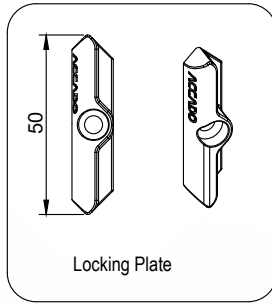
Wrong Operation Safety & Lifting Device
(use with locking plate)

Article Nr.	Description	PU
10025.0009.0.2	Wrong Operation Safety Device , 9 mm	100
10025.0013.0.2	Wrong Operation Safety Device, 13 mm	100
* 10069.0000.0.2	Wrong Operation Safety & Lifting Device	100

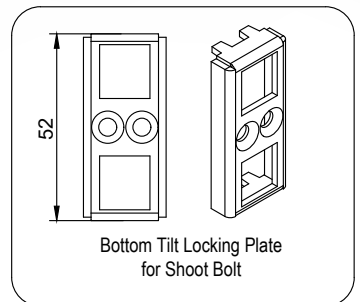
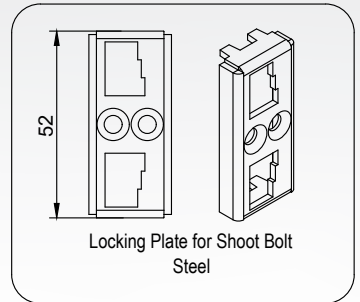
* Should be use with wrong operation safety & lifting plate.



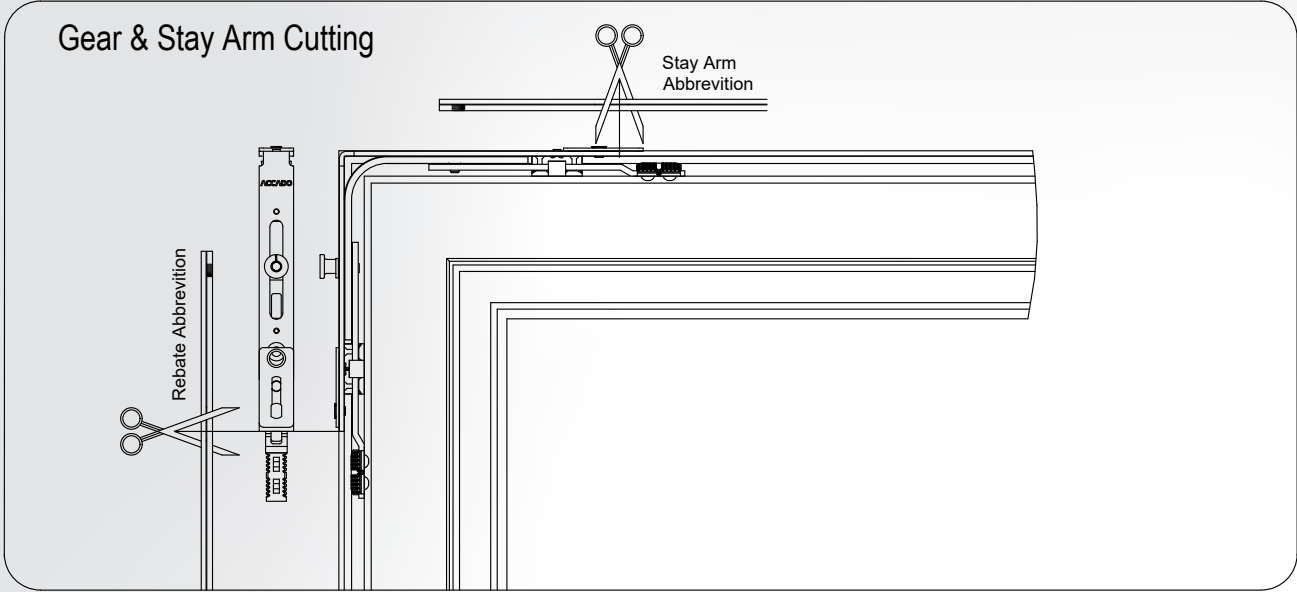
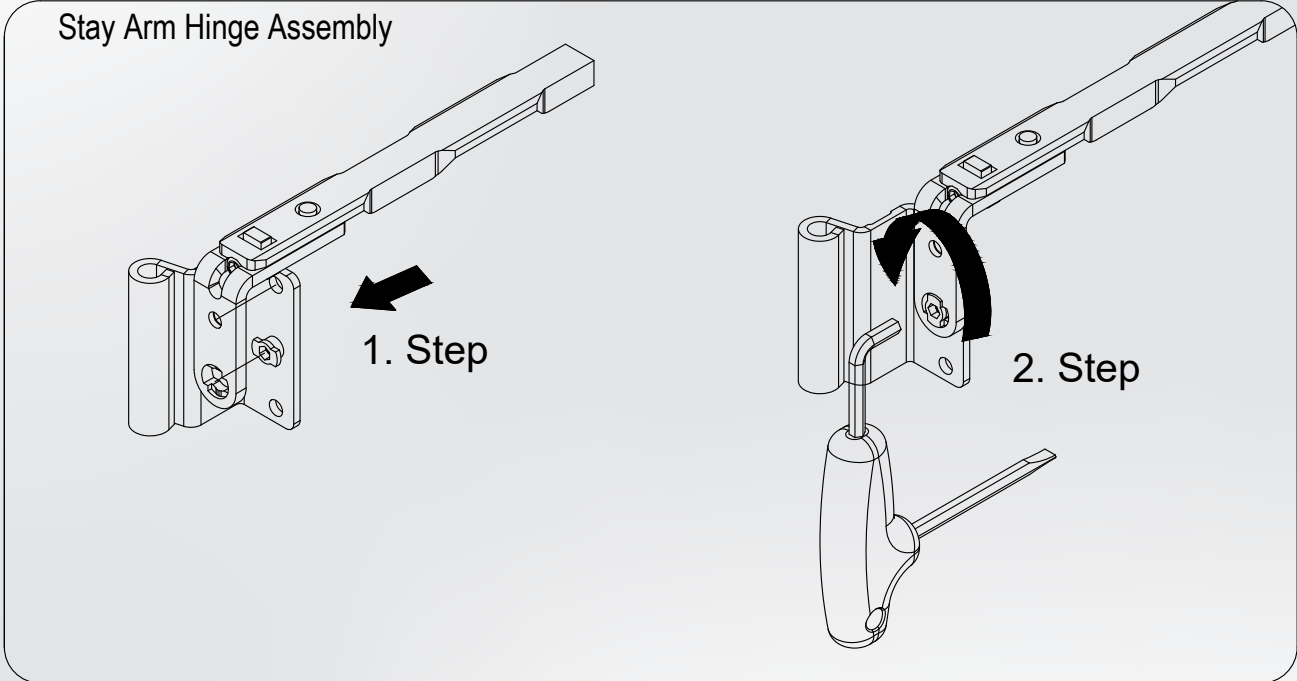
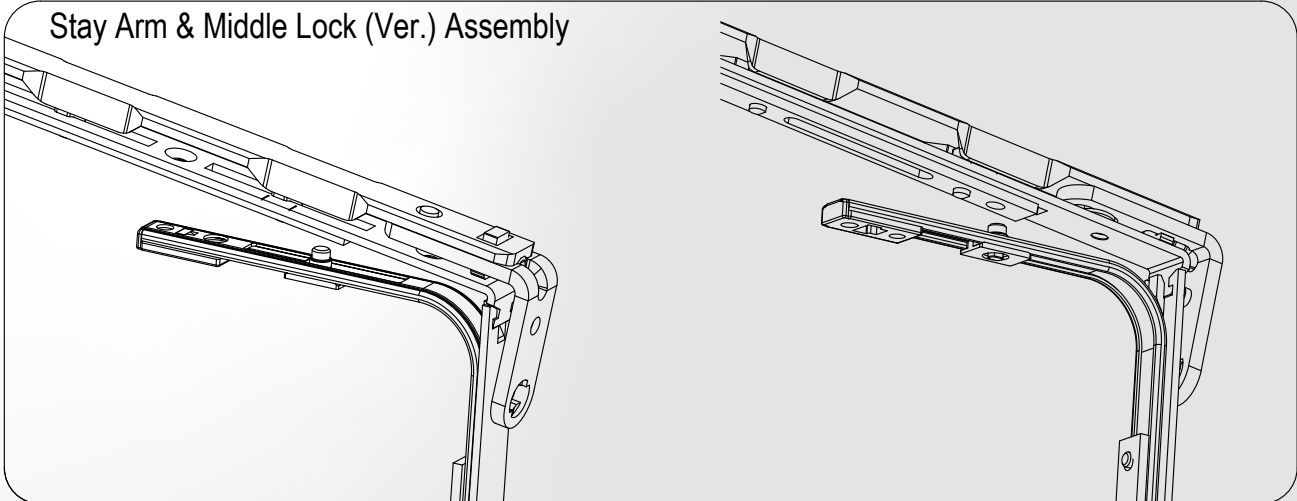
Locking Plate & Strikers

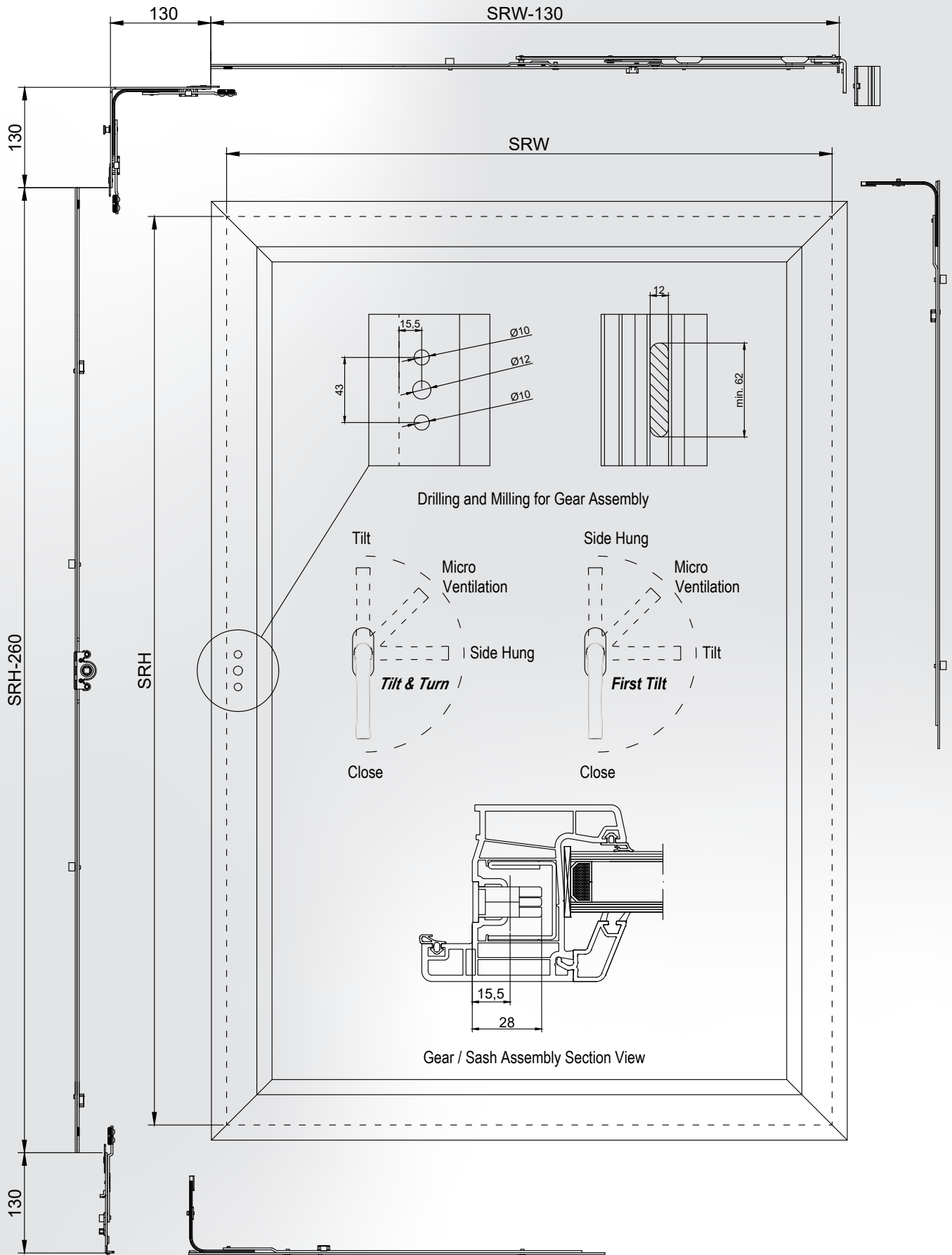


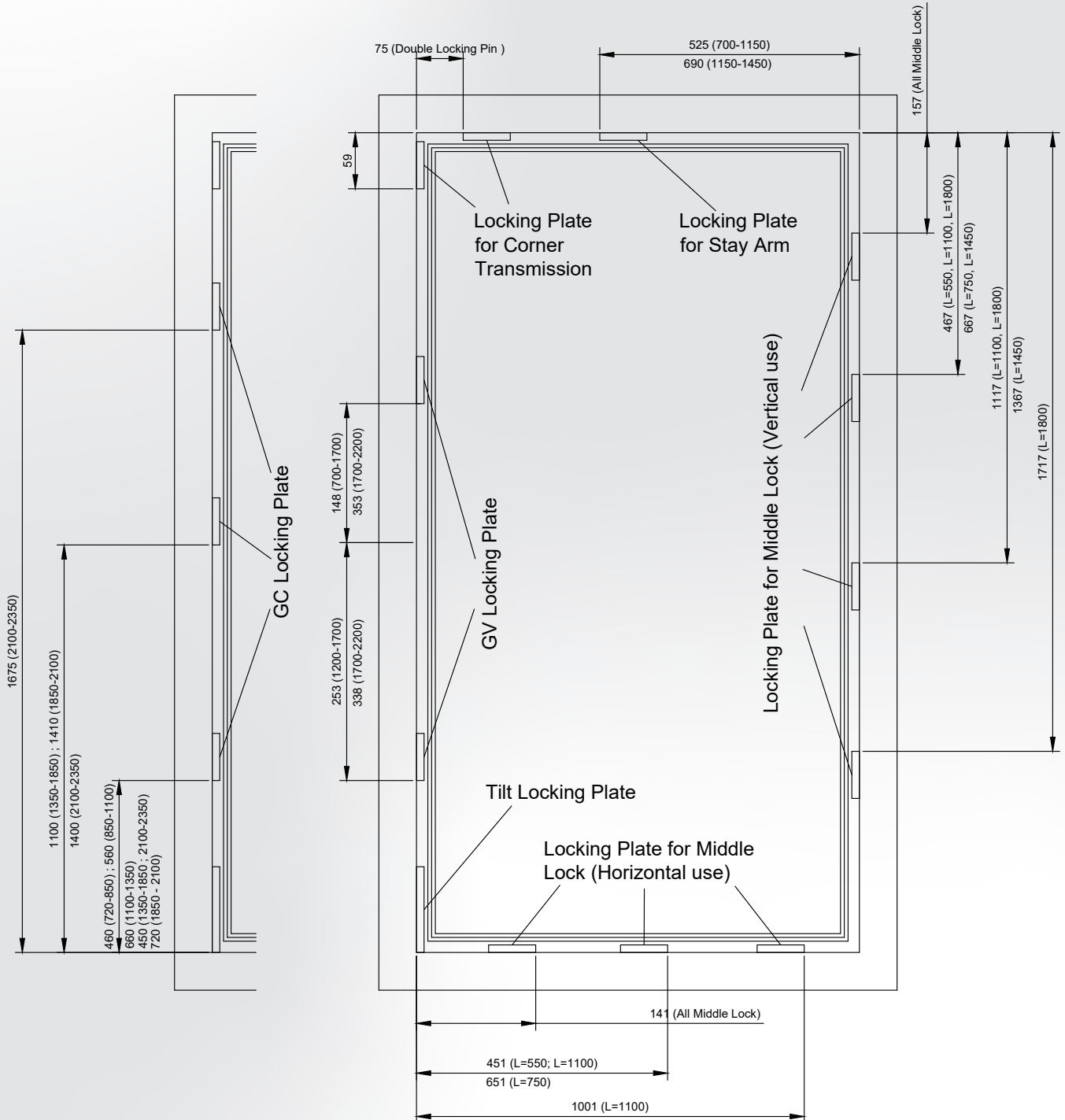
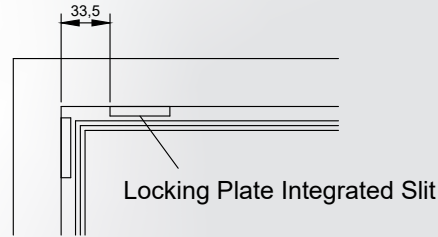
Description	Article Nr.	Screw	PU
Locking Plate, 12,5 mm (-0,5 mm)	20270.0125.0.2	1	1200
Locking Plate, 13 mm	20270.0130.0.2	1	1200
Locking Plate, 13,5 mm (+0,5 mm)	20270.0135.0.2	1	1200
Locking Plate with 2 Screw Holes, 13 mm	20922.0013.0.2	2	1200
Locking Plate for Rebate	20146.0000.0.2	2	250
Locking Plate for Aluminium Systems, 13 mm	21547.0013.0.2	1	1000
Locking Plate for Aluminium Systems, 9 mm	21547.0009.0.2	1	1000
* Wrong Operation Safety & Lifting Plate, 13 mm	20213.0013.0.2	2	100
* Wrong Operation Safety & Lifting Plate, 9 mm	20214.0009.0.2	2	100
Double Sash Lifting Plate	21142.0000.0.2	1	100
Pivot Tilt Locking Plate 13 mm (-0,5 mm)	21000.0000.0.2	2	100
Pivot Tilt Locking Plate 9 mm (-0,5 mm)	21001.0000.0.2	2	100
Pivot Tilt Locking Plate 13 mm	20122.0013.0.2	2	100
Pivot Tilt Locking Plate 9 mm	20123.0009.0.2	2	100
First Tilt Pivot Tilt Locking Plate 13 mm - Left	21548.0013.L.2	2	100
First Tilt Pivot Tilt Locking Plate 13 mm - Right	21548.0013.R.2	2	100
* Bottom Tilt Locking Plate, 13 mm	10030.0013.0.2	4	100
* Bottom Tilt Locking Plate, 9 mm	10029.0009.0.2	4	100
* Locking Plate - Se, 13 mm	10028.0013.0.2	3	100
* Locking Plate - Se, 9 mm	10027.0009.0.2	3	100
* Integrated Slit Locking Plate, 13 mm	20214.0013.0.2	2	100
* Integrated Slit Locking Plate, 9 mm	20215.0009.0.2	2	100
Locking Plate for Shoot Bolt, 13 mm	20204.0013.0.2	2	100
Locking Plate for Shoot Bolt, 9 mm	20220.0009.0.2	2	100
* Locking Plate for Shoot Bolt, Steel, 13 mm	21386.0013.0.2	2	100
* Bottom Tilt Locking Plate for Shoot Bolt	21385.0000.0.2	2	100



* Varies by profile. Technical support should be requested for compatibility check.









Assembly Jig for Stay Arm 10035.0000.0.2



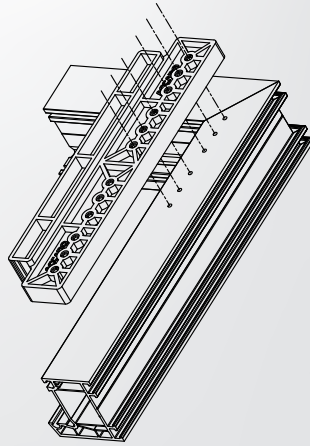
Locking Jig for Corner Transmission
10033.0000.0.2



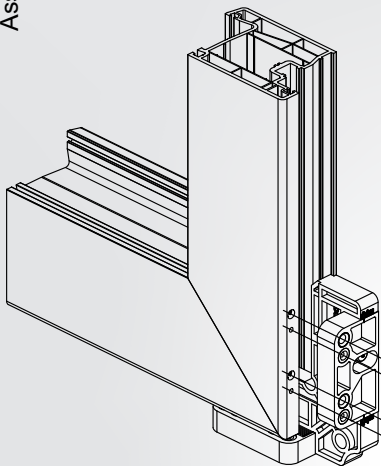
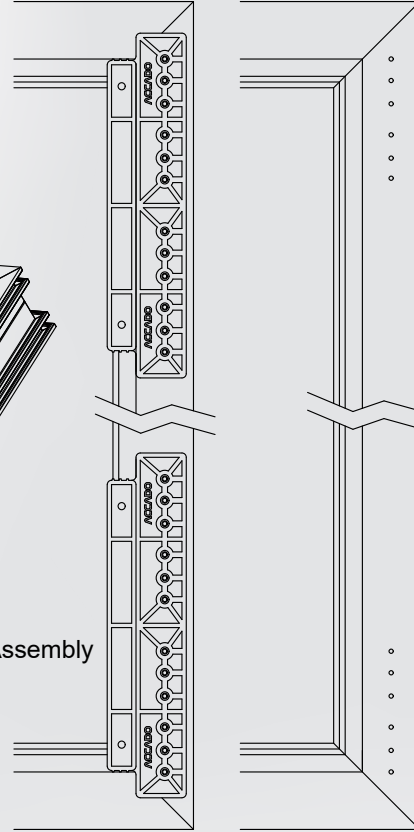
Assembly Jig for Telescopic Locking Plate 10390.0000.0.2



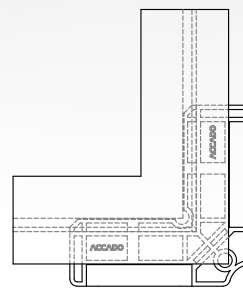
Assembly Jig for GV Gear 10032.0000.0.2



Drilling Jig for Bearing Assembly
10007.0000.0.7



Drilling Jig for Hinge Assembly
10031.0000.0.7



Assembly Jig for Middle Lock (Ver.) 10034.0001.0.2



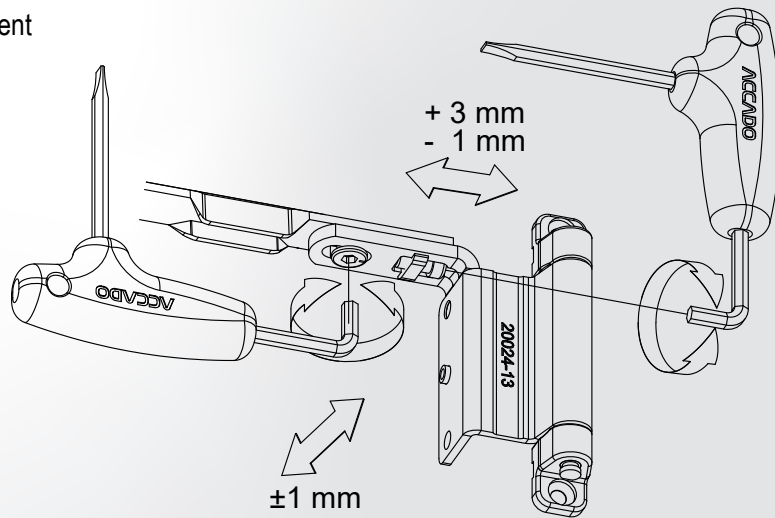
Assembly Jig for Middle Lock 240 (Ver.)
10034.0011.0.2

Assembly Jig for Middle Lock (Hor.) 10034.0002.0.2

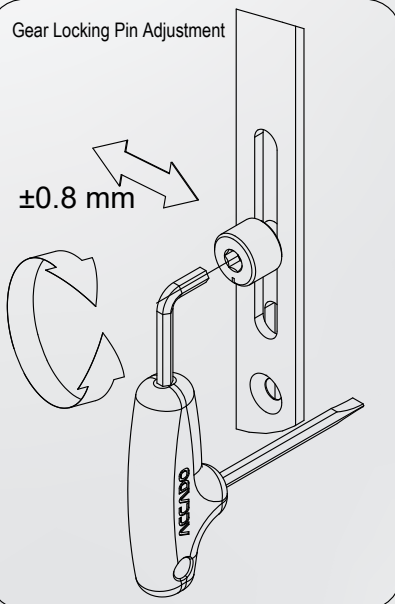


Assembly Jig for Middle Lock 240 (Hor.)
10034.0012.0.2

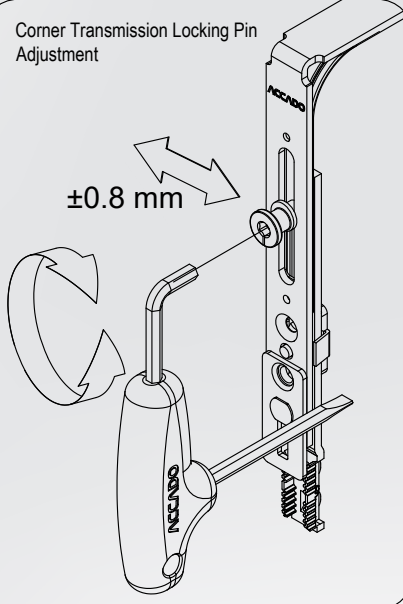
Stay Arm Adjustment



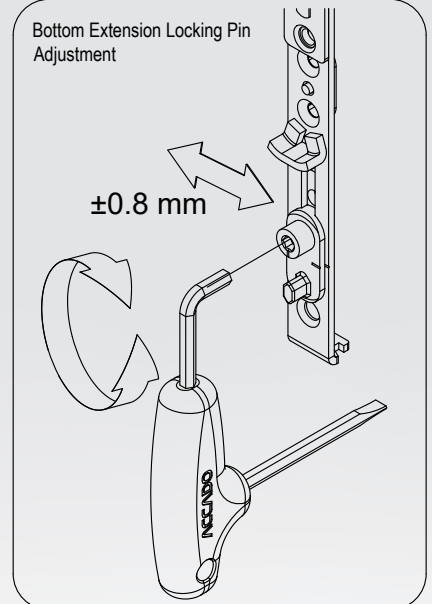
Gear Locking Pin Adjustment



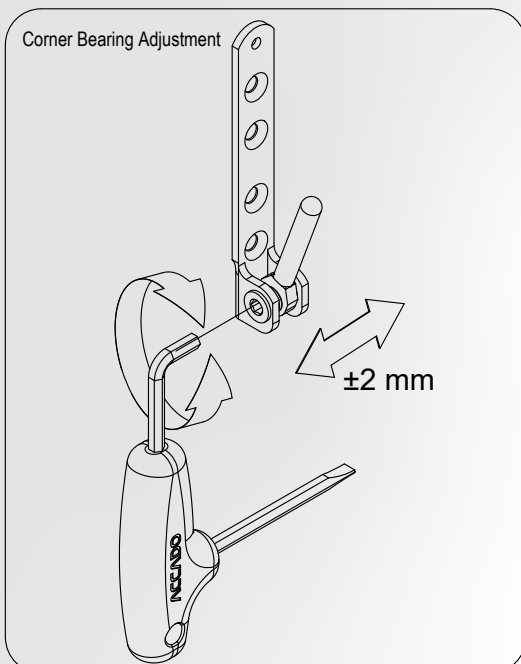
Corner Transmission Locking Pin Adjustment



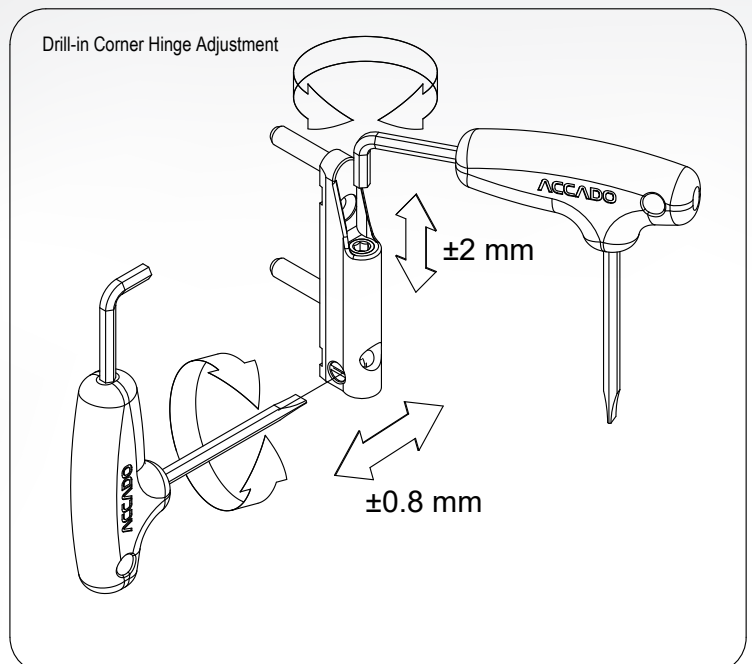
Bottom Extension Locking Pin Adjustment



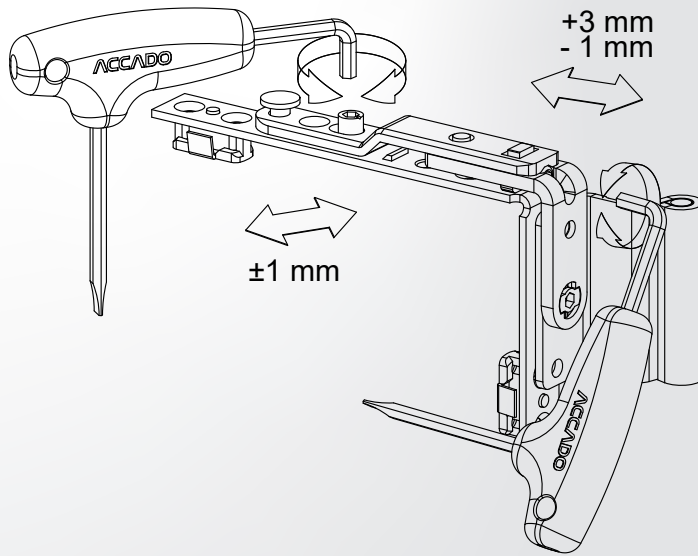
Corner Bearing Adjustment



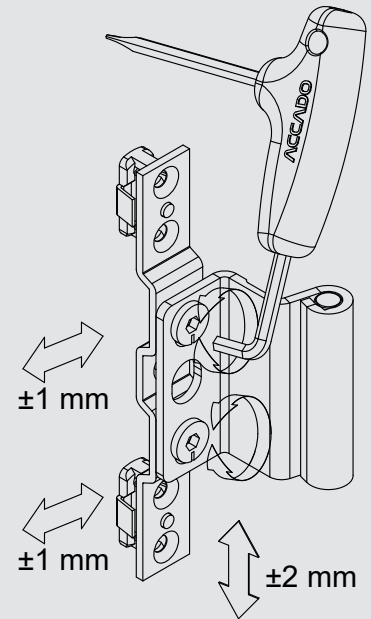
Drill-in Corner Hinge Adjustment



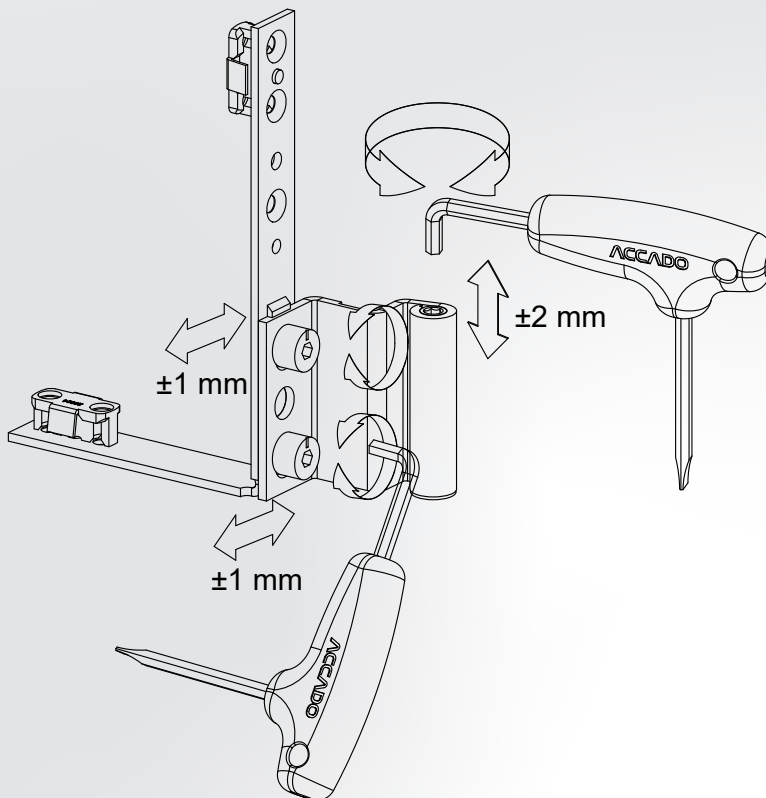
Top Hinge Adjustment



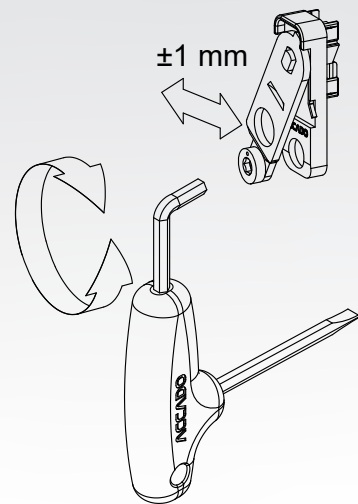
Middle Hinge Adjustment



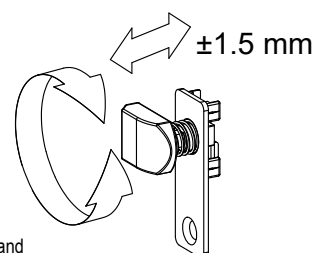
Bottom Hinge Adjustment



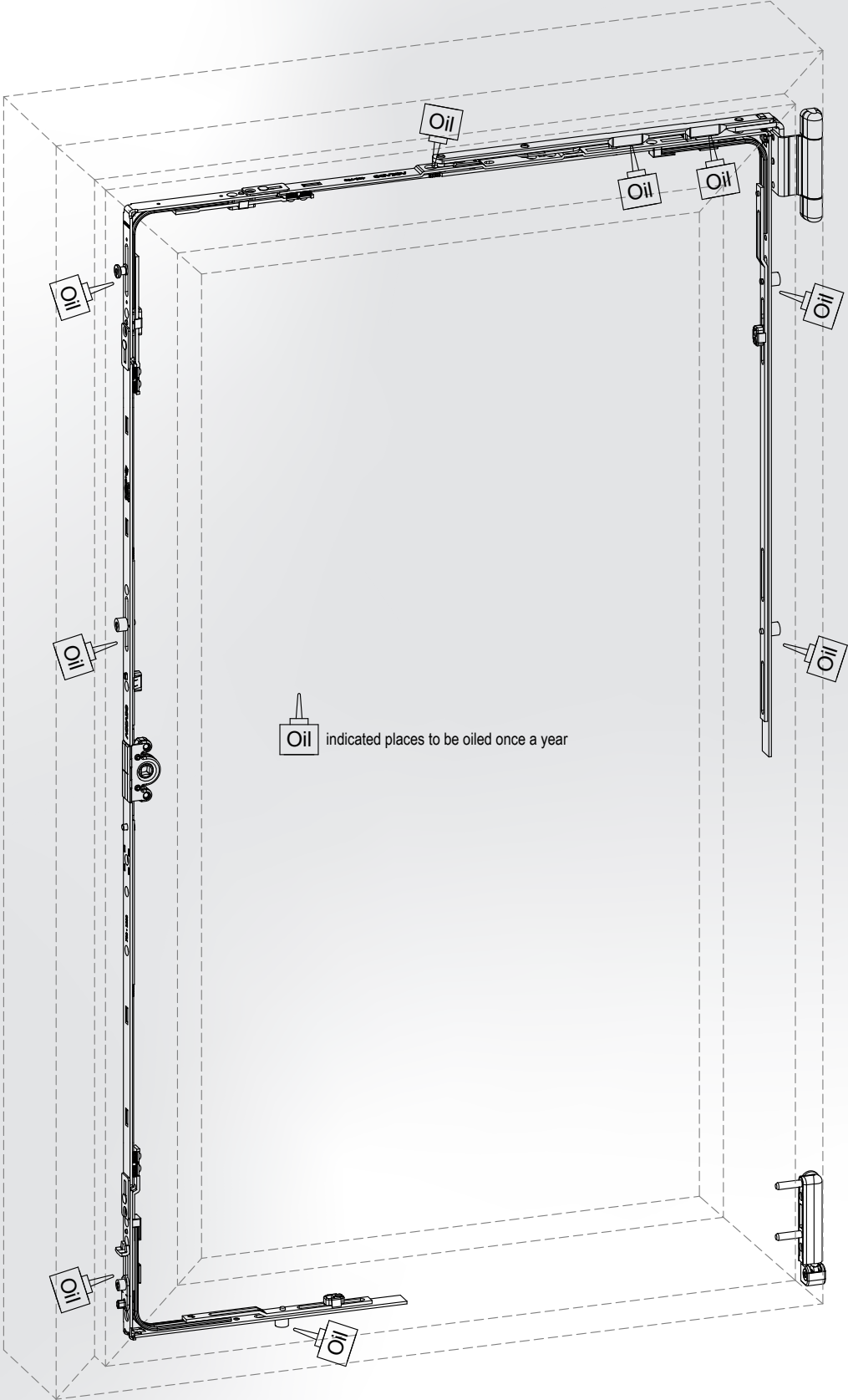
Wrong Operation Safety & Lifting Device Adjustment

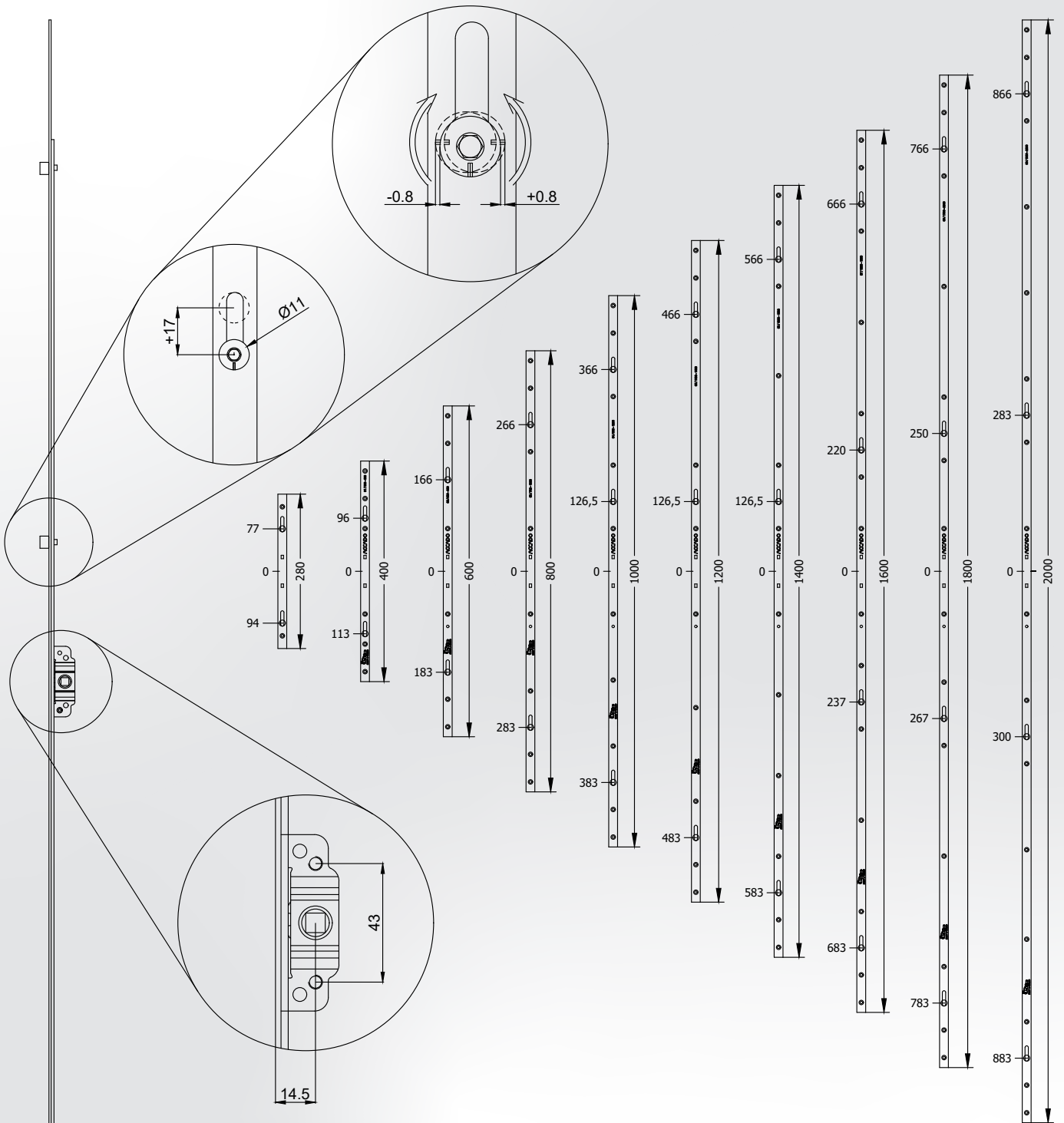


Wrong Operation Safety Device Adjustment



Rotated by Hand



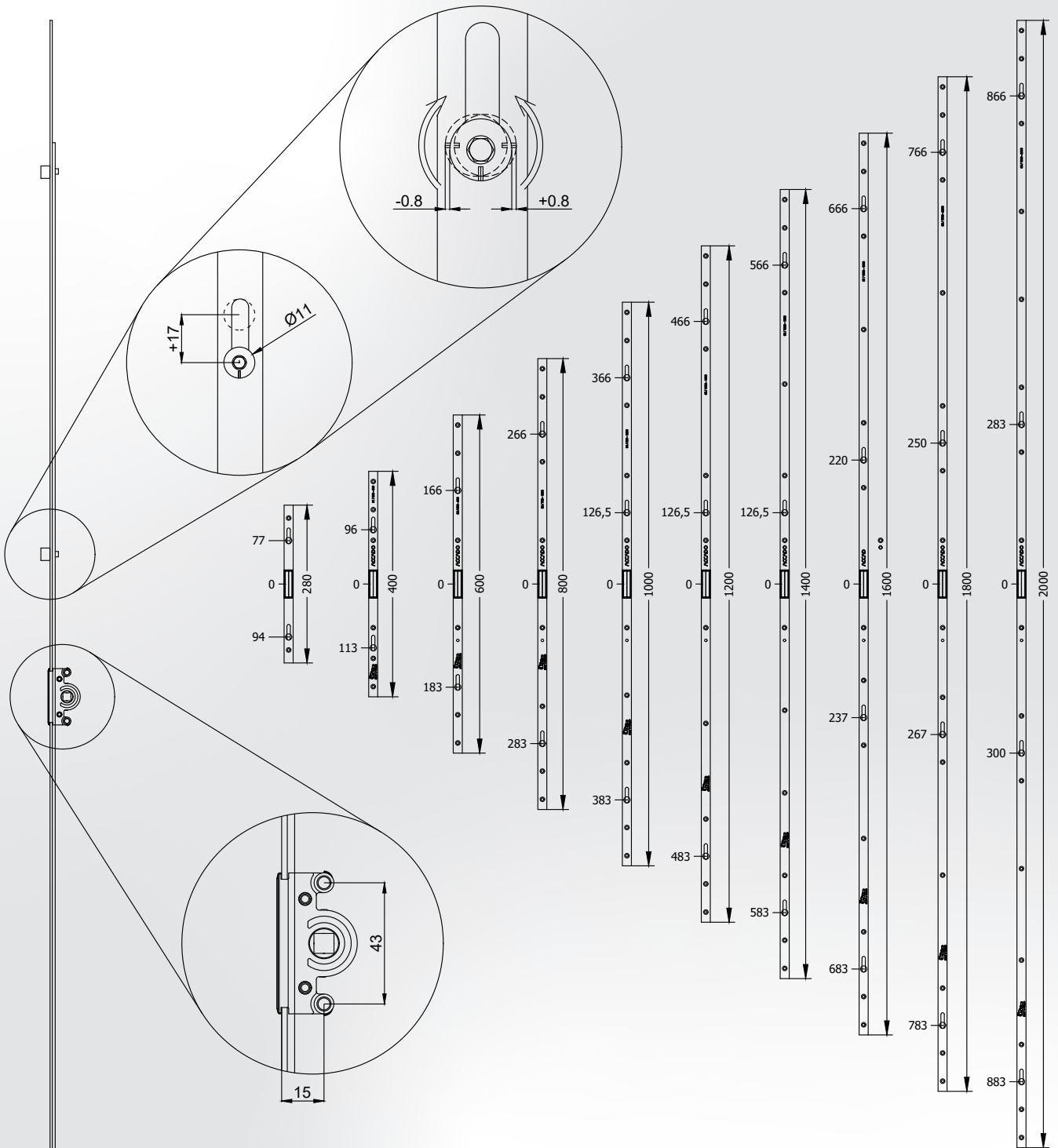


Article Nr.	SRH	Length	Seite	LP	Screw	PU
10071.0280.0.2	280 - 400	280	140 - 200	2	2	35
10071.0400.0.2	300 - 600	400	150 - 300	2	6	35
10071.0600.0.2	500 - 800	600	250 - 400	2	6	40
10071.0800.0.2	700 - 1000	800	350 - 500	2	8	40
10071.1000.0.2	900 - 1200	1000	450 - 600	3	10	40
10071.1200.0.2	1100 - 1400	1200	550 - 700	3	10	40
10071.1400.0.2	1300 - 1600	1400	650 - 800	3	12	20
10071.1600.0.2	1500 - 1800	1600	750 - 900	4	14	20
10071.1800.0.2	1700 - 2000	1800	850 - 1000	4	14	20
10071.2000.0.2	1900 - 2200	2000	950 - 1100	4	16	20

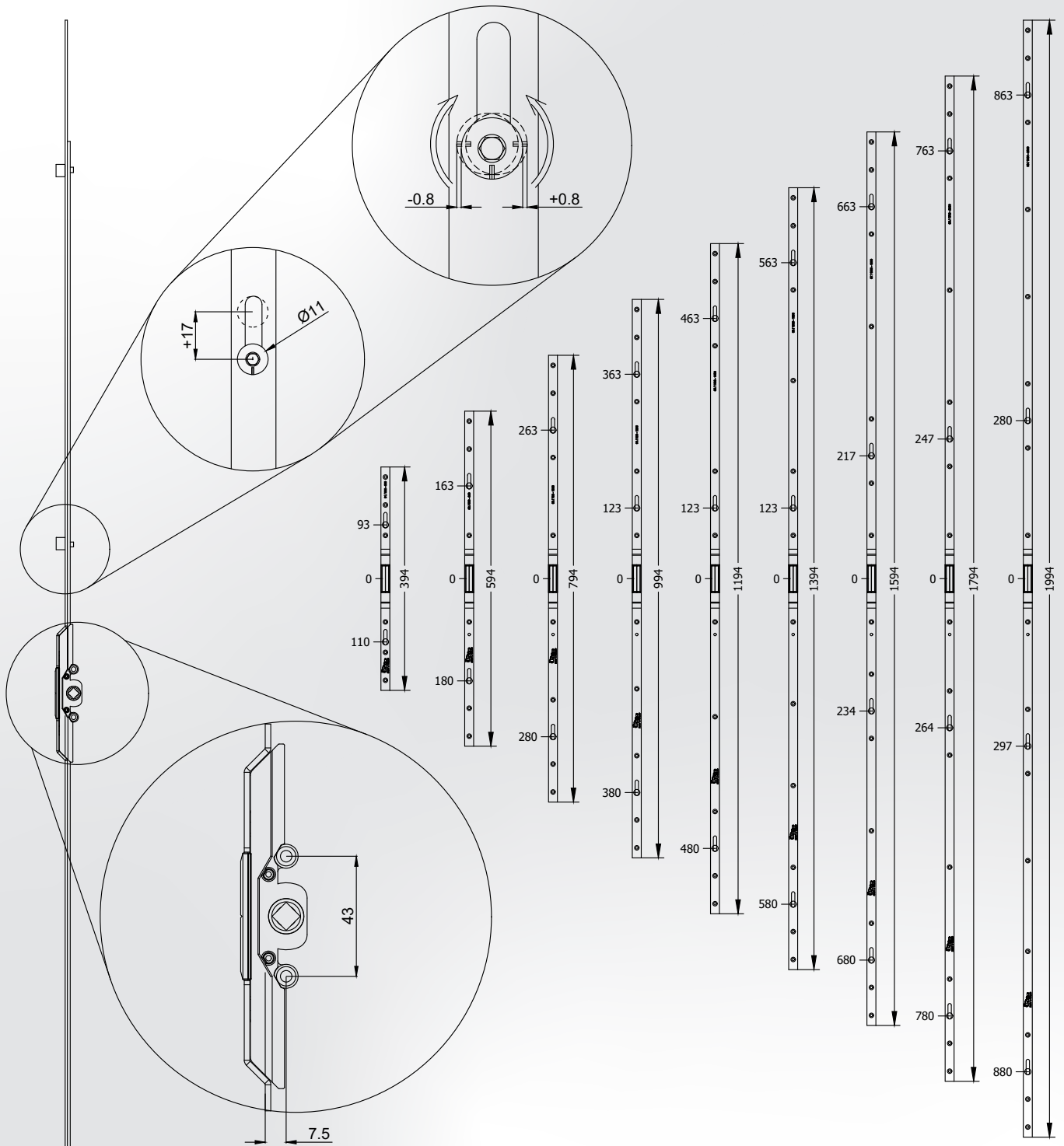


Side Hung GV Gear
Zinc Gear Box 15 mm Backset

ACCADO



Article Nr.	SRH	Length	Seite	LP	Screw	PU
10070.0280.0.2	280 - 400	280	140 - 200	2	2	35
10070.0400.0.2	300 - 600	400	150 - 300	2	6	35
10070.0600.0.2	500 - 800	600	250 - 400	2	6	40
10070.0800.0.2	700 - 1000	800	350 - 500	2	8	40
10070.1000.0.2	900 - 1200	1000	450 - 600	3	10	40
10070.1200.0.2	1100 - 1400	1200	550 - 700	3	10	40
10070.1400.0.2	1300 - 1600	1400	650 - 800	3	12	20
10070.1600.0.2	1500 - 1800	1600	750 - 900	4	14	20
10070.1800.0.2	1700 - 2000	1800	850 - 1000	4	14	20
10070.2000.0.2	1900 - 2200	2000	950 - 1100	4	16	20

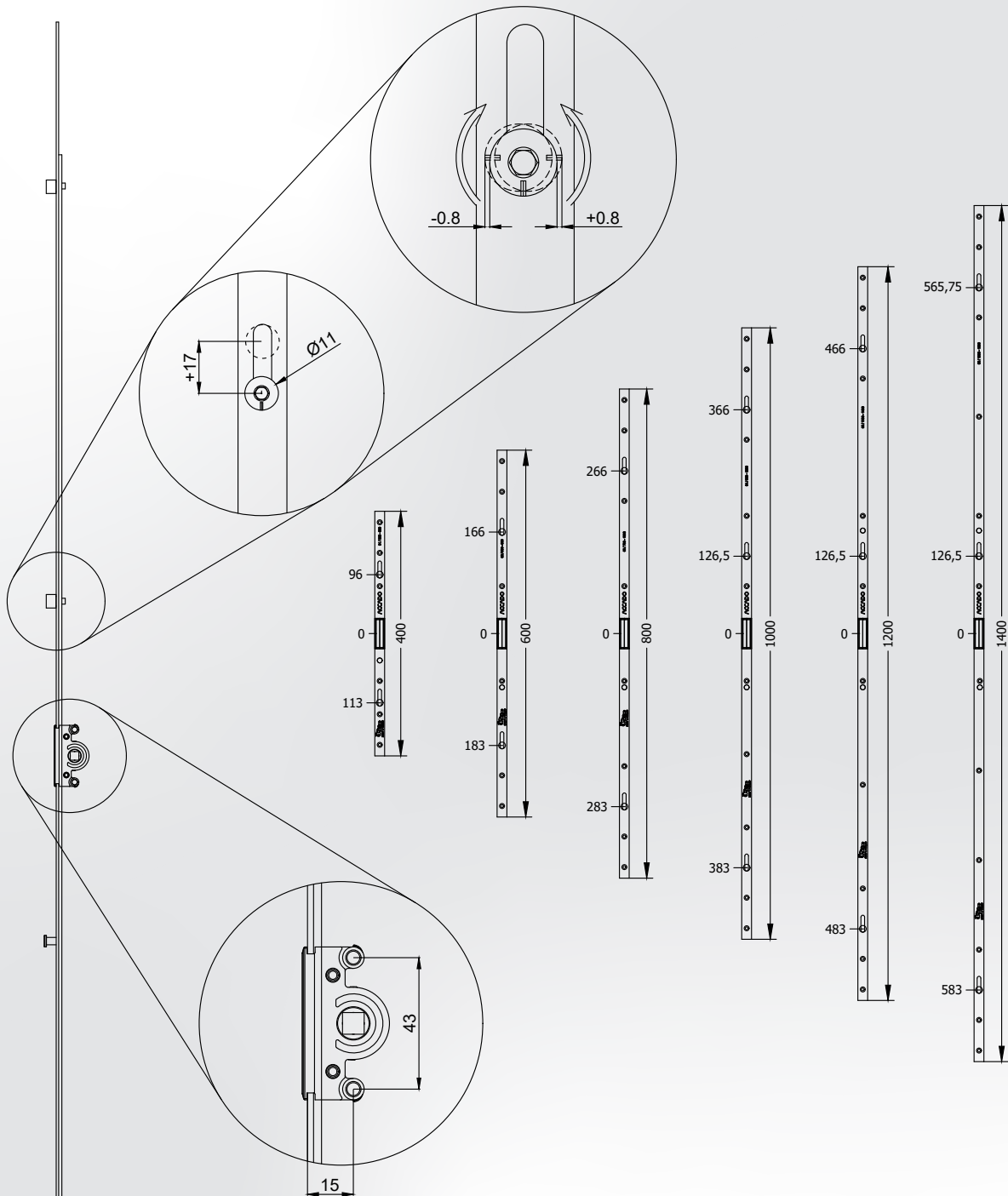


Article Nr.	SRH	Length	Seite	LP	Screw	PU
10486.0400.0.2	300 - 600	394	150 - 300	2	6	35
10486.0600.0.2	500 - 800	594	250 - 400	2	6	40
10486.0800.0.2	700 - 1000	794	350 - 500	2	8	40
10486.1000.0.2	900 - 1200	994	450 - 600	3	10	40
10486.1200.0.2	1100 - 1400	1194	550 - 700	3	10	40
10486.1400.0.2	1300 - 1600	1394	650 - 800	3	12	20
10486.1600.0.2	1500 - 1800	1594	750 - 900	4	14	20
10486.1800.0.2	1700 - 2000	1794	850 - 1000	4	14	20
10486.2000.0.2	1900 - 2200	1994	950 - 1100	4	16	20

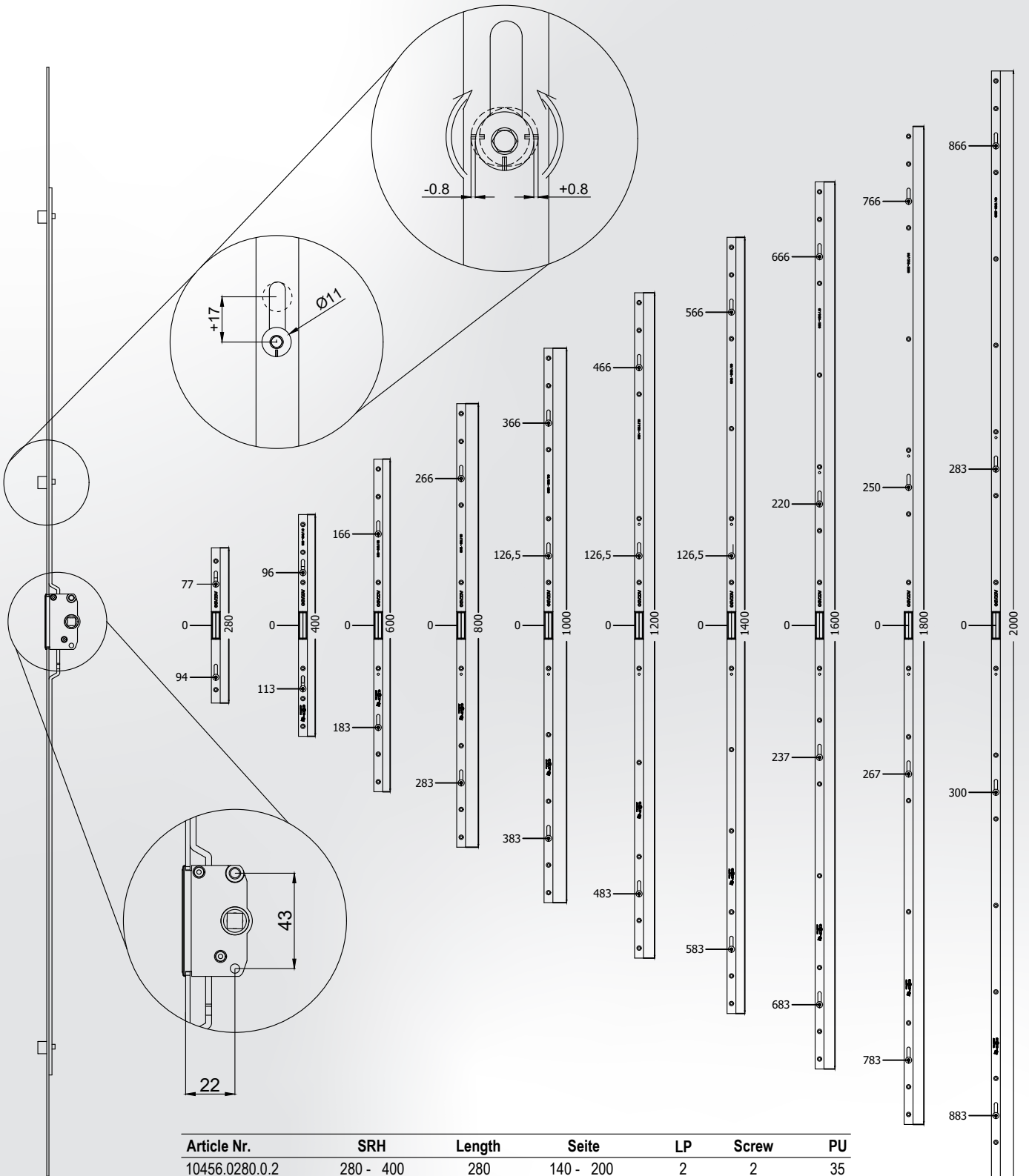


Side Hung GV Gear
Zinc Gear Box 15 mm Backset - Linked Tilt Stay Arm

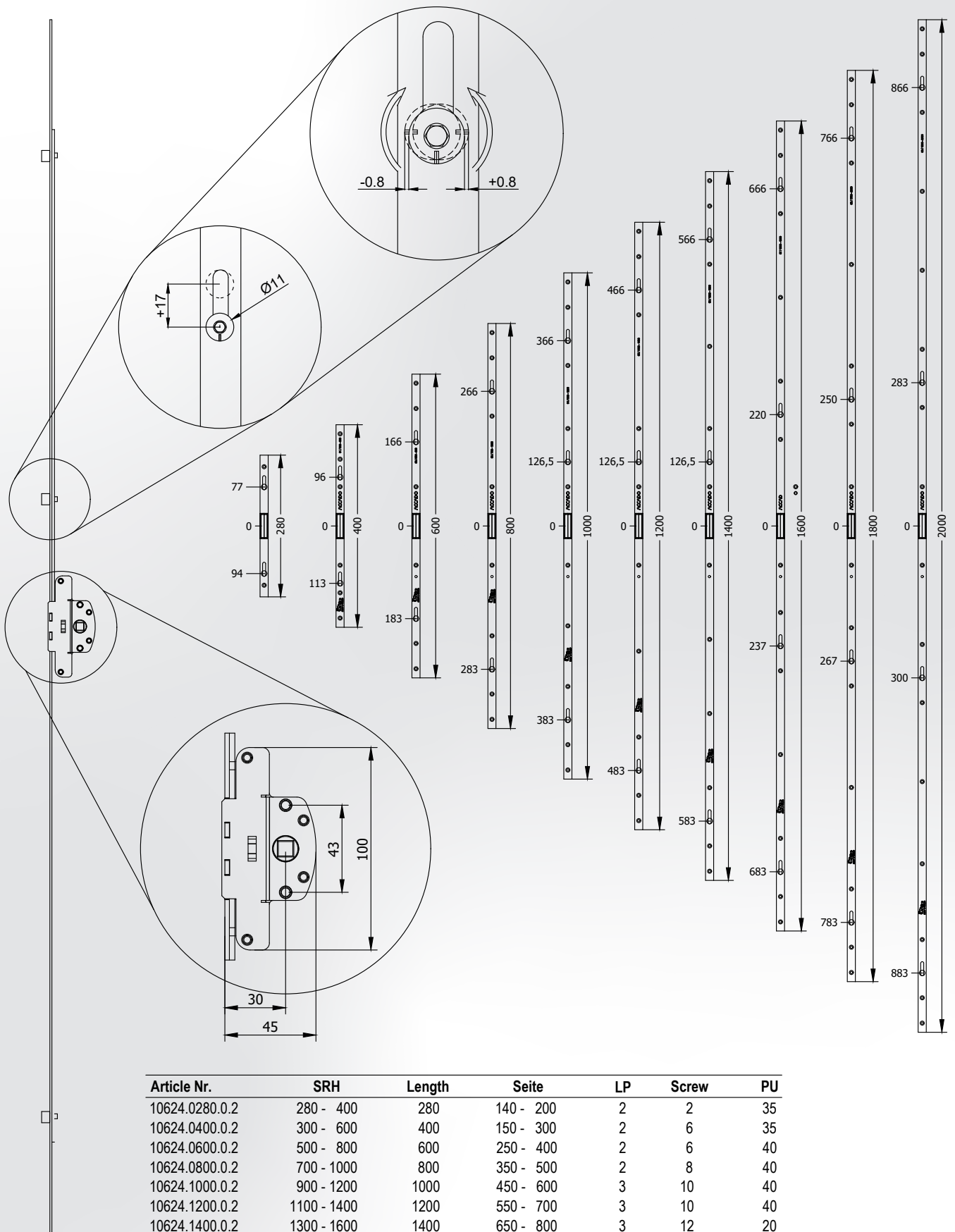
ACCADO

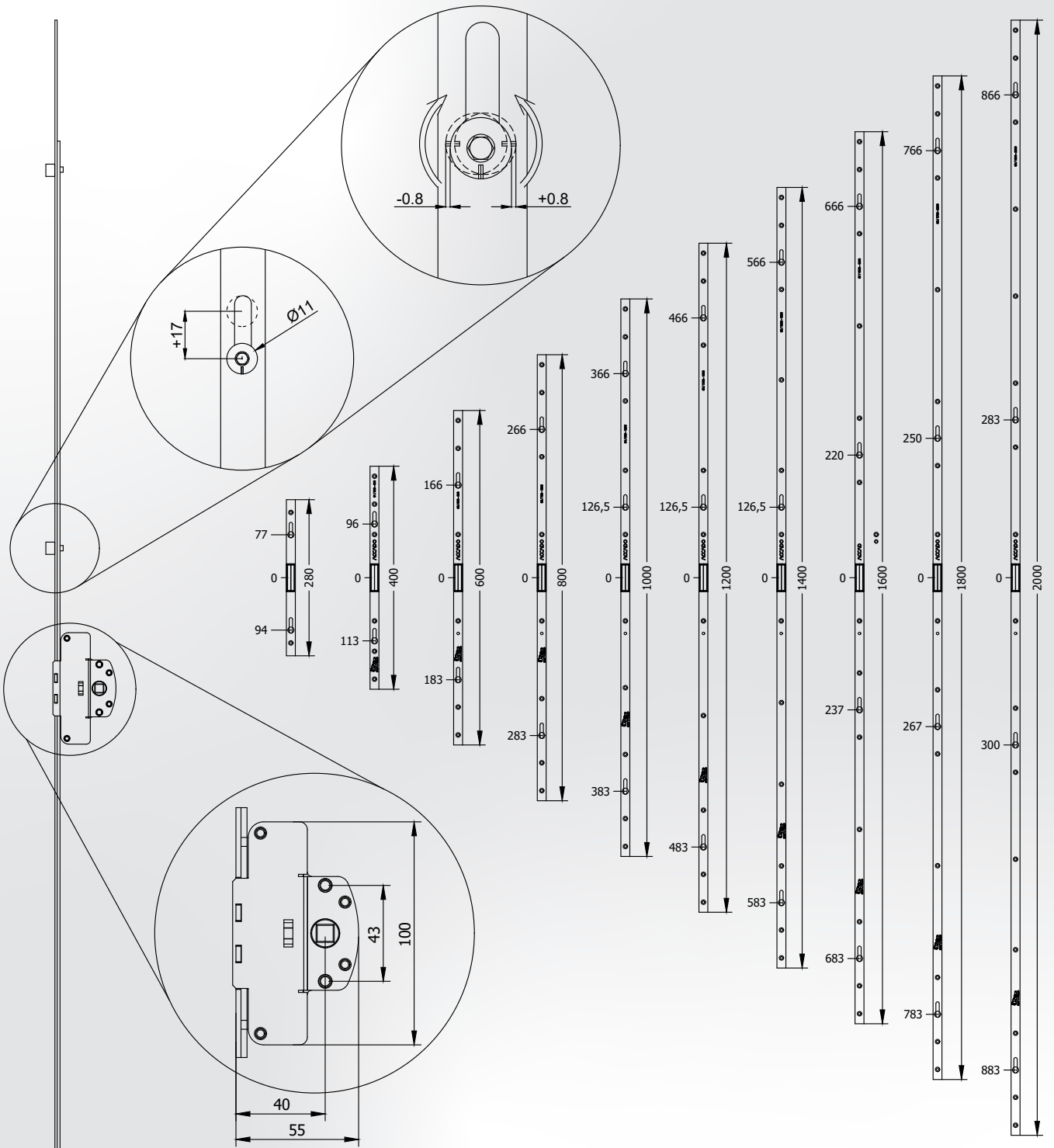


Article Nr.	SRH	Length	Seite	LP	Screw	PU
10395.0400.0.2	300 - 600	400	150 - 300	2	6	35
10395.0600.0.2	500 - 800	600	250 - 400	2	6	40
10395.0800.0.2	700 - 1000	800	350 - 500	2	8	40
10395.1000.0.2	900 - 1200	1000	450 - 600	3	10	40
10395.1200.0.2	1100 - 1400	1200	550 - 700	3	10	40
10395.1400.0.2	1300 - 1600	1400	650 - 800	3	12	20



Article Nr.	SRH	Length	Seite	LP	Screw	PU
10456.0280.0.2	280 - 400	280	140 - 200	2	2	35
10456.0400.0.2	300 - 600	400	150 - 300	2	6	35
10456.0600.0.2	500 - 800	600	250 - 400	2	6	40
10456.0800.0.2	700 - 1000	800	350 - 500	2	8	40
10456.1000.0.2	900 - 1200	1000	450 - 600	3	10	40
10456.1200.0.2	1100 - 1400	1200	550 - 700	3	10	40
10456.1400.0.2	1300 - 1600	1400	650 - 800	3	12	20
10456.1600.0.2	1500 - 1800	1600	750 - 900	4	14	20
10456.1800.0.2	1700 - 2000	1800	850 - 1000	4	14	20
10456.2000.0.2	1900 - 2200	2000	950 - 1100	4	16	20



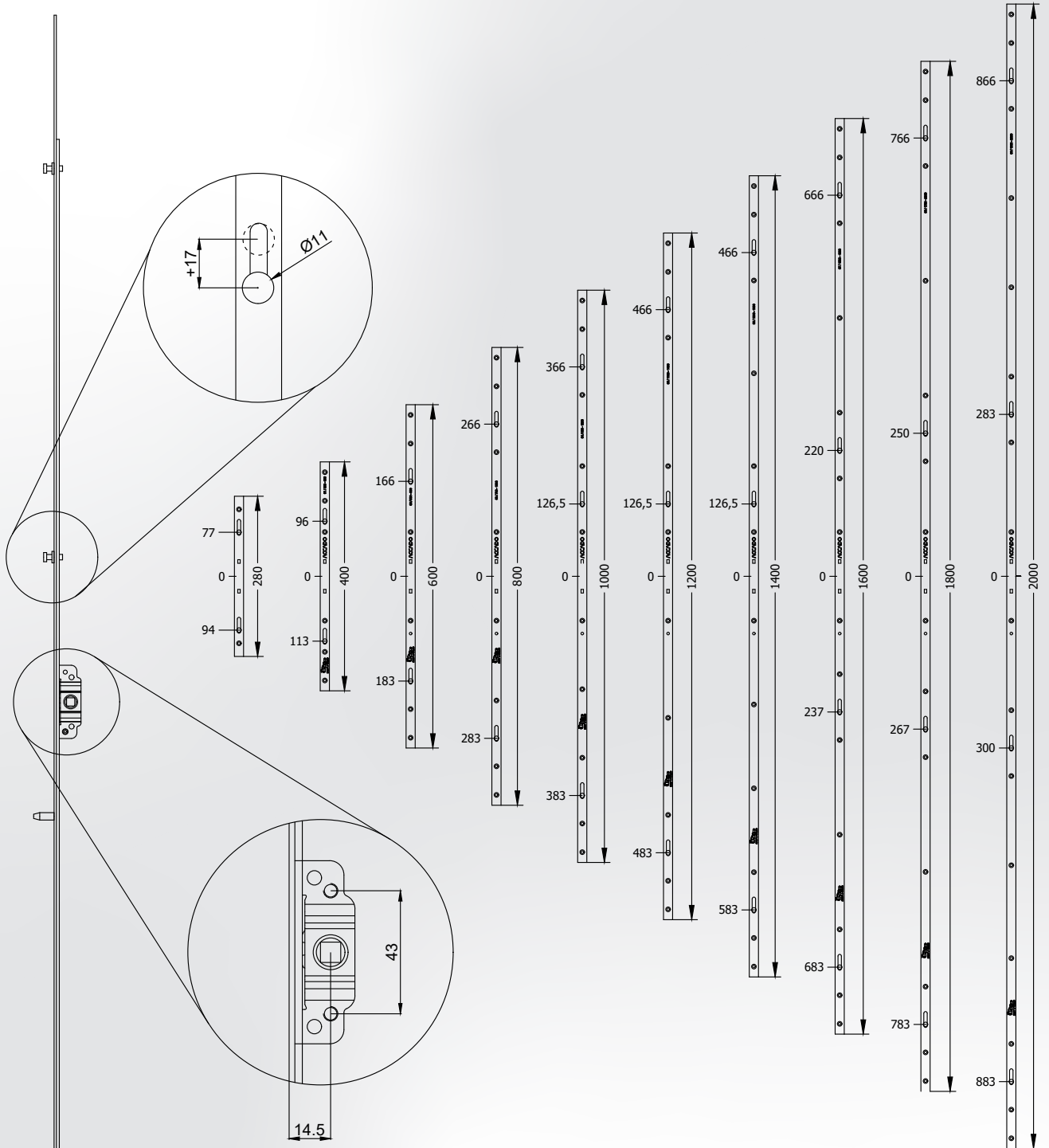


Article Nr.	SRH	Length	Seite	LP	Screw	PU
10625.0280.0.2	280 - 400	280	140 - 200	2	2	35
10625.0400.0.2	300 - 600	400	150 - 300	2	6	35
10625.0600.0.2	500 - 800	600	250 - 400	2	6	40
10625.0800.0.2	700 - 1000	800	350 - 500	2	8	40
10625.1000.0.2	900 - 1200	1000	450 - 600	3	10	40
10625.1200.0.2	1100 - 1400	1200	550 - 700	3	10	40
10625.1400.0.2	1300 - 1600	1400	650 - 800	3	12	20
10625.1600.0.2	1500 - 1800	1600	750 - 900	4	14	20
10625.1800.0.2	1700 - 2000	1800	850 - 1000	4	14	20
10625.2000.0.2	1900 - 2200	2000	950 - 1100	4	16	20

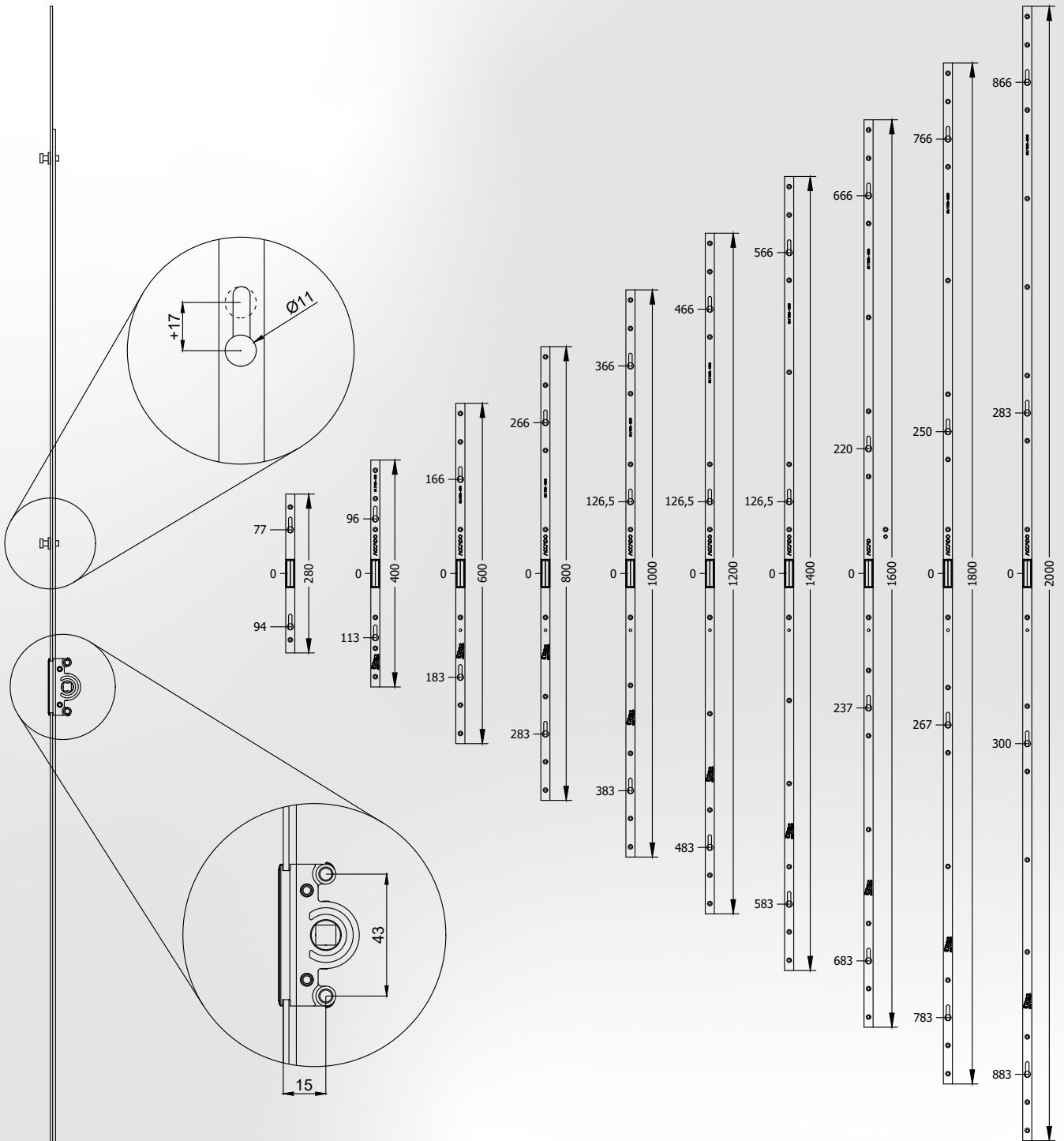


Sliding GV Gear
Steel Gear Box 15 mm Backset

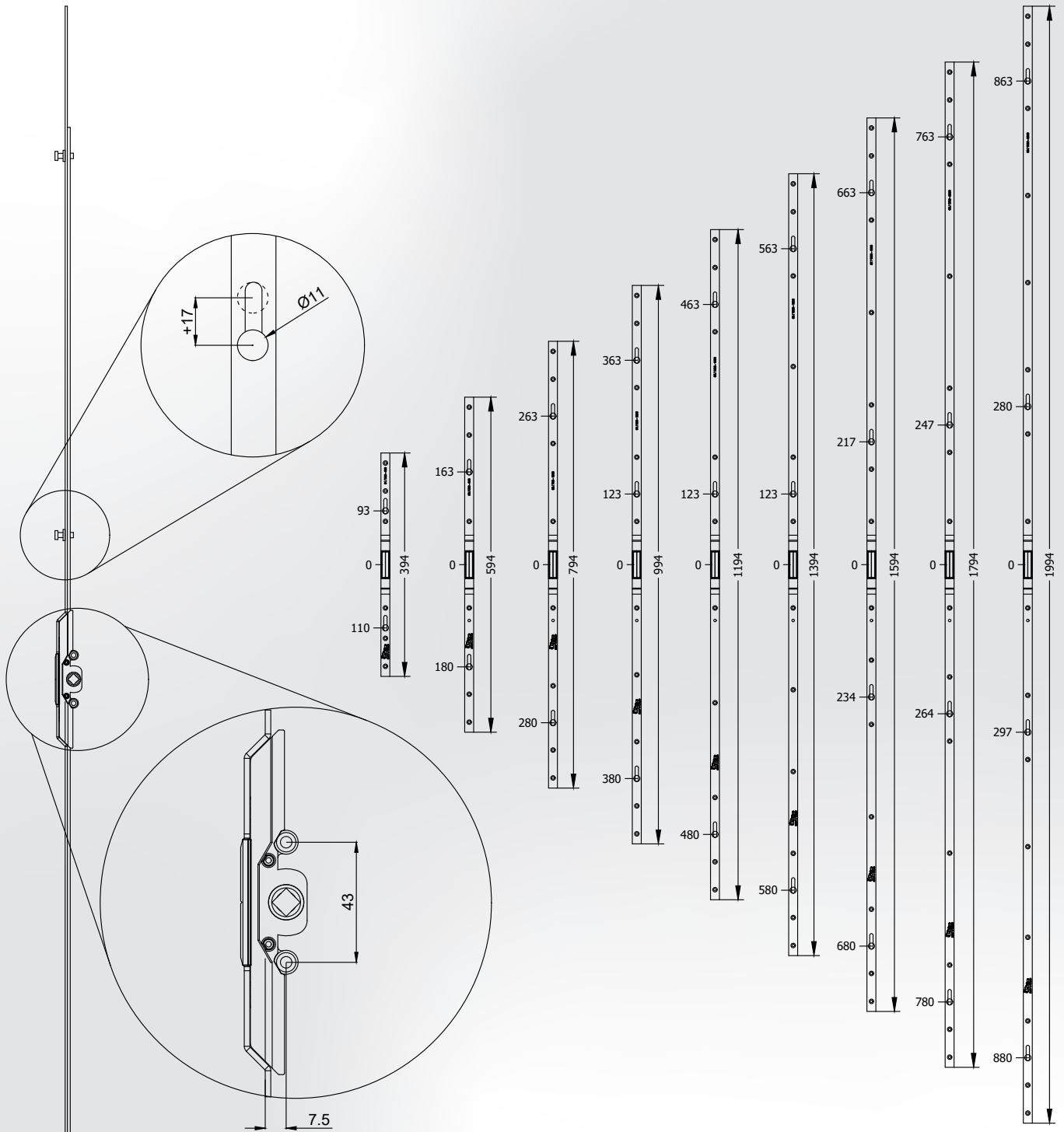
ACCADO



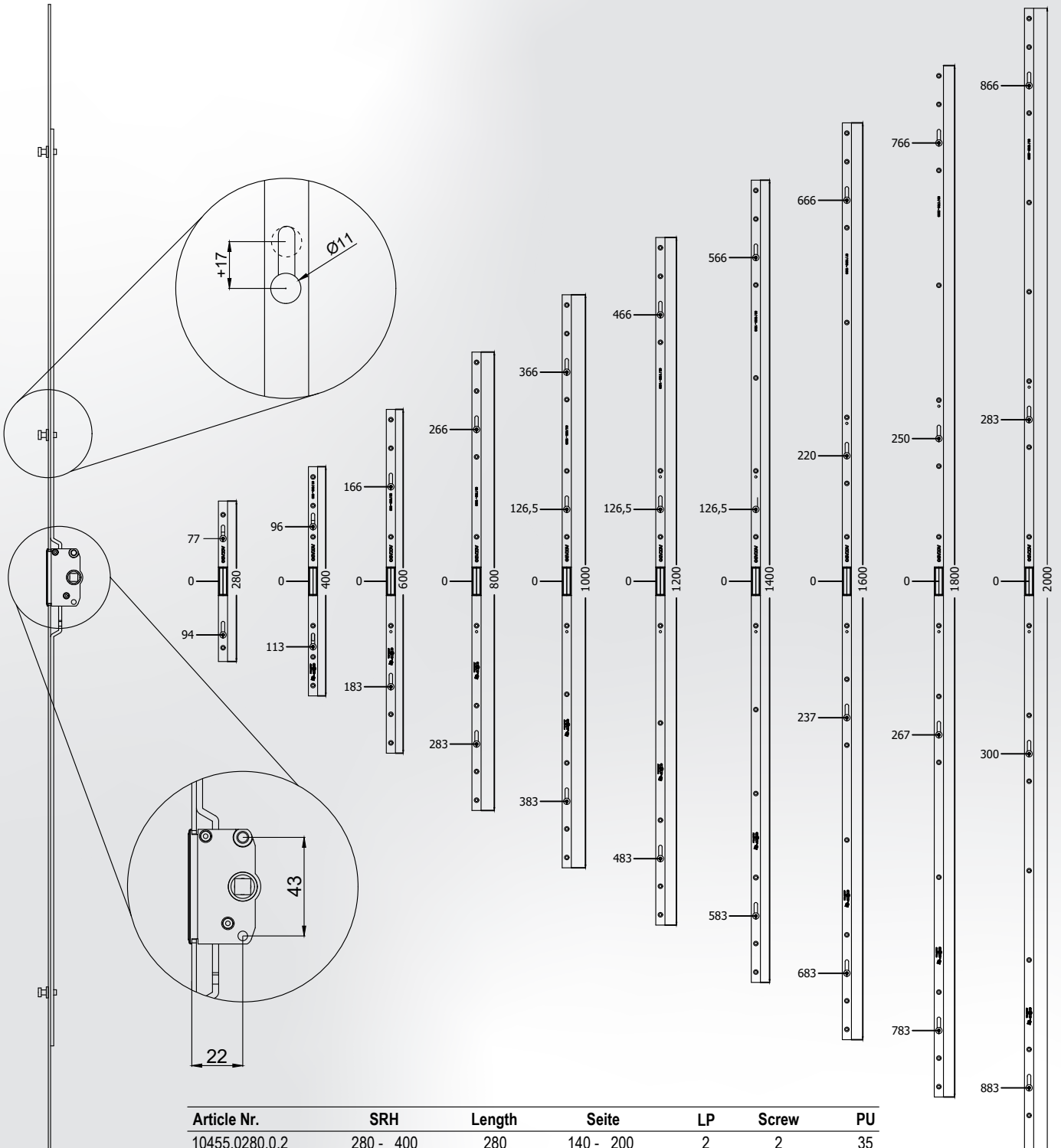
Article Nr.	SRH	Length	Seite	LP	Screw	PU
10072.0280.0.2	280 - 400	280	140 - 200	2	2	35
10072.0400.0.2	300 - 600	400	150 - 300	2	6	35
10072.0600.0.2	500 - 800	600	250 - 400	2	6	40
10072.0800.0.2	700 - 1000	800	350 - 500	2	8	40
10072.1000.0.2	900 - 1200	1000	450 - 600	3	10	40
10072.1200.0.2	1100 - 1400	1200	550 - 700	3	10	40
10072.1400.0.2	1300 - 1600	1400	650 - 800	3	12	20
10072.1600.0.2	1500 - 1800	1600	750 - 900	4	14	20
10072.1800.0.2	1700 - 2000	1800	850 - 1000	4	14	20
10072.2000.0.2	1900 - 2200	2000	950 - 1100	4	16	20



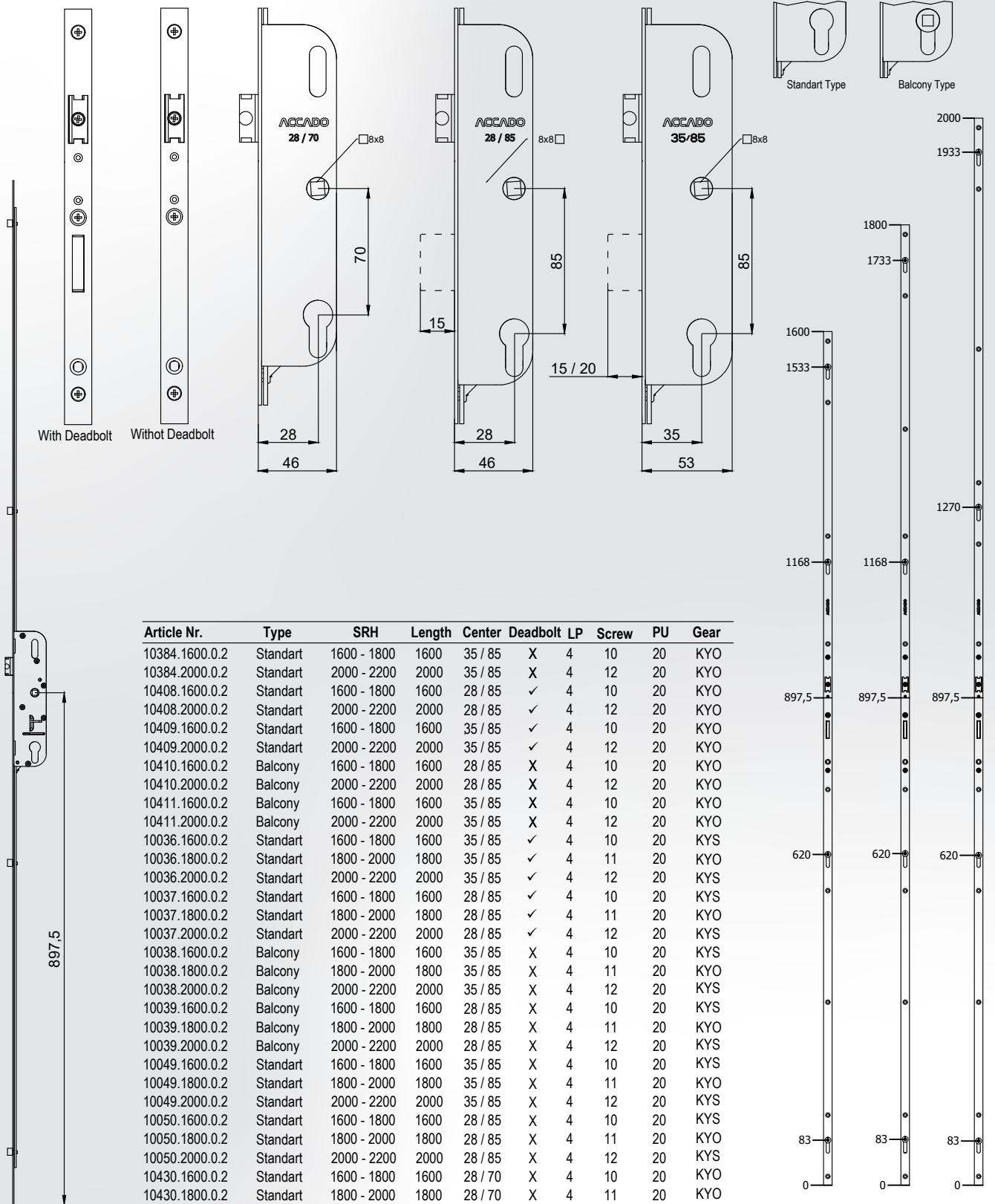
Article Nr.	SRH	Length	Seite	LP	Screw	PU
10073.0280.0.2	280 - 400	280	140 - 200	2	2	35
10073.0400.0.2	300 - 600	400	150 - 300	2	6	35
10073.0600.0.2	500 - 800	600	250 - 400	2	6	40
10073.0800.0.2	700 - 1000	800	350 - 500	2	8	40
10073.1000.0.2	900 - 1200	1000	450 - 600	3	10	40
10073.1200.0.2	1100 - 1400	1200	550 - 700	3	10	40
10073.1400.0.2	1300 - 1600	1400	650 - 800	3	12	20
10073.1600.0.2	1500 - 1800	1600	750 - 900	4	14	20
10073.1800.0.2	1700 - 2000	1800	850 - 1000	4	14	20
10073.2000.0.2	1900 - 2200	2000	950 - 1100	4	16	20



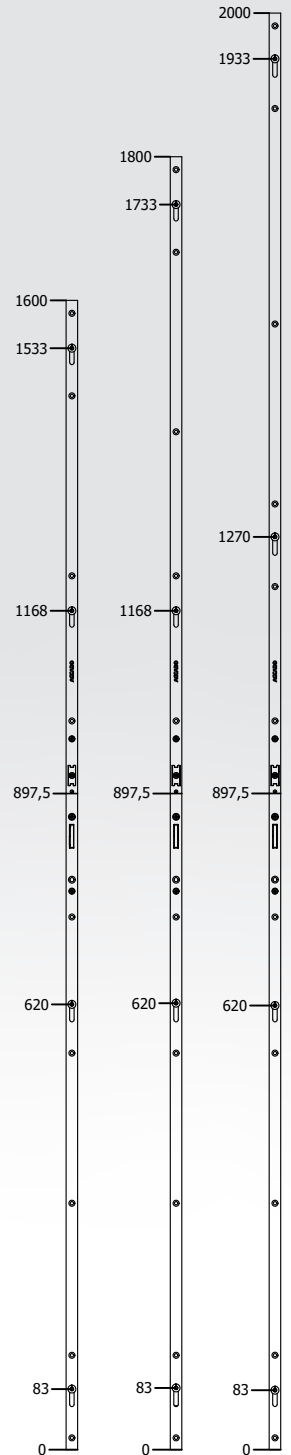
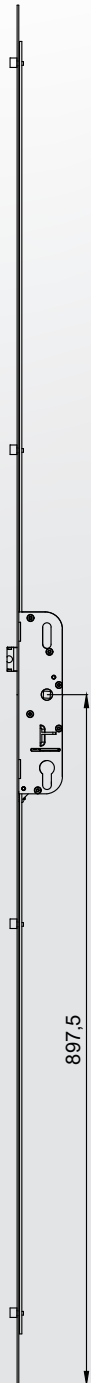
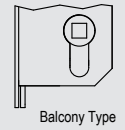
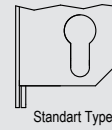
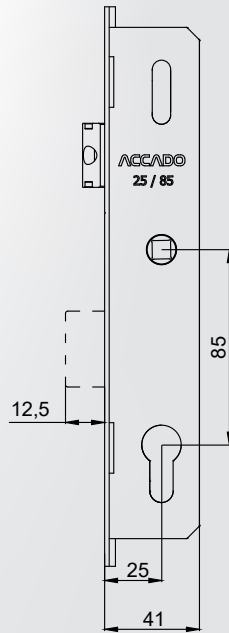
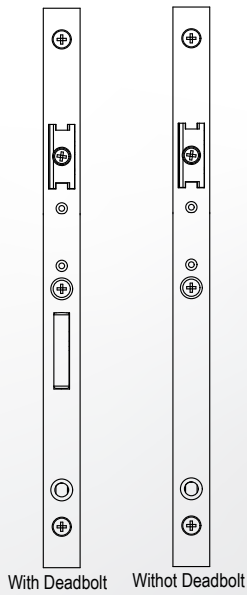
Article Nr.	SRH	Length	Seite	LP	Screw	PU
10487.0400.0.2	300 - 600	394	150 - 300	2	6	35
10487.0600.0.2	500 - 800	594	250 - 400	2	6	40
10487.0800.0.2	700 - 1000	794	350 - 500	2	8	40
10487.1000.0.2	900 - 1200	994	450 - 600	3	10	40
10487.1200.0.2	1100 - 1400	1194	550 - 700	3	10	40
10487.1400.0.2	1300 - 1600	1394	650 - 800	3	12	20
10487.1600.0.2	1500 - 1800	1594	750 - 900	4	14	20
10487.1800.0.2	1700 - 2000	1794	850 - 1000	4	14	20
10487.2000.0.2	1900 - 2200	1994	950 - 1100	4	16	20



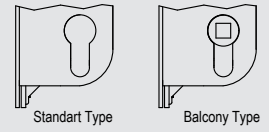
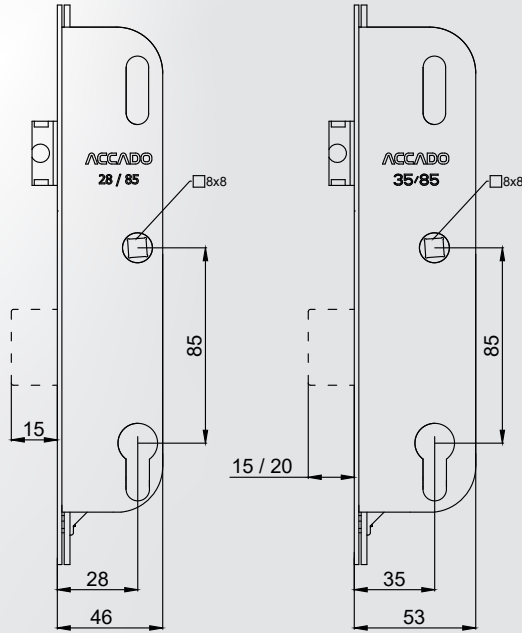
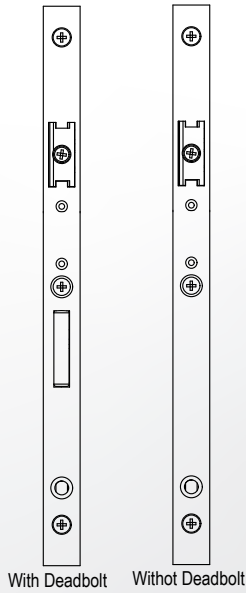
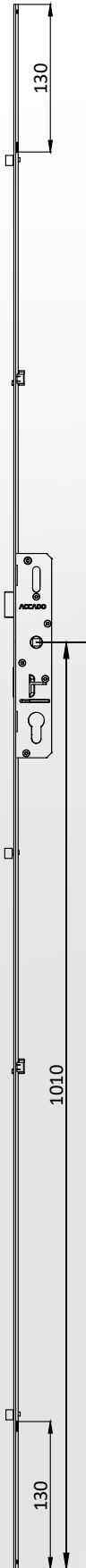
Article Nr.	SRH	Length	Seite	LP	Screw	PU
10455.0280.0.2	280 - 400	280	140 - 200	2	2	35
10455.0400.0.2	300 - 600	400	150 - 300	2	6	35
10455.0600.0.2	500 - 800	600	250 - 400	2	6	40
10455.0800.0.2	700 - 1000	800	350 - 500	2	8	40
10455.1000.0.2	900 - 1200	1000	450 - 600	3	10	40
10455.1200.0.2	1100 - 1400	1200	550 - 700	3	10	40
10455.1400.0.2	1300 - 1600	1400	650 - 800	3	12	20
10455.1600.0.2	1500 - 1800	1600	750 - 900	4	14	20
10455.1800.0.2	1700 - 2000	1800	850 - 1000	4	14	20
10455.2000.0.2	1900 - 2200	2000	950 - 1100	4	16	20



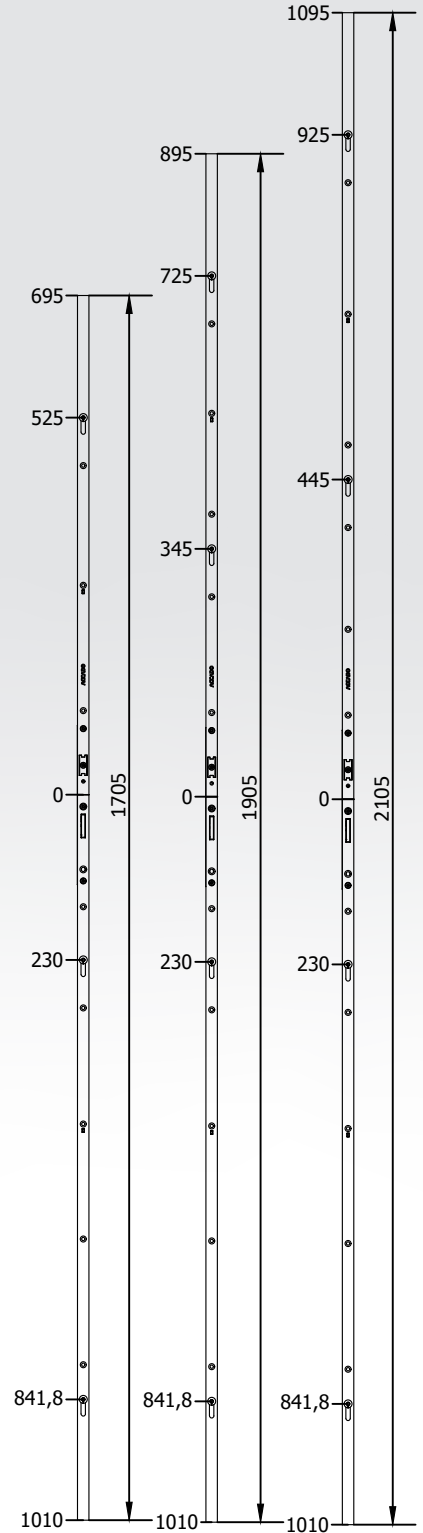
Article Nr.	Type	SRH	Length	Center	Deadbolt	LP	Screw	PU	Gear
10384.1600.0.2	Standart	1600 - 1800	1600	35 / 85	X	4	10	20	KYO
10384.2000.0.2	Standart	2000 - 2200	2000	35 / 85	X	4	12	20	KYO
10408.1600.0.2	Standart	1600 - 1800	1600	28 / 85	✓	4	10	20	KYO
10408.2000.0.2	Standart	2000 - 2200	2000	28 / 85	✓	4	12	20	KYO
10409.1600.0.2	Standart	1600 - 1800	1600	35 / 85	✓	4	10	20	KYO
10409.2000.0.2	Standart	2000 - 2200	2000	35 / 85	✓	4	12	20	KYO
10410.1600.0.2	Balcony	1600 - 1800	1600	28 / 85	X	4	10	20	KYO
10410.2000.0.2	Balcony	2000 - 2200	2000	28 / 85	X	4	12	20	KYO
10411.1600.0.2	Balcony	1600 - 1800	1600	35 / 85	X	4	10	20	KYO
10411.2000.0.2	Balcony	2000 - 2200	2000	35 / 85	X	4	12	20	KYO
10036.1600.0.2	Standart	1600 - 1800	1600	35 / 85	✓	4	10	20	KYS
10036.1800.0.2	Standart	1800 - 2000	1800	35 / 85	✓	4	11	20	KYO
10036.2000.0.2	Standart	2000 - 2200	2000	35 / 85	✓	4	12	20	KYS
10037.1600.0.2	Standart	1600 - 1800	1600	28 / 85	✓	4	10	20	KYS
10037.1800.0.2	Standart	1800 - 2000	1800	28 / 85	✓	4	11	20	KYO
10037.2000.0.2	Standart	2000 - 2200	2000	28 / 85	✓	4	12	20	KYS
10038.1600.0.2	Balcony	1600 - 1800	1600	35 / 85	X	4	10	20	KYS
10038.1800.0.2	Balcony	1800 - 2000	1800	35 / 85	X	4	11	20	KYO
10038.2000.0.2	Balcony	2000 - 2200	2000	35 / 85	X	4	12	20	KYS
10039.1600.0.2	Balcony	1600 - 1800	1600	28 / 85	X	4	10	20	KYS
10039.1800.0.2	Balcony	1800 - 2000	1800	28 / 85	X	4	11	20	KYO
10039.2000.0.2	Balcony	2000 - 2200	2000	28 / 85	X	4	12	20	KYS
10049.1600.0.2	Standart	1600 - 1800	1600	35 / 85	X	4	10	20	KYS
10049.1800.0.2	Standart	1800 - 2000	1800	35 / 85	X	4	11	20	KYO
10049.2000.0.2	Standart	2000 - 2200	2000	35 / 85	X	4	12	20	KYS
10050.1600.0.2	Standart	1600 - 1800	1600	28 / 85	X	4	10	20	KYS
10050.1800.0.2	Standart	1800 - 2000	1800	28 / 85	X	4	11	20	KYO
10050.2000.0.2	Standart	2000 - 2200	2000	28 / 85	X	4	12	20	KYS
10430.1600.0.2	Standart	1600 - 1800	1600	28 / 70	X	4	10	20	KYO
10430.1800.0.2	Standart	1800 - 2000	1800	28 / 70	X	4	11	20	KYO
10430.2000.0.2	Standart	2000 - 2200	2000	28 / 70	X	4	12	20	KYO
10431.1600.0.2	Balcony	1600 - 1800	1600	28 / 70	X	4	10	20	KYO
10431.1800.0.2	Balcony	1800 - 2000	1800	28 / 70	X	4	11	20	KYO
10431.2000.0.2	Balcony	2000 - 2200	2000	28 / 70	X	4	12	20	KYO



Article Nr.	Type	SRH	Length	Center	Deadbolt	LP	Screw	PU	Gear
10412.1600.0.2	Standart	1600 - 1800	1600	25 / 85	✓	4	10	20	KYS
10412.1800.0.2	Standart	1800 - 2000	1800	25 / 85	✓	4	11	20	KYO
10412.2000.0.2	Standart	2000 - 2200	2000	25 / 85	✓	4	12	20	KYS
10413.1600.0.2	Standart	1600 - 1800	1600	25 / 85	X	4	10	20	KYS
10413.1800.0.2	Standart	1800 - 2000	1800	25 / 85	X	4	11	20	KYO
10413.2000.0.2	Standart	2000 - 2200	2000	25 / 85	X	4	12	20	KYS
10414.1600.0.2	Balcony	1600 - 1800	1600	25 / 85	X	4	10	20	KYS
10414.1800.0.2	Balcony	1800 - 2000	1800	25 / 85	X	4	11	20	KYO
10414.2000.0.2	Balcony	2000 - 2200	2000	25 / 85	X	4	12	20	KYS
10415.1600.0.2	Standart	1600 - 1800	1600	25 / 85	X	4	10	20	KYO
10415.2000.0.2	Standart	2000 - 2200	2000	25 / 85	X	4	12	20	KYO
10416.1600.0.2	Balcony	1600 - 1800	1600	25 / 85	X	4	10	20	KYO
10416.2000.0.2	Balcony	2000 - 2200	2000	25 / 85	X	4	12	20	KYO
10417.1600.0.2	Standart	1600 - 1800	1600	25 / 85	✓	4	10	20	KYO
10417.2000.0.2	Standart	2000 - 2200	2000	25 / 85	✓	4	12	20	KYO



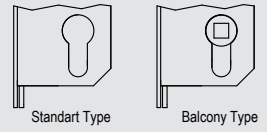
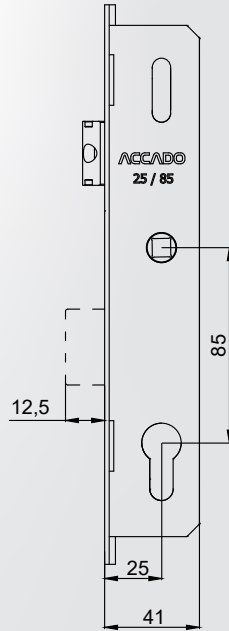
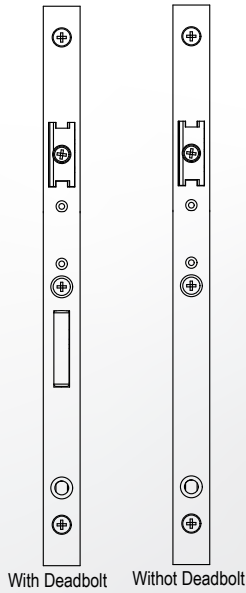
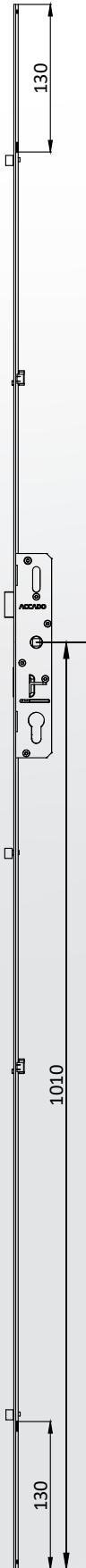
Article Nr.	Type	SRH	Length	Center	Deadbolt	LP	Screw	PU	Gear
10603.1705.0.2	Standart	1750 - 1950	1705	28 / 85	✓	3	10	20	KYO
10603.1905.0.2	Standart	1950 - 2150	1905	28 / 85	✓	4	11	20	KYO
10603.2105.0.2	Standart	2150 - 2350	2105	28 / 85	✓	4	12	20	KYO
10604.1705.0.2	Standart	1750 - 1950	1705	35 / 85	✓	3	10	20	KYO
10604.1905.0.2	Standart	1950 - 2150	1905	35 / 85	✓	4	11	20	KYO
10604.2105.0.2	Standart	2150 - 2350	2105	35 / 85	✓	4	12	20	KYO
10609.1705.0.2	Standart	1750 - 1950	1705	28 / 85	X	3	10	20	KYO
10609.1905.0.2	Standart	1950 - 2150	1905	28 / 85	X	4	11	20	KYO
10609.2105.0.2	Standart	2150 - 2350	2105	28 / 85	X	4	12	20	KYO
10610.1705.0.2	Standart	1750 - 1950	1705	35 / 85	X	3	10	20	KYO
10610.1905.0.2	Standart	1950 - 2150	1905	35 / 85	X	4	11	20	KYO
10610.2105.0.2	Standart	2150 - 2350	2105	35 / 85	X	4	12	20	KYO
10612.1705.0.2	Balcony	1750 - 1950	1705	28 / 85	X	3	10	20	KYO
10612.1905.0.2	Balcony	1950 - 2150	1905	28 / 85	X	4	11	20	KYO
10612.2105.0.2	Balcony	2150 - 2350	2105	28 / 85	X	4	12	20	KYO
10613.1705.0.2	Balcony	1750 - 1950	1705	35 / 85	X	3	10	20	KYO
10613.1905.0.2	Balcony	1950 - 2150	1905	35 / 85	X	4	11	20	KYO
10613.2105.0.2	Balcony	2150 - 2350	2105	35 / 85	X	4	12	20	KYO



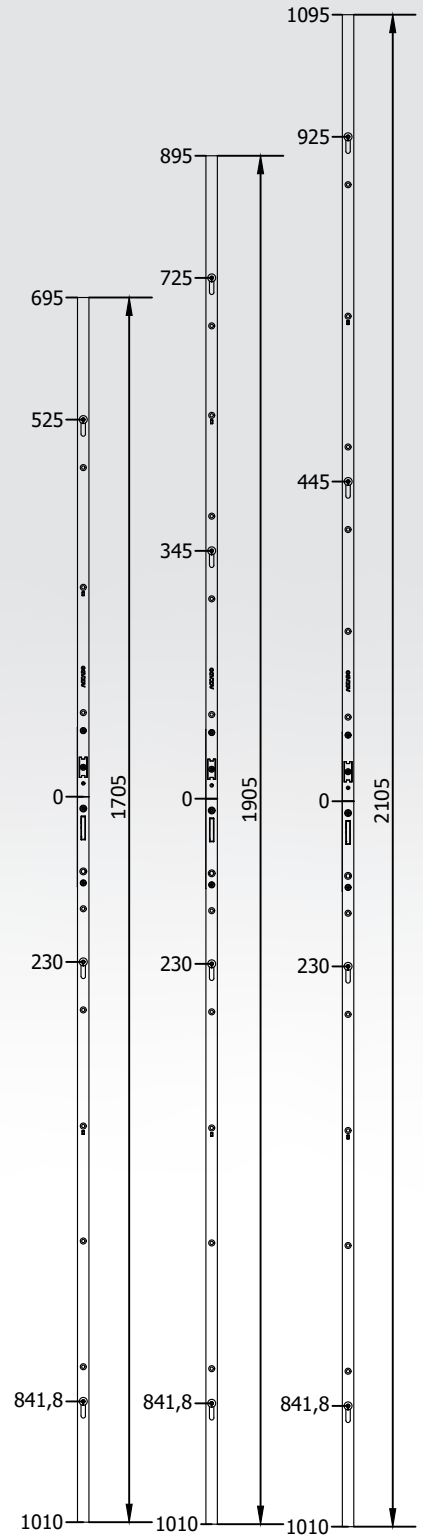


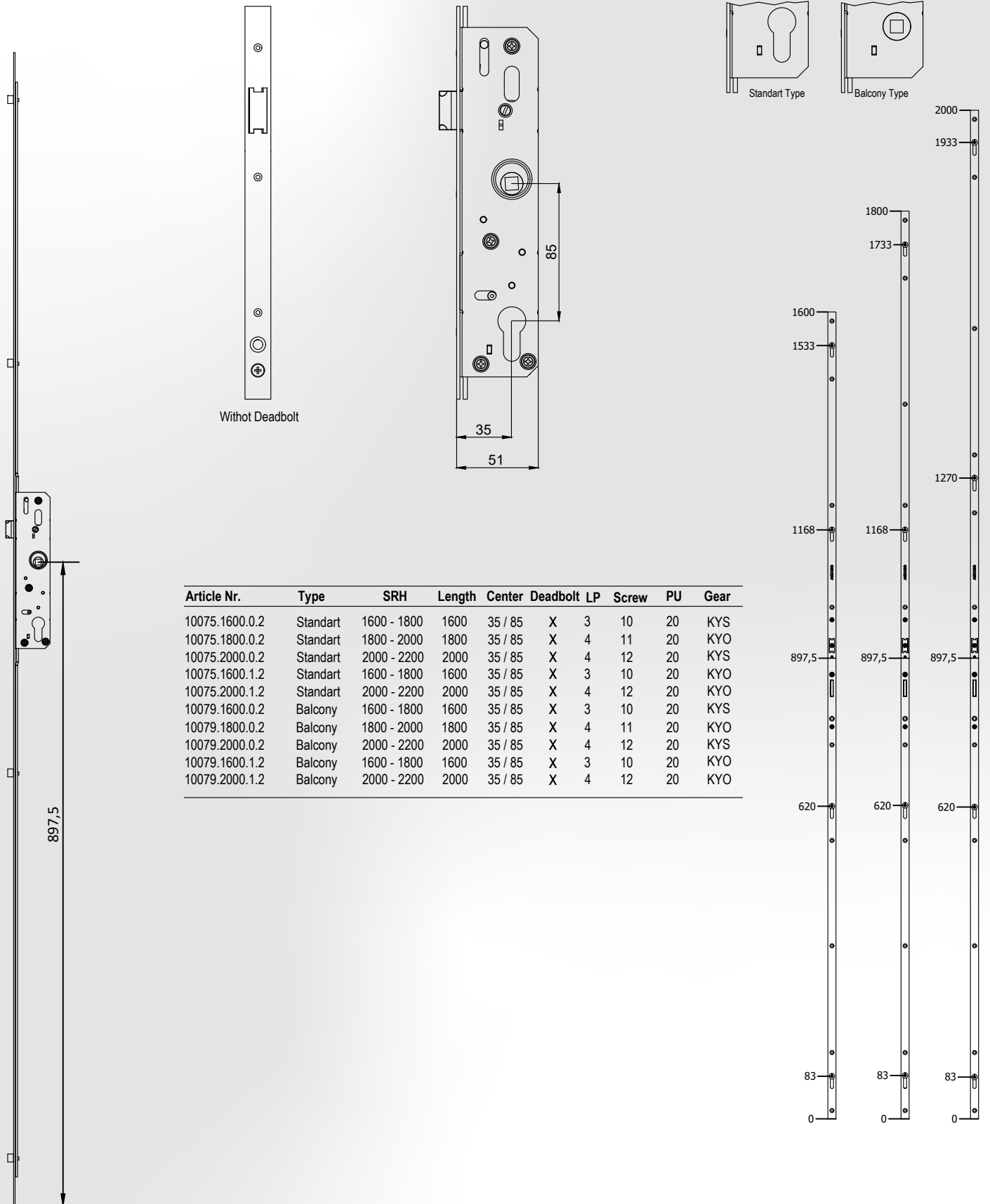
Door Lock Espagnolettes
Steel Body Cuttable - 25/85

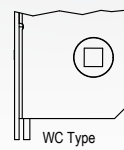
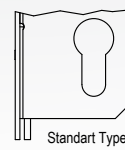
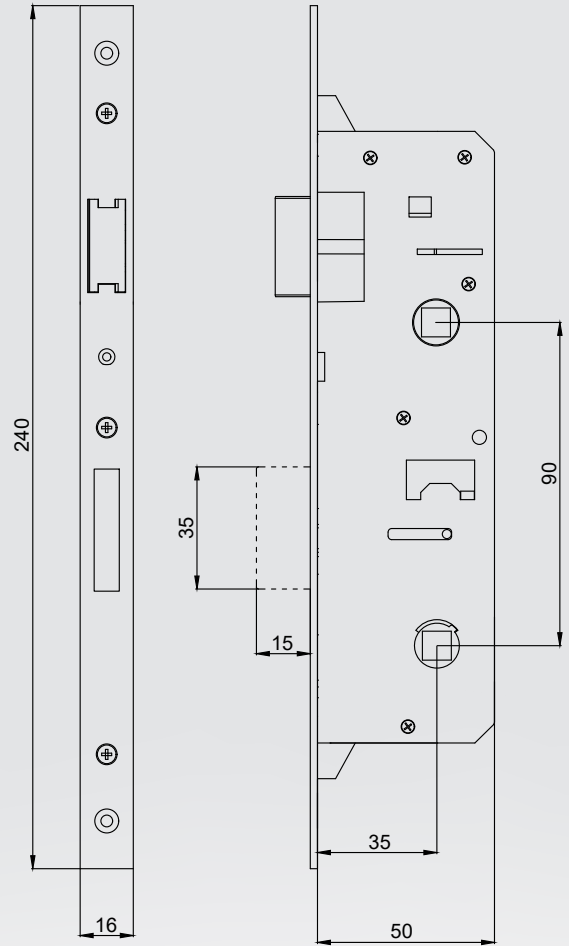
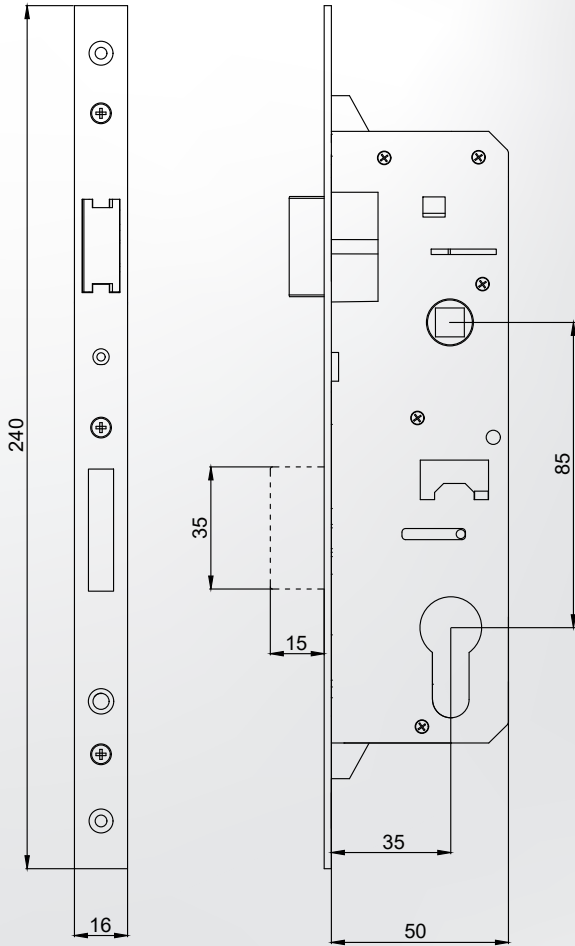
ACCADO



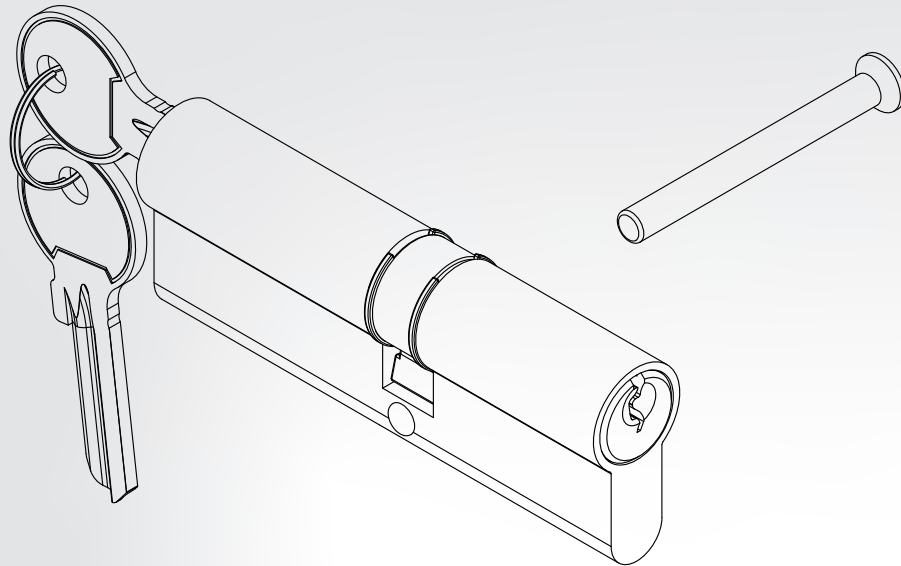
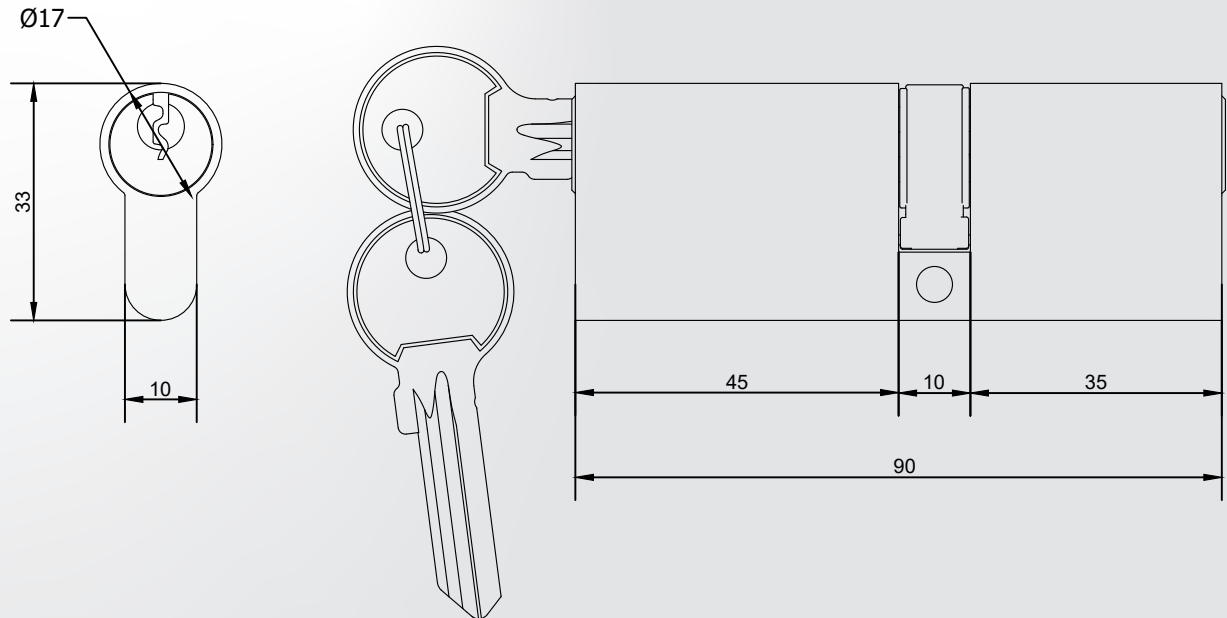
Article Nr.	Type	SRH	Length	Center	Deadbolt	LP	Screw	PU	Gear
10601.1705.0.2	Standart	1750 - 1950	1705	25 / 85	✓	3	10	20	KYO
10601.1905.0.2	Standart	1950 - 2150	1905	25 / 85	✓	4	11	20	KYO
10601.2105.0.2	Standart	2150 - 2350	2105	25 / 85	✓	4	12	20	KYO
10608.1705.0.2	Standart	1750 - 1950	1705	25 / 85	X	3	10	20	KYO
10608.1905.0.2	Standart	1950 - 2150	1905	25 / 85	X	4	11	20	KYO
10608.2105.0.2	Standart	2150 - 2250	2105	25 / 85	X	4	12	20	KYO
10611.1705.0.2	Balcony	1750 - 1950	1705	25 / 85	X	3	10	20	KYO
10611.1905.0.2	Balcony	1950 - 2150	1905	25 / 85	X	4	11	20	KYO
10611.2105.0.2	Balcony	2150 - 2350	2105	25 / 85	X	4	12	20	KYO



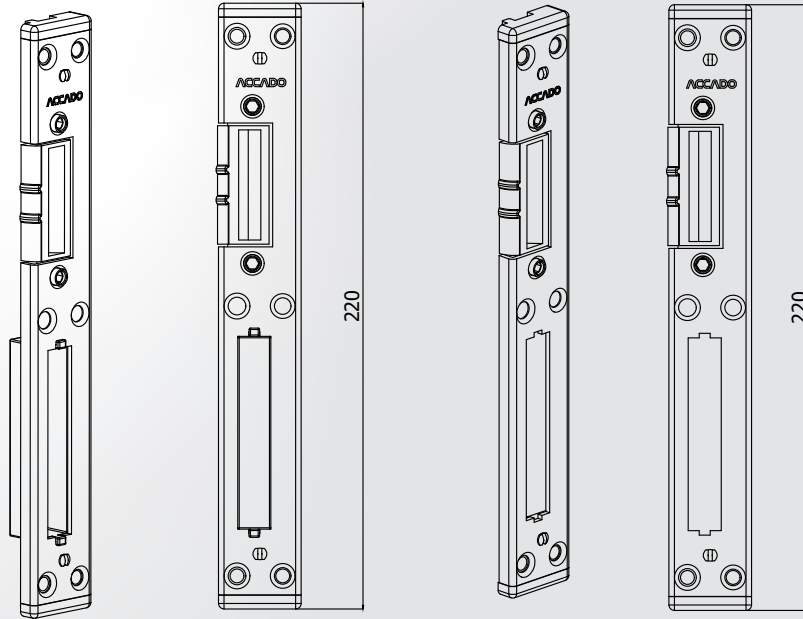




Article Nr.	Description	Type	Center	Deadbolt	PU
11005.0000.0.2	Door Lock for PVC Doors 35/85	Standart	35 / 85	✓	50
11007.0000.0.2	Door Lock for PVC Doors WC 35/90	WC	35 / 90	✓	50

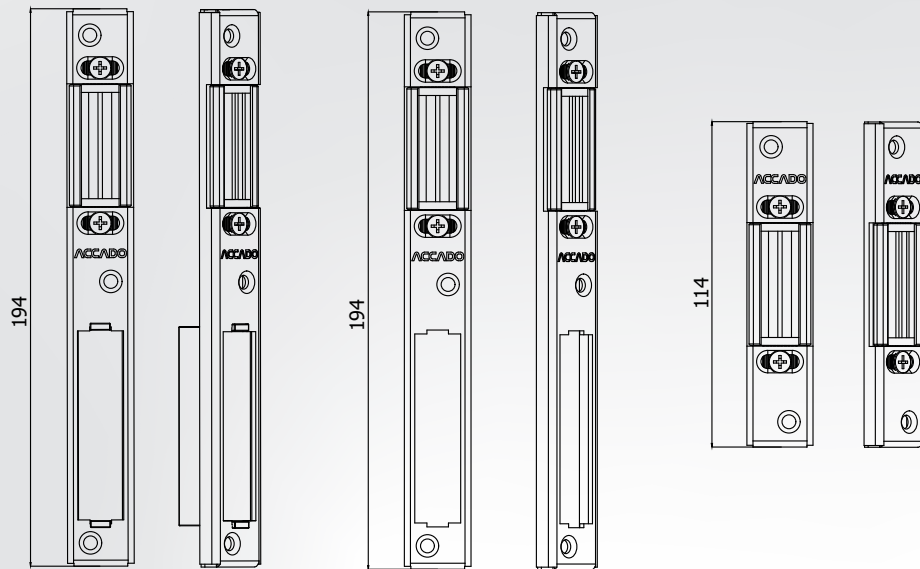


Article Nr.	Description	PU
10888.CP90.0.2	90 mm Cylinder with Brass Key	60
10888.C090.0.2	90 mm Cylinder with Zamak Key	60



Adjustable Door Locking Plate
With Deadbolt Box

Adjustable Door Locking Plate
Without Deadbolt Box



Adjustable Door Locking Plate Eco
With Deadbolt Box

Adjustable Door Locking Plate Eco
Without Deadbolt Box

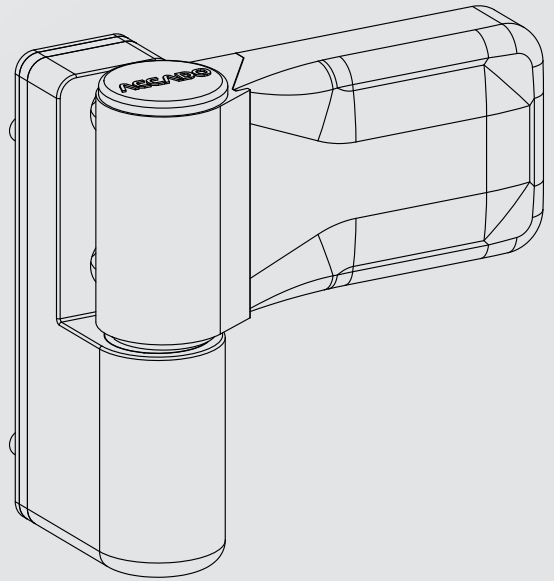
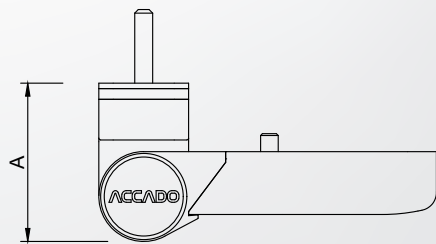
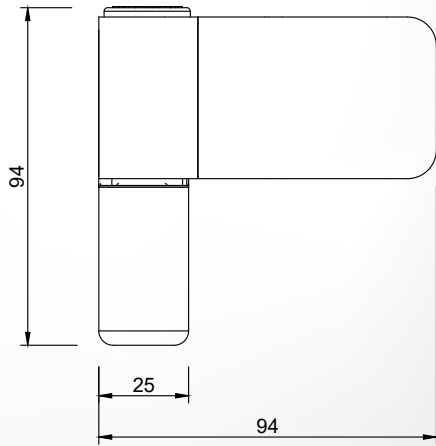
Adjustable Door Locking Plate
Small

Article Nr.	Description	PU
10230.0000.0.2	Adjustable Door Locking Plate Eco	160
10231.0000.0.2	Adjustable Door Locking Plate Eco with Deadbolt Box	96
10234.0000.0.2	Adjustable Door Locking Plate - Small	300
10421.0000.L.2	Adjustable Door Locking Plate with Deadbolt Box, Left	96
10421.0000.R.2	Adjustable Door Locking Plate with Deadbolt Box, Right	96
10423.0000.L.2	Adjustable Door Locking Plate, Left	160
10423.0000.R.2	Adjustable Door Locking Plate, Right	160



3D Adjustable Door Hinge
Zinc Body 90 mm

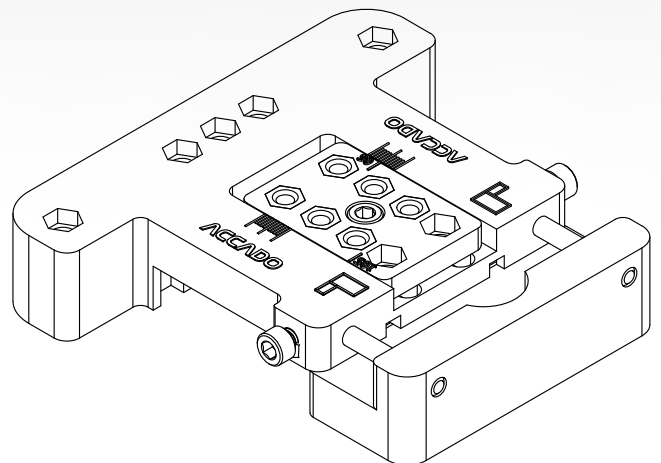
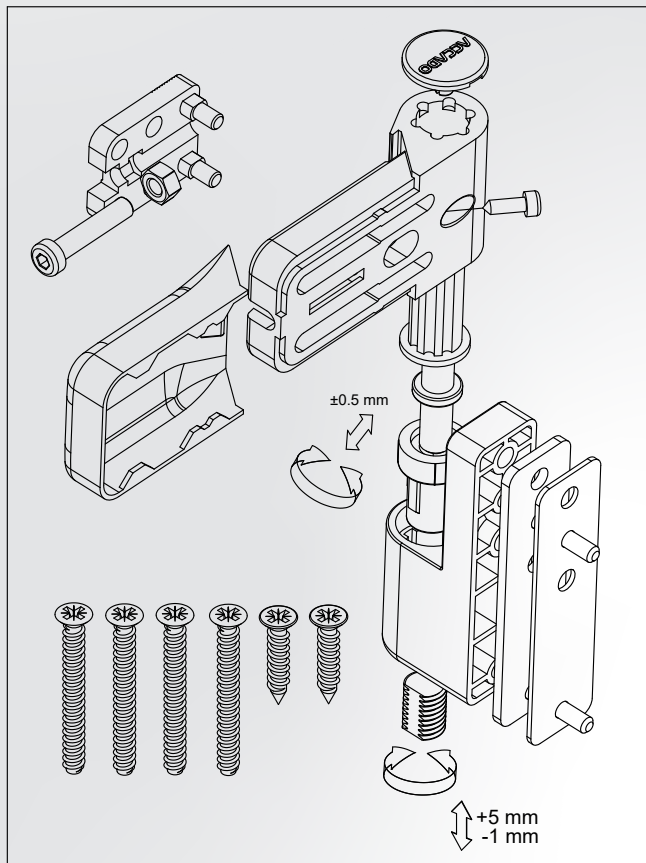
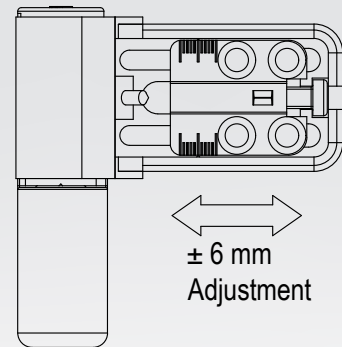
ACCADO



Article Nr.	Description	PU	Max. Sash Weight
10024.0090.0.*	3D Adjustable Door Hinge 90 mm	30	100 kg
10263.0000.0.9	Jig for 3D Adjustable Door Hinge	-	-

* 1=White ; 3=Cream ; 3C=Champagne ; 6A=Light Brown ; 6=Dark Brown ; 9G=Anthracite Grey

Overlap thickness	"A" dimension
12,3 - 16,3	39,3
16,3 - 20,3	43,8

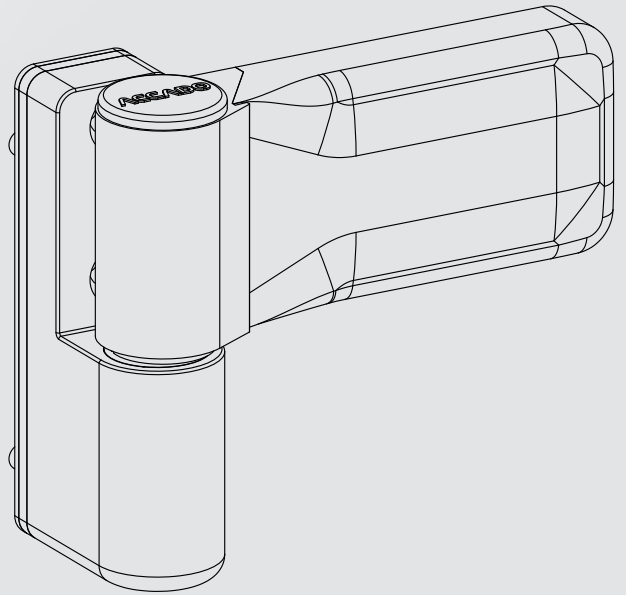
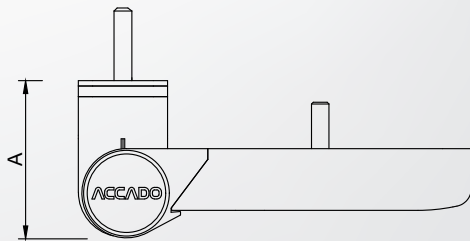
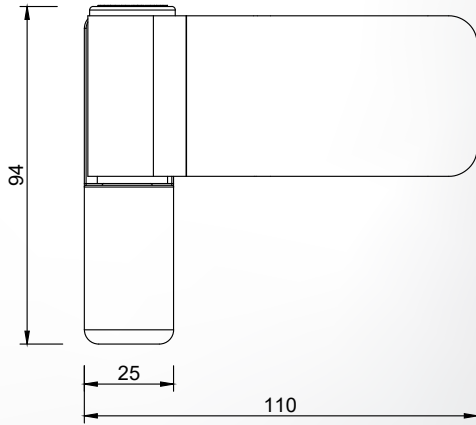


Jig for 3D Adjustable Door Hinge



3D Adjustable Door Hinge
Zinc Body 105 mm

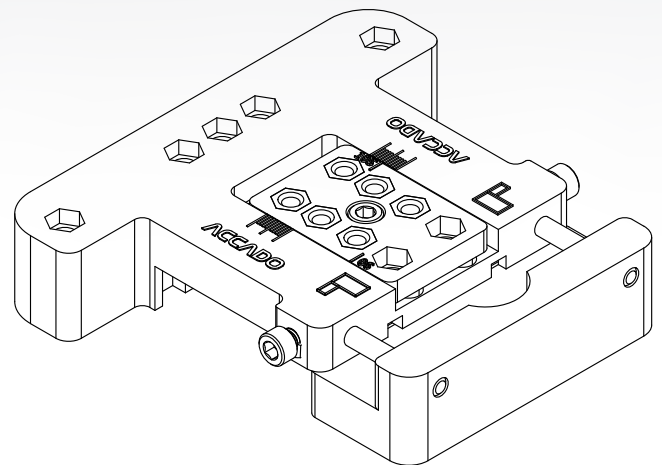
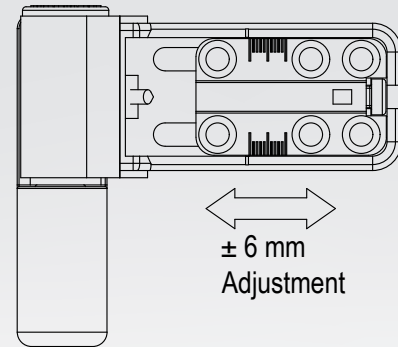
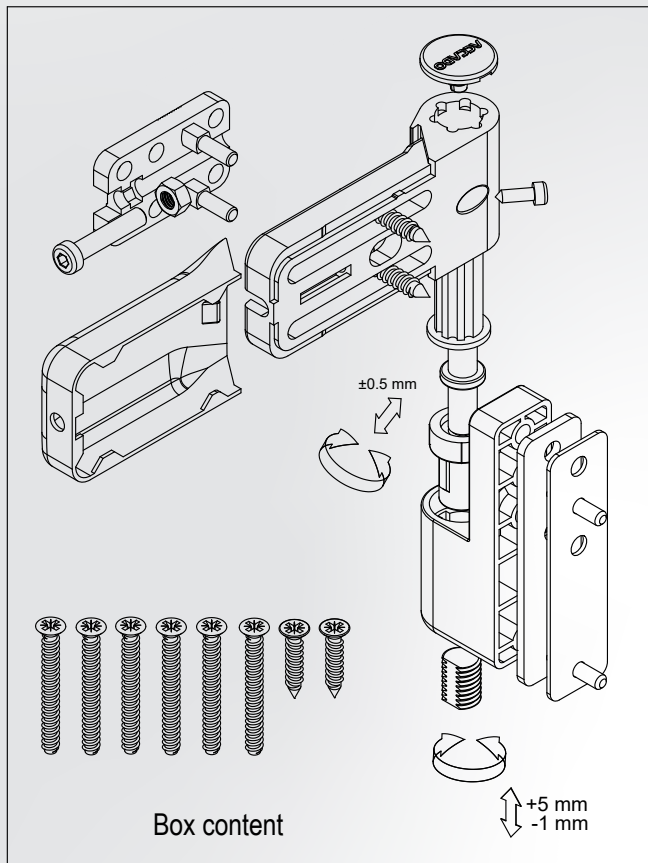
ACCADO




Article Nr.	Description	PU	Max. Sash Weight
10024.0105.0.*	3D Adjustable Door Hinge 105 mm	30	140 kg
10263.0000.0.9	Jig for 3D Adjustable Door Hinge	-	-

* 1=White ; 3=Cream ; 3C=Champagne ; 6A=Light Brown ; 6=Dark Brown ; 9G=Anthracite Grey

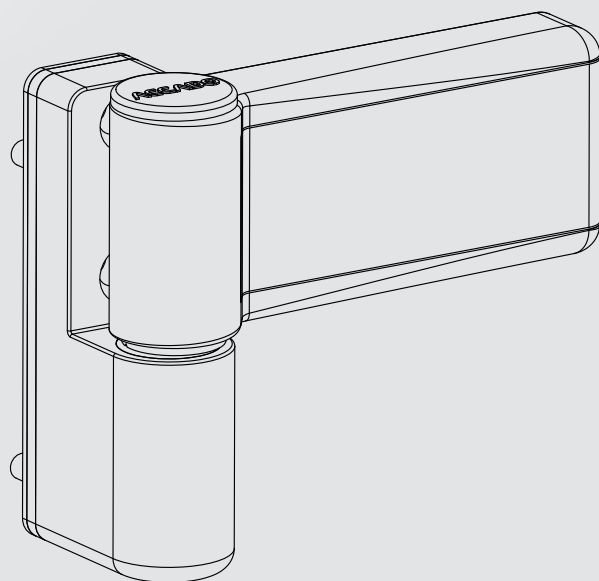
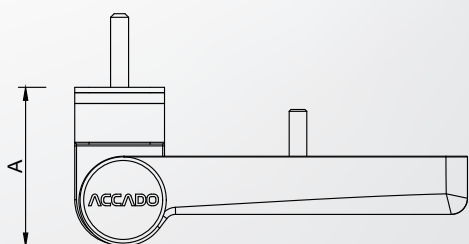
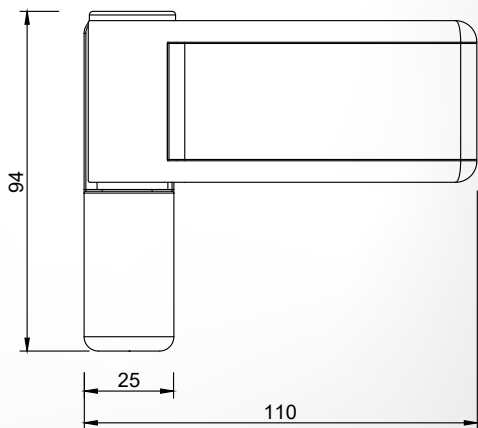
Overlap thickness	"A" dimension
12,3 - 16,3	39,3
16,3 - 20,3	43,8



Jig for 3D Adjustable Door Hinge

 **3D Adjustable Door Hinge**
Aluminium Body 105 mm

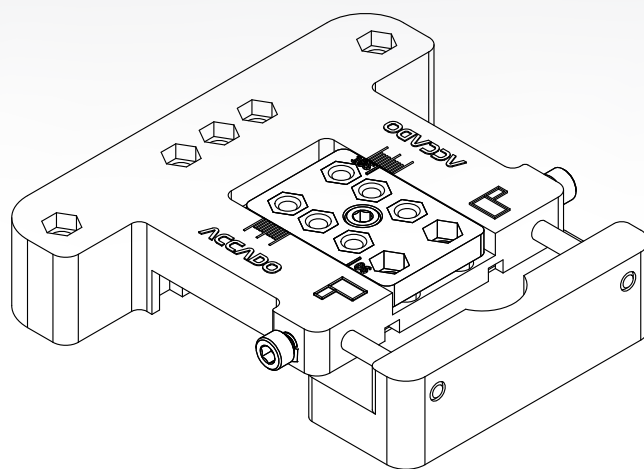
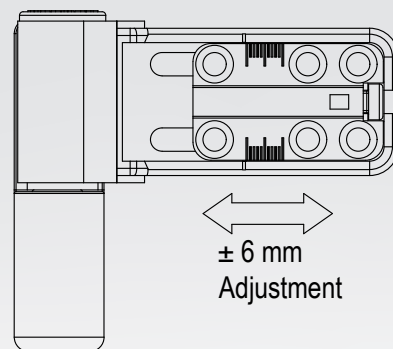
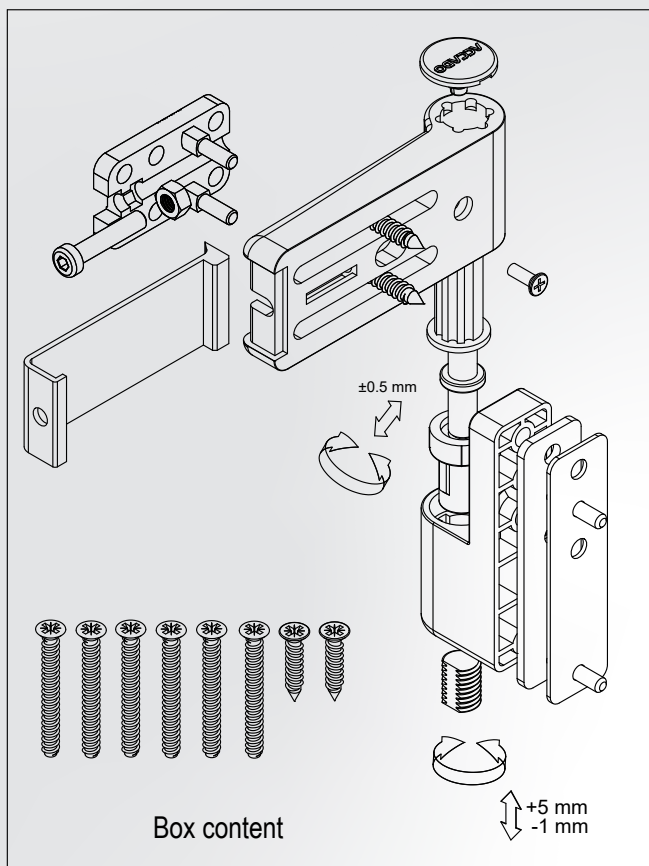
ACCADO



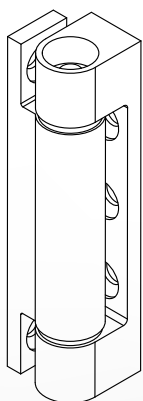
Article Nr.	Description	PU	Max. Sash Weight
10650.0105.0.*	3D Adjustable Door Hinge 105 Aluminio	30	120 kg
10263.0000.0.9	Jig for 3D Adjustable Door Hinge	-	-

* 1=White ; 3=Cream ; 3C=Champagne ; 6A=Light Brown ; 6=Dark Brown ; 9G=Anthracite Grey

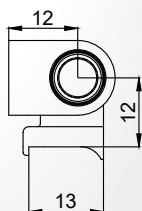
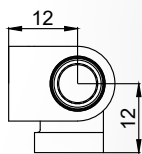
Overlap thickness	"A" dimension
12,3 - 16,3	39,3
16,3 - 20,3	43,8



Jig for 3D Adjustable Door Hinge

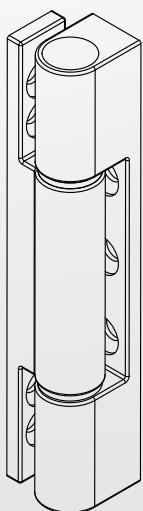


75 mm Hinge

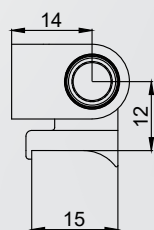
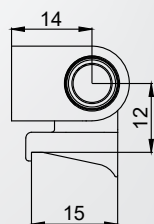


Article Nr.	Description	Max. Sash Weight	PU
10047.0075.0.*	75 mm Zamak Hinge	60 kg	150
10215.0075.0.*	532 - 75 mm Zamah Hinge	60 kg	150
10221.0090.0.*	532 - 90 mm Zamak Hinge	80 kg	100
10047.0100.0.*	100 mm Zamak Hinge	80 kg	100

Article Nr.	Description	Max. Sash Weight	PU
10217.0075.0.*	632 - 75 mm Zamak Hinge	60 kg	150
10220.0090.0.*	632 - 90 mm Zamak Hinge	80 kg	100

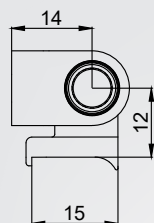


90 / 100 mm Hinge

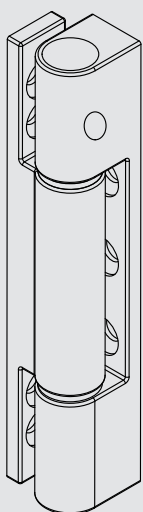


Article Nr.	Description	Max. Sash Weight	PU
10227.0075.0.*	752 - 75 mm Zamak Hinge	60 kg	150
10224.0090.0.*	752 - 90 mm Zamak Hinge	80 kg	100

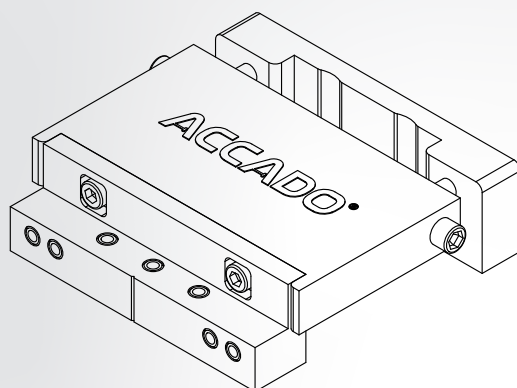
Article Nr.	Description	Max. Sash Weight	PU
10218.0090.0.*	80 - 90 mm Zamak Hinge	80 kg	100



Article Nr.	Description	Max. Sash Weight	PU
10223.0090.0.*	752 - Outside Openning 90 mm Hinge	80 kg	100



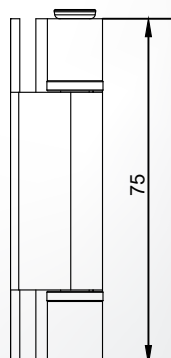
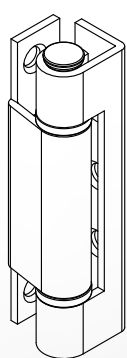
Outside Opening Hinge



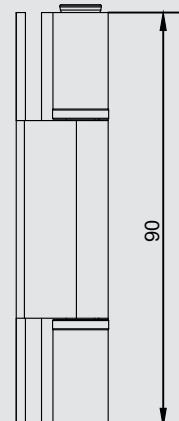
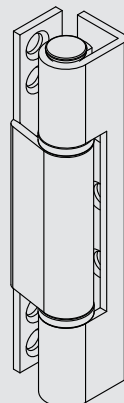
Jig for Hinge

Article Nr.	Description	PU
10214.0000.0.9	Jig for hinge	-

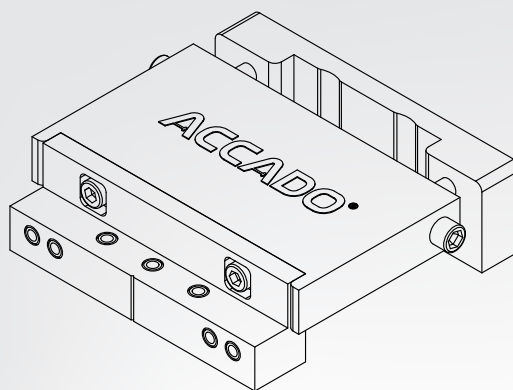
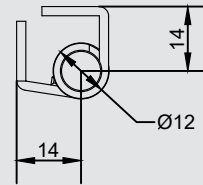
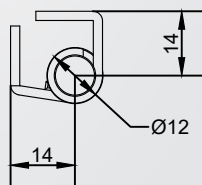
* 1=White ; 3=Cream ; 3C=Champagne ; 6A=Light Brown ; 6=Dark Brown ; 9G=Anthracite Grey



Steel Hinge, 75 mm



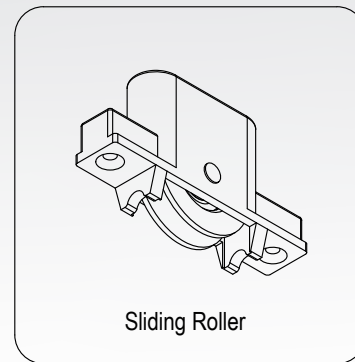
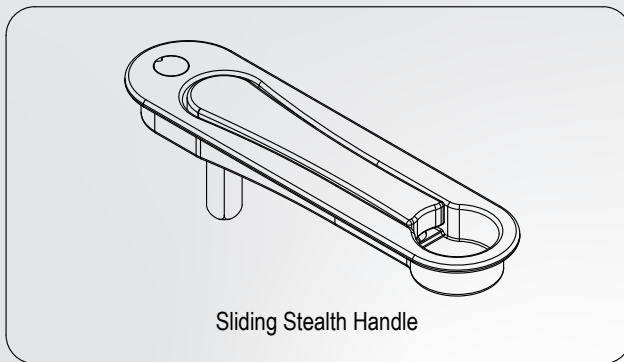
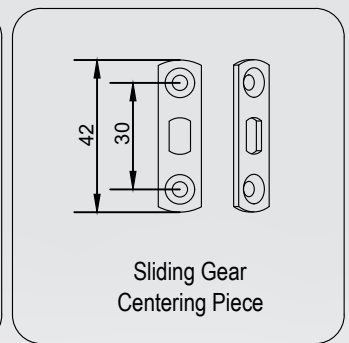
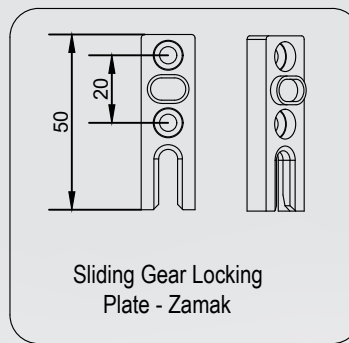
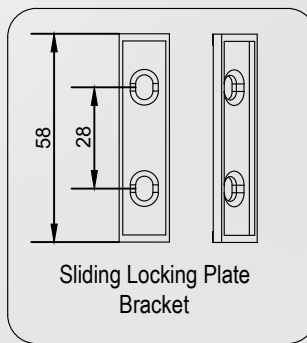
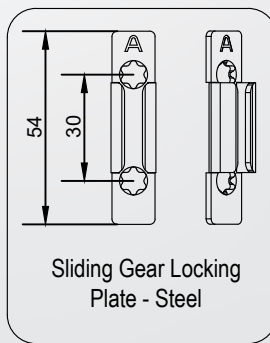
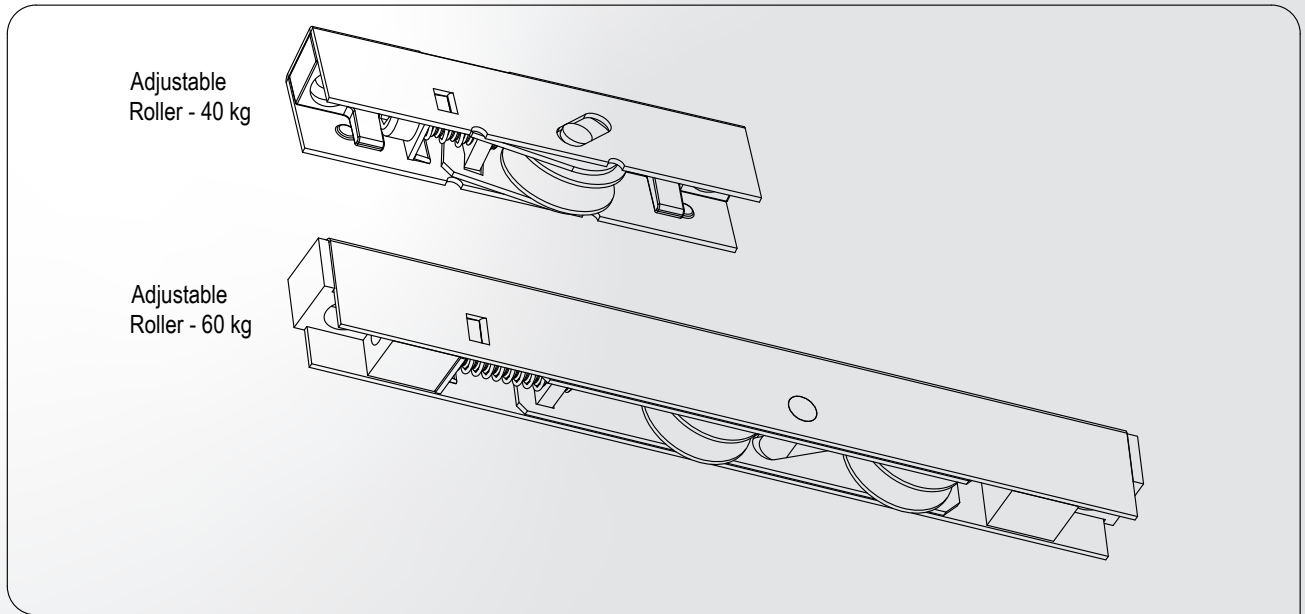
Steel Hinge, 90 mm



Jig for Hinge

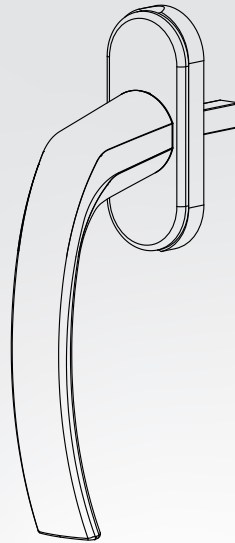
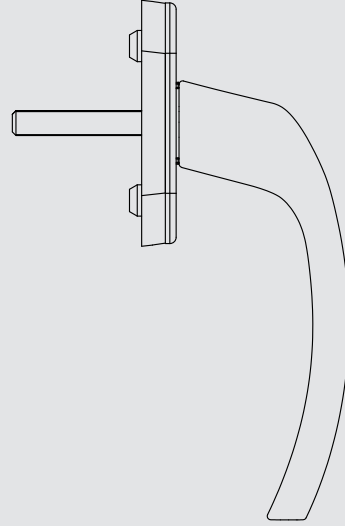
Article Nr.	Description	Max. Sash Weight	PU
10889.0075.0.*	Steel Hinge - 75 mm	80 kg	200
10889.0090.0.*	Steel Hinge - 90 mm	100 kg	200
10214.0000.0.9	Jig for Hinge	-	-

* 1A=White ; 6E=Dark Brown



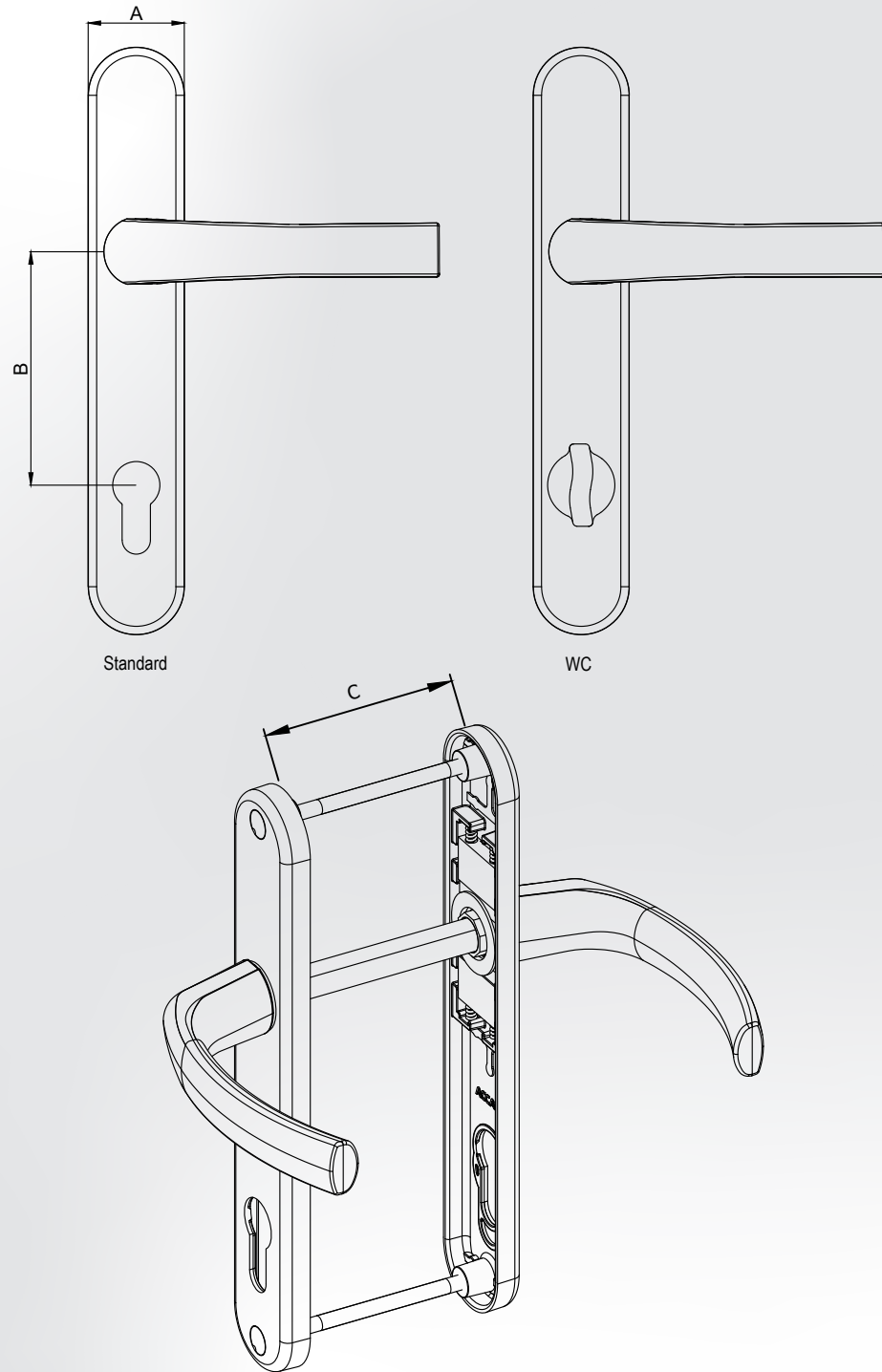
Sliding Roller Sets	Article Nr.	Description	Max Sash Weight	PU
	10239.0000.0.2	Adjustable Roller Set, 2 Plastic Runner	60 kg	150
	10241.0000.0.2	Adjustable Roller Set, 2 Brass Runner	60 kg	150
	10240.0000.0.2	Adjustable Roller Set, 1 Plastic Runner	40 kg	150
	10242.0000.0.2	Adjustable Roller Set, 1 Brass Runner	40 kg	150
	20301.0000.0.2	Sliding Roller Brass Runner	40 kg	300
	20302.0000.0.2	Sliding Roller Plastic Runner	40 kg	300
Locking Plates	Article Nr.	Description		PU
	20275.0000.0.2	Sliding Gear Locking Plate - Steel		1250
	20281.0000.0.2	Sliding Gear Locking Plate - Zamak		300
	20311.0000.0.2	Sliding Gear Centering Piece		1250
	20420.0000.0.2	Sliding Locking Plate Bracket		2500
Handles	Article Nr.	Description		PU
	10195.0000.0.*	Sliding Stealth Handle		50

* 1=White ; 6=Dark Brown ; 6A=Light Brown ; 9G=Anthracite Gray



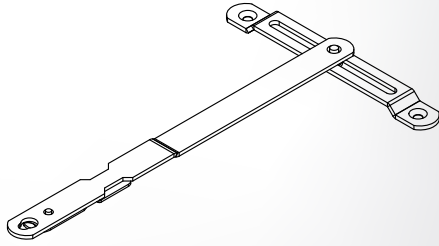
Article Nr.	Description	PU
12500.0035.0.*	Myra Window Handle, 35 mm	100

* 1= White ; 6=Dark Black ; 6A= Light Brown ; 9G= Anthracite Gray

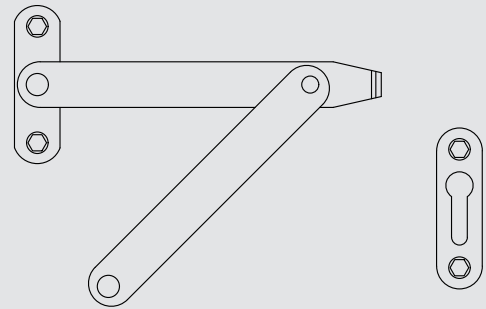


Article Nr.	Type	A	B	C	PU
12000.0085.0.*	Standart	35	85	70	30
12060.0085.0.*	Standart	35	85	60	30
12000.0090.0.*	WC	35	90	70	30
12060.0090.0.*	WC	35	90	60	30
12100.0085.0.*	Balcony	35	85	70	30
12160.0085.0.*	Balcony	35	85	60	30

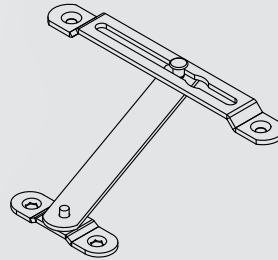
* 1=White ; 6=Dark Brown ; 6A=Light Brown ; 6C=Brown ; 9G=Anthracite Gray



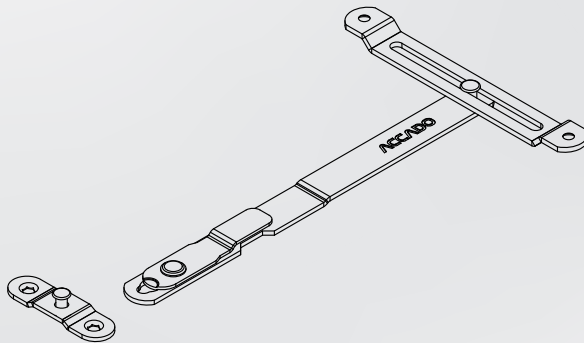
Gear Linked Tilt Stay Arm



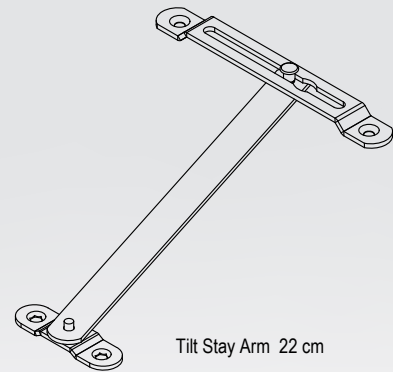
Tilt Stay Arm (fold)



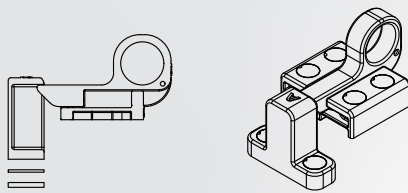
Tilt Stay Arm 13 cm



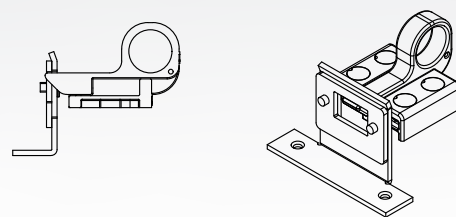
Linket Tilt Stay Arm Sash Piece



Tilt Stay Arm 22 cm



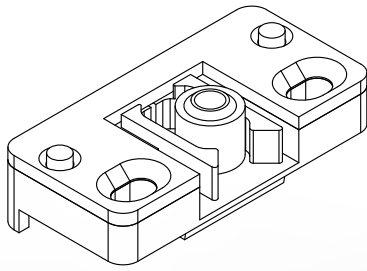
Window Catch



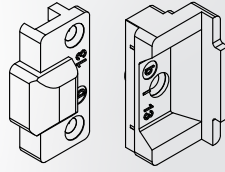
Adjustable Window Catch

Article Nr.	Description	PU
10249.0013.0.*	Tilt Stay Arm 13 cm	200
10250.0022.0.*	Tilt Stay Arm 22 cm	150
10251.0000.0.*	Tilt Stay Arm (fold)	100
10362.0000.0.*	Window Catch	200
10375.0000.0.*	Adjustable Window Catch	200
10388.0000.0.*	Gear Linked Tilt Stay Arm	100
10445.0000.0.*	Linket Tilt Stay Arm Sash Piece	100
10446.0000.0.*	Gear Linked Tilt Stay Arm + Linket Tilt Stay Arm Sash Piece	100

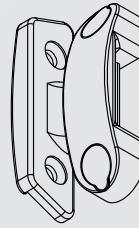
* 1=White ; 6=Dark Brown ; 8A=Light Brown ; 9G=Anthracite Gray



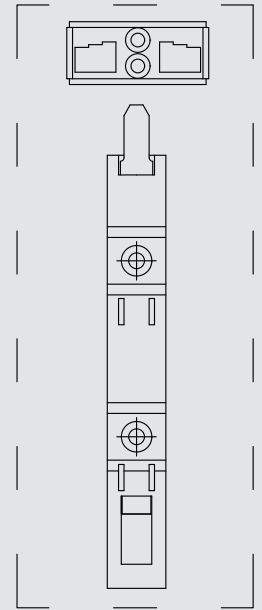
Door Catch



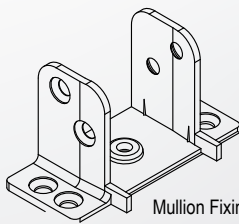
Middle Hidden Hinge



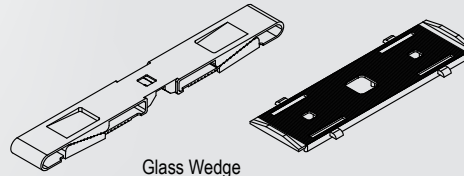
Middle Pressure Piece



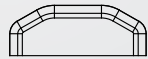
Shoot Bolt



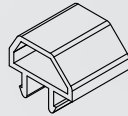
Mullion Fixing Block



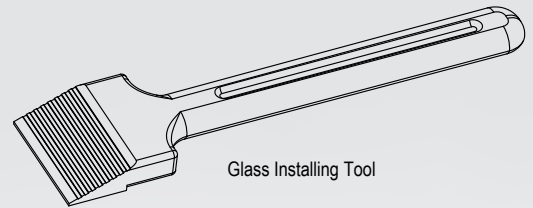
Glass Wedge



Drainage Cap (Ellipse)



Sash Lifting Wedge



Glass Installing Tool

Article Nr.	Description	PU
10258.0000.0.*	Door Catch	200
20285.0000.0.*	Drainage Cap (ellipse)	2500
10213.0000.0.*	Middle Hidden Hinge 13 mm	200
10256.0000.0.*	Shoot Bolt	200
10363.0000.0.*	Middle Pressure Piece	1000
20286.0000.0.*	Sash Lifting Wedge	2000
20287.0000.0.0	Double Glass Wedge (thick)	3000
20288.0000.0.0	Double Glass Wedge (thin)	5000
20332.0000.0.0	Glass Wedge (thick)	3000
20331.0000.0.0	Glass Wedge (thin)	5000
20354.0000.0.0	Adjustable Glass Wedge	750
20339.0000.0.0	Glass Wedge 60	750
20340.0000.0.0	Glass Wedge 70	500
20416.0000.0.0	Glass Installing Tool	50
10548.0000.0.2	Mullion Tie W260	300
20225.0642.0.2	Mullion Tie W642	200
20229.0W70.0.2	Mullion Tie W70	200
20230.0W80.0.2	Mullion Tie W80	200
20242.0632.0.2	Mullion Tie W632	200
20243.0532.0.2	Mullion Tie W532	200
20252.0750.0.2	Mullion Tie W750-1	175
21282.0000.0.2	Mullion Tie W232	200
21283.0000.0.2	Mullion Tie W222	200
21380.0883.0.2	Mullion Tie W883	200

