

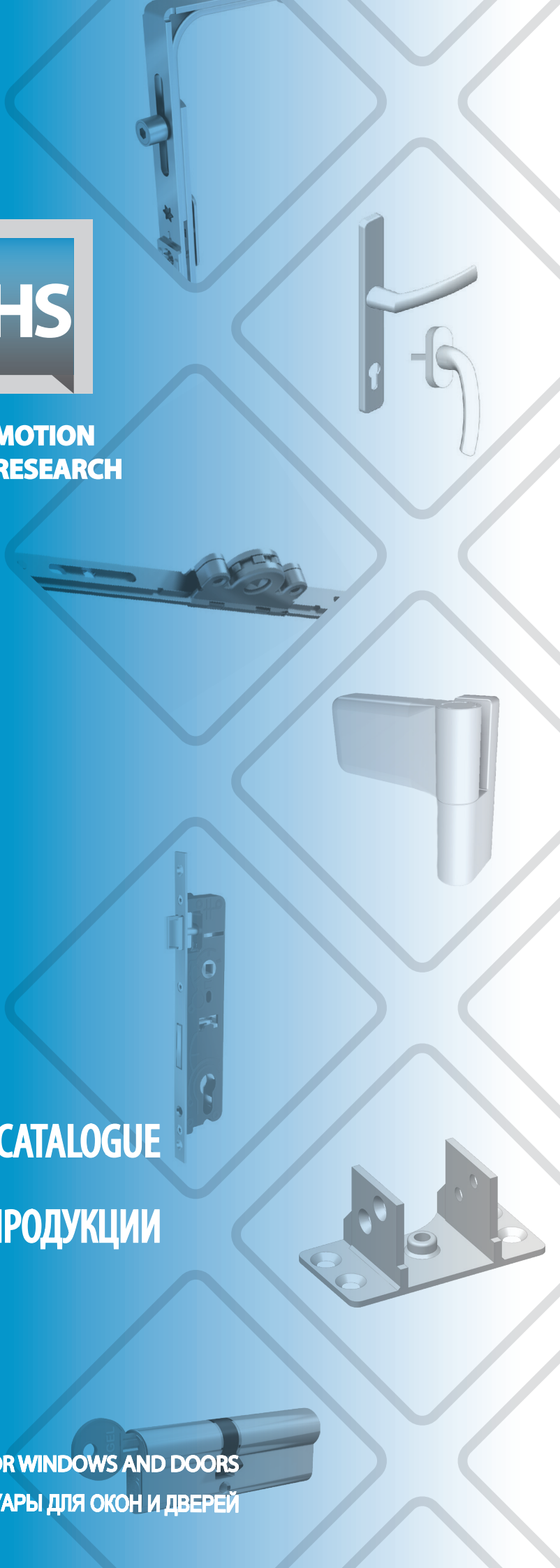


**Better MOTION  
Through RESEARCH**

**PRODUCT CATALOGUE**

**КАТАЛОГ ПРОДУКЦИИ**

**HARDWARE SYSTEMS FOR WINDOWS AND DOORS  
ФУРНИТУРА & АКСЕССУАРЫ ДЛЯ ОКОН И ДВЕРЕЙ**





- 01.00.00**    **Company Profile**  
профиль компании
  
- 02.00.00**    **Tilt & Turn Systems**  
Поворотно-Откидная Система
  
- 02.15.00**    **PREMIUM Tilt & Turn Systems**  
PREMIUM Поворотно-Откидная Система
  
- 03.00.00**    **French Casement (Double Sash) Systems**  
Двустворчатые системы
  
- 03.06.00**    **PREMIUM French Casement (Double Sash) Systems**  
PREMIUM Двустворчатые системы
  
- 04.00.00**    **Side Hung Turn Only Systems**  
Поворотная система
  
- 05.00.00**    **Sliding Systems for Windows and Doors**  
Раздвижная система
  
- 06.00.00**    **Multipoint Door Locks**  
Многозапорные Замки
  
- 07.00.00**    **Mortise Door Locks**  
Врезной замок
  
- 08.00.00**    **Strikers**  
Ответная планка
  
- 09.00.00**    **Window & Door Handles**  
Оконные Ручки и Нажимные Гарнитурсы
  
- 10.00.00**    **Hinges**  
Петли
  
- 11.00.00**    **Mullion Tie Connectors**  
Соединители Импоста
  
- 12.00.00**    **Window & Door Accessories**  
Дополнительные Аксессуары





# Company Profile

## профиль компании

- 01.00.00** Company  
компания
- 01.01.00** VHS Guarantee  
VHS гарантировать
- 01.02.00** Certificates  
Сертификаты



### Company компания

VHS started its activities in 1997 with the manufacturing of cylinders for locks, simple ventilation and locking accessories and hardware for PVC windows and doors. With the developments and growth in the windows and doors market, VHS has also improved its production processes and expanded its product range continuously.

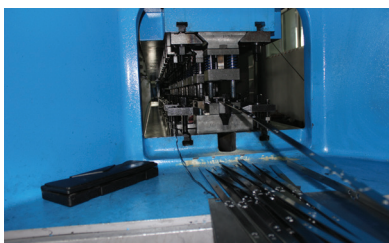
The mechanisms for windows and doors, that were first manufactured in 2000, have become the pioneer products of the company. As a solution provider for construction systems, VHS produces high performance hardware and accessories for PVC windows and doors, including tilt&turn systems, french casement systems, tilt&slide systems, locks, hinges, and handles. With its wide range of high quality products, VHS has become one of the most reputable hardware and accessories manufacturer.

VHS is an experienced team of 300 staff working in a modern production plant of 23.000 m<sup>2</sup> covered area. Upon the increasing demand in the national and international markets, further investments have been made for new production lines and modern mould systems under automated and computer-controlled systems. Such significant progress in the process technology has resulted in increases in the production capacity and product quality as well as decreases in any possible mechanical failure in the products.

Mainly aiming for continuous improvement in technical properties and quality of its products, VHS offers a wide range of multipurpose solutions and high performance accessories for various systems of windows and doors technology. VHS products have achieved numerous quality standards certificates issued by Turkey and 8 European countries. Moreover, the production plant and the products are periodically inspected by national and international authorities, where technical and mechanical analyses such as endurance-durability, pressure-stress, loading and cycle, surface treatment tests are performed.

Having reached a competitive level in the world market, VHS exports to 51 countries, mostly in the European Union, with a margin of 60% international and 40% domestic sales. With a powerful sales&marketing organization and technical support network, VHS is aware of its responsibility not only for product quality, but also for experienced technical and management staff with the mindset of qualified service.

“We always have a solution” is our motto to ensure perpetual customer satisfaction without compromising high quality and reliability.





The image shows a 'GUARANTEE CERTIFICATE' template for VHS. It features a decorative blue border with a complex, repeating pattern. At the top center is the VHS logo. To the right is a gold seal with a blue ribbon that says '10 YEAR GUARANTEE'. The main text is centered and includes the following sections:

**VHS 10 Year Guarantee**

**Guarantee Period:**  
VHS guarantees all of its manufactured products for a period of 10 (ten) years from the date of purchase.

**Guarantee Covers:**

- Mechanical Durability
- Resistance Against Corrosion
- Durability Of The Plastic Parts

**The above guarantee inapplicable to the following:**

**Incorrect Installation**

- Problems caused by incorrect installation
- Problems caused by the use of non-VHS products together with VHS products
- Problems caused by faulty assembly not following the operation&maintenance instructions

**Physical and Chemical Effects**

- Not following the operation&maintenance instructions
- External damage of products caused by delivery or transportation of third parties not under the authorization of VHS
- Operations (external damage, surface scratches, metal welding burrs and etc.) damaging the physical properties of products before assembly
- Physical damage caused by disasters (fire, flood, earthquake and etc.)
- Problems caused by inappropriate keeping and assembly (keeping or assembling the products under inappropriate environmental conditions such as contact with aggressive vapours and toxic substances, building dust, cement, concrete, humidity, condensation and etc.)

**Important Notice:** Damages caused by the end-user will be determined by the report of VHS. All maintenance work must be carried out in compliance with VHS maintenance instructions, and recorded in the warranty document as proof of maintenance. The above guarantee is given on the strict understanding that VHS Plastik Metal San. Tic. A.Ş. shall not be liable or responsible in respect of any act, breach, non-performance or any other nature whatsoever which is actually beyond its own control.

At the bottom, there is a row of certification logos: TSE, TÜV, RAL, ISO 9001, ISO 14001, PC, CE, ISO 9001, ISO 14001, ISO 9001, ISO 14001, and a logo for 'TÜV SÜD'.

www.vhs.com.tr



Certificates  
Сертификаты

With the main aim of high quality levels, VHS products have achieved numerous quality standards certificates issued by Turkey and 8 European countries. Moreover, the production plant and the products are periodically inspected by national and international authorities, where technical and mechanical analyses such as endurance-durability, pressure-stress, loading and cycle, surface treatment tests are performed.

**TÜV Inter-Cert ISO 9001:2008 Germany**

**TÜRK STANDARLARI ENSTİTÜSÜ TÜRK STANDARLARINA UYGUNLUK BELGESİ CERTIFICATE OF CONFORMITY TO TURKISH STANDARDS**

**TS EN 13126-1/20.2.2007-TS EN 13126-8/20.2.2007 Türkiye**

**ISO 9001:2008**

**PIV PRÜFZEUGNIS Test Certificate DIN EN 13126-8:2006-05**

**PG СИСТЕМА СЕРТИФИКАЦИИ ГОСТ Р ФЕДЕРАЛЬНОЕ АГЕНТСТВО ПО ТЕХНИЧЕСКОМУ РЕГУЛИРОВАНИЮ И МЕТРОЛОГИИ**

**GOST-R Russia**

**Ukr SEPRO Ukraine**

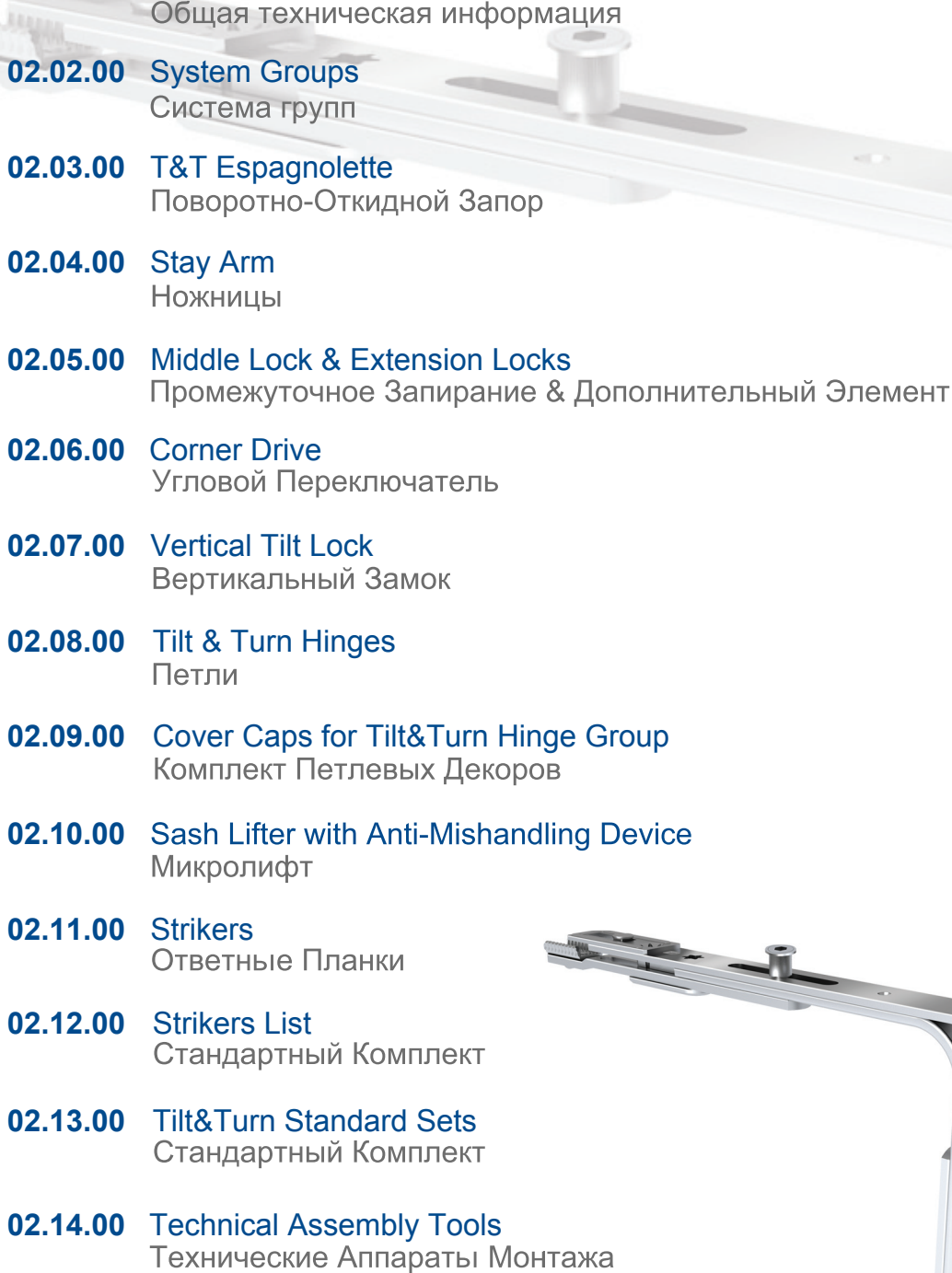
**VERLEIHUNGS-URKUNDE**

**RAL - GZ 607/3 Germany**

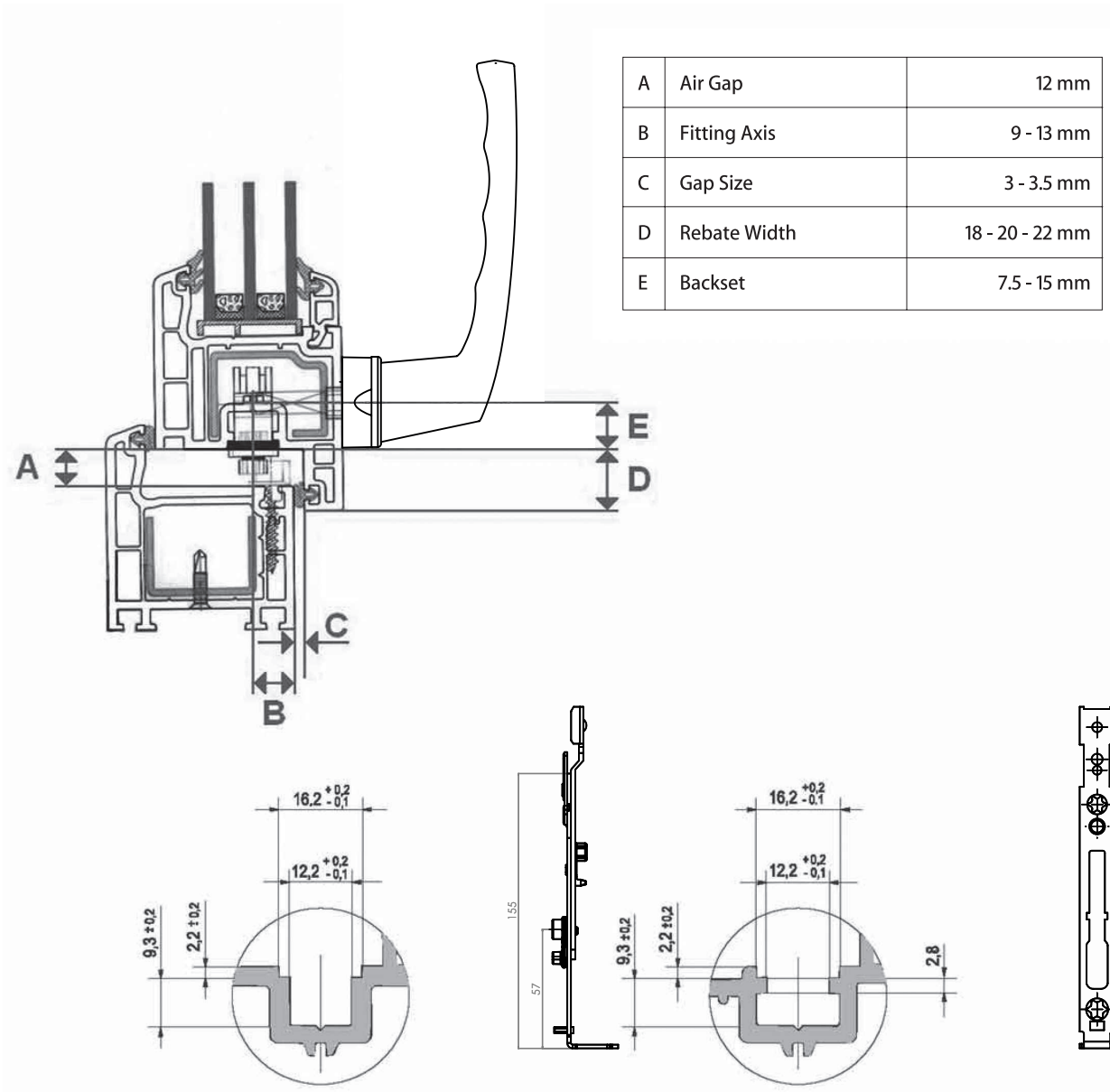


# Tilt & Turn Systems

## Поворотно-Откидные Системы

- 
- 02.01.00** Technical and General Information  
Общая техническая информация
  - 02.02.00** System Groups  
Система групп
  - 02.03.00** T&T Espagnolette  
Поворотно-Откидной Запор
  - 02.04.00** Stay Arm  
Ножницы
  - 02.05.00** Middle Lock & Extension Locks  
Промежуточное Запирание & Дополнительный Элемент
  - 02.06.00** Corner Drive  
Угловой Переключатель
  - 02.07.00** Vertical Tilt Lock  
Вертикальный Замок
  - 02.08.00** Tilt & Turn Hinges  
Петли
  - 02.09.00** Cover Caps for Tilt&Turn Hinge Group  
Комплект Петлевых Декоров
  - 02.10.00** Sash Lifter with Anti-Mishandling Device  
Микролифт
  - 02.11.00** Strikers  
Ответные Планки
  - 02.12.00** Strikers List  
Стандартный Комплект
  - 02.13.00** Tilt&Turn Standard Sets  
Стандартный Комплект
  - 02.14.00** Technical Assembly Tools  
Технические Аппараты Монтажа

Technical and General Information / PVC Profile Systems  
 Общая техническая информация / ПВХ Профиль Системы



- Required Air Gap must be 12 mm. Otherwise problems may occur after the installation of the hardware.
- Fitting Axis may differ depending on various PVC profile brands series. Correct hinges and strikers should be chosen according to the fitting axis before the installation.
- Required Gap Size must be 3 - 3.5 mm. Otherwise problems may occur after the installation of the hardware.

## Technical and General Information / Application Range Diagrams Общая техническая информация / Диаграммы применения

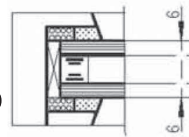
### Sash Rebate Sizes

Max.	SRW 1480 mm SRH 2530 mm	Overall sash area must not exceed 2.4 m <sup>2</sup> or 130 kg in weight and a height to width ratio of SRH: SRW max. 1: 1.5
Min.	SRW 280 mm SRH 320 mm	with VCD. Corner Drive, Stay Arm size VMK. and Espagnolette height VGR.
	SRW 350 mm SRH 295 mm	with VCD. Corner Drive ( with locking cam fitted on top ) Stay Arm size VMK. and Espagnolette height VGR.

### Determining The Glass Weight:

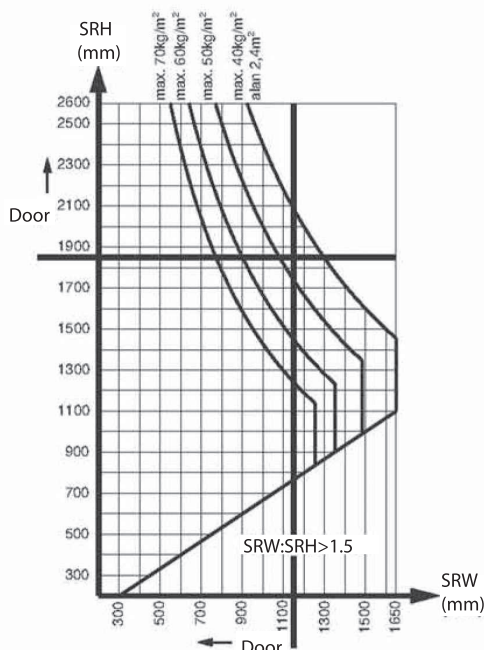
Glass Thickness (mm)	24	22	20	18	16	14	12	10	8
Glass Weight (kg/m <sup>2</sup> )	60	55	50	45	40	35	30	25	20

1 mm = 2.5 kg/m<sup>2</sup>

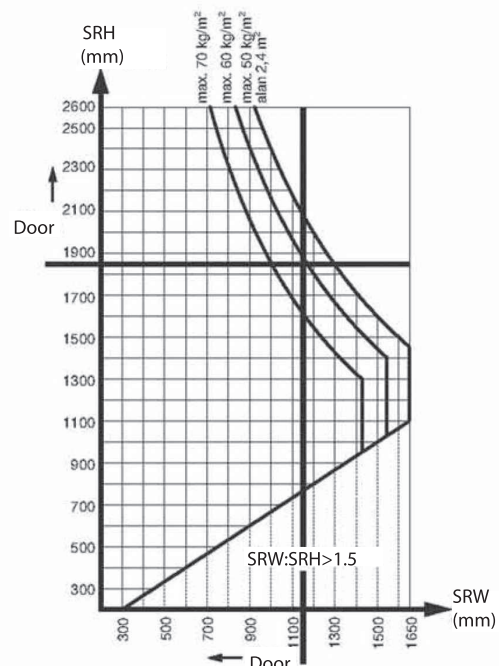


Glass Thickness 12 mm

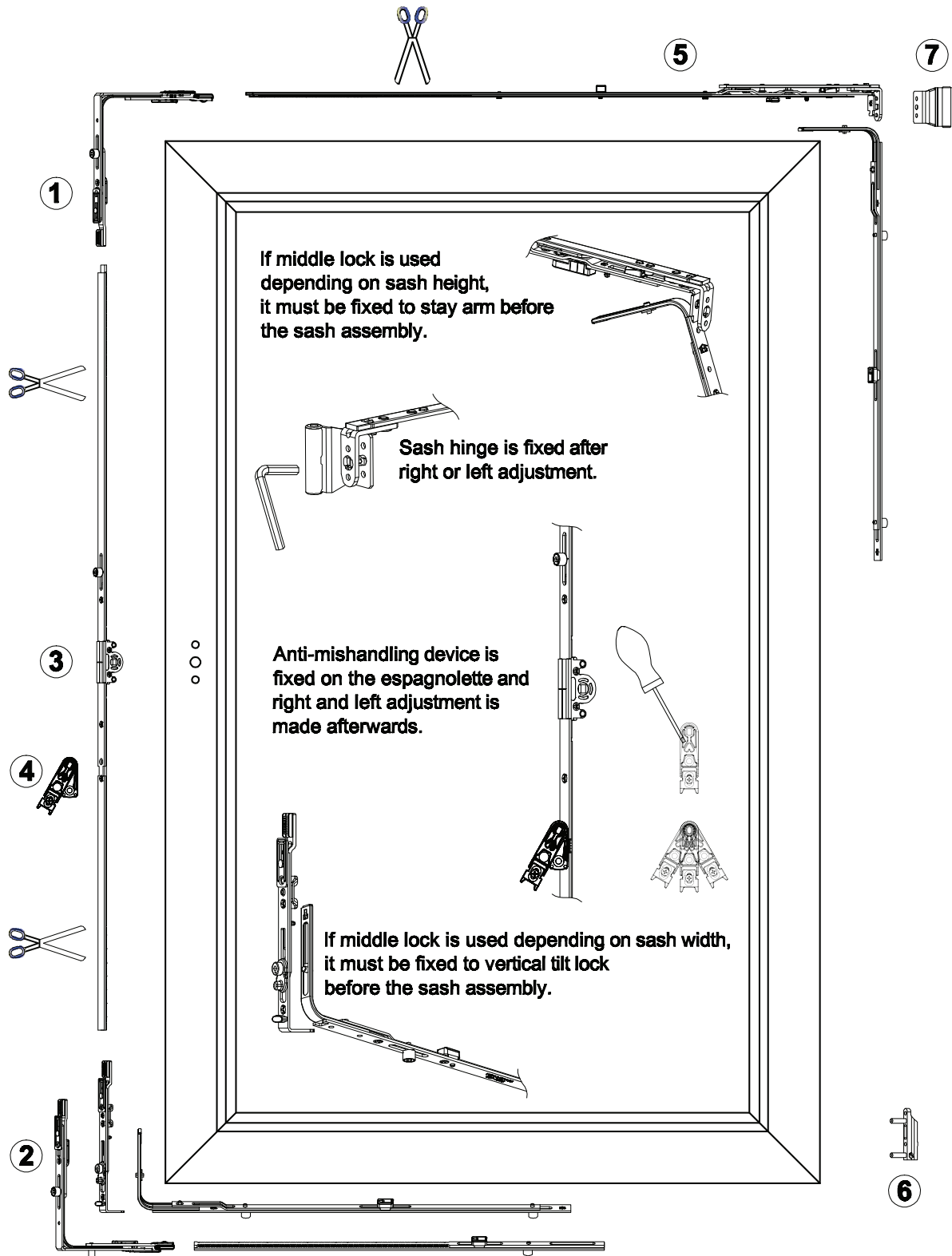
Max: 100 Kg. Sash Weight

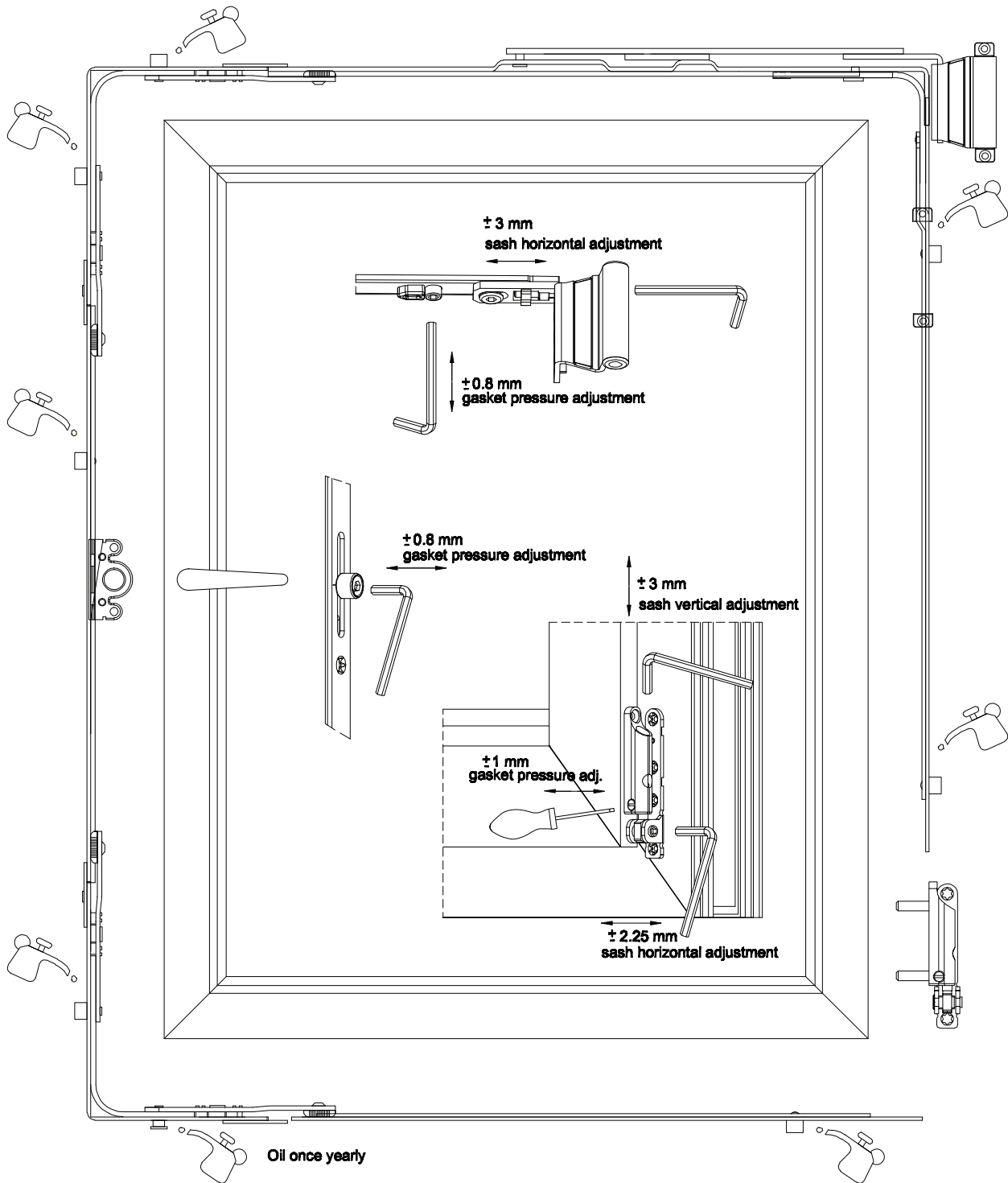


Max: 130 Kg. Sash Weight





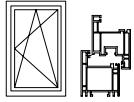




## System Groups / V.H.H. Vertical & Horizontal Tilt&Turn systems (15 and 7,5 mm Backset Espagnolette) Система групп / Вертикально & Горизонтально Поворотно-откидные системы (дорнмасс 15 и 7,5 мм)

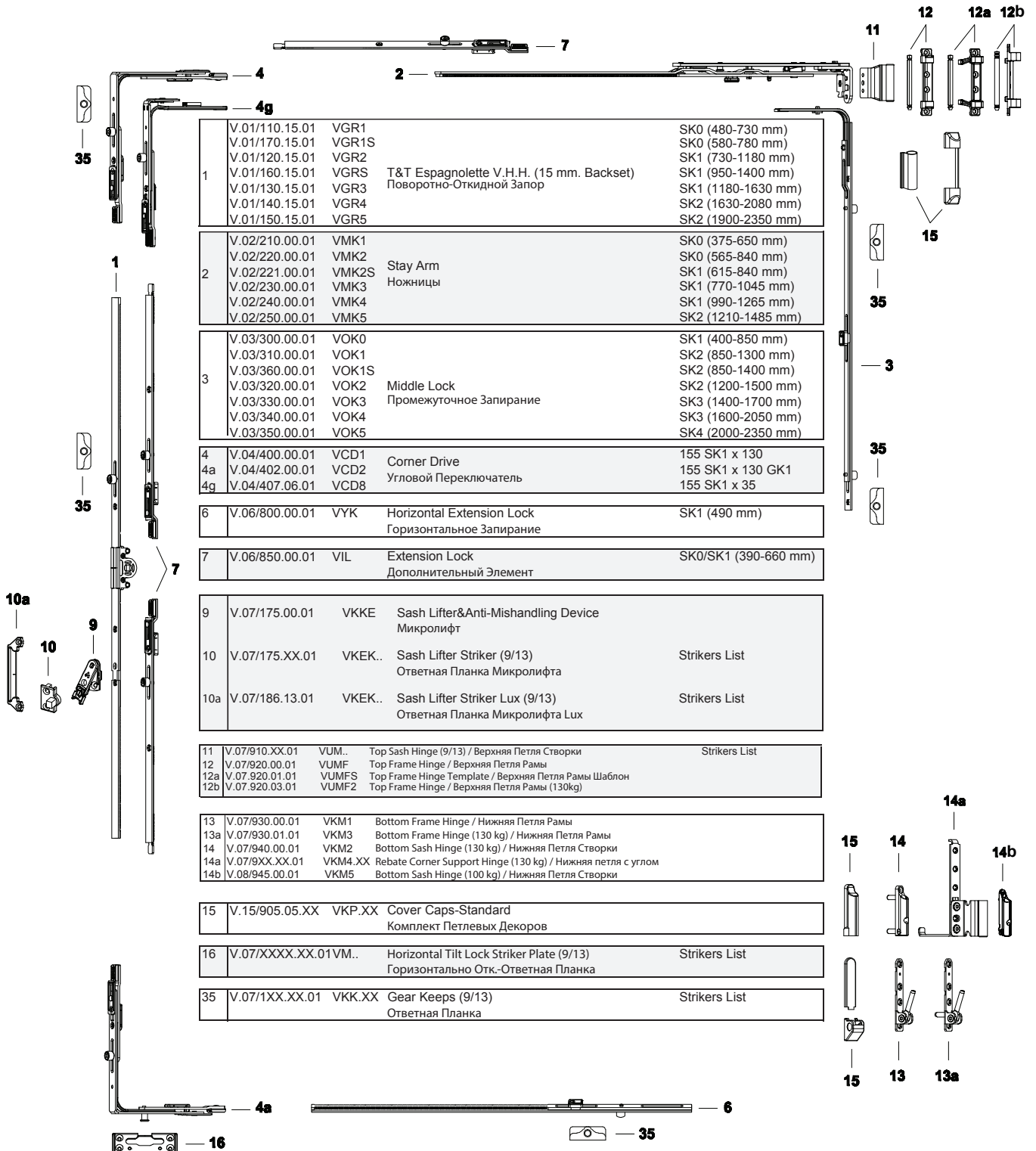
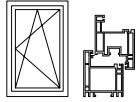
1	V.01/110.15.01	VGR1	SK0 (480-730 mm)
	V.01/170.15.01	VGR1S	SK0 (580-780 mm)
	V.01/120.15.01	VGR2	SK1 (730-1180 mm)
	V.01/160.15.01	VGRS	SK1 (950-1400 mm)
	V.01/130.15.01	VGR3	SK1 (1180-1630 mm)
T&T Espagnolette V.H.H. (15 mm. Backset) Поворотно-Откидной Запор			SK2 (1630-2080 mm)
			SK2 (1900-2350 mm)
1a	V.01/110.75.01	VIG1	SK0 (480-730 mm)
	V.01/120.75.01	VIG2	SK1 (730-1180 mm)
	V.01/160.75.01	VIGS	SK1 (950-1400 mm)
	V.01/130.75.01	VIG3	SK1 (1180-1630 mm)
	V.01/140.75.01	VIG4	SK2 (1630-2080 mm)
T&T Espagnolette V.H.H. (7.5 mm. Backset) Поворотно-Откидной Запор			SK2 (1900-2350 mm)
2	V.02/210.00.01	VMK1	SK0 (375-650 mm)
	V.02/220.00.01	VMK2	SK0 (565-840 mm)
	V.02/221.00.01	VMK2S	SK1 (615-840 mm)
	V.02/230.00.01	VMK3	SK1 (770-1045 mm)
	V.02/240.00.01	VMK4	SK1 (990-1265 mm)
Stay Arm Ножницы			SK2 (1210-1485 mm)
3	V.03/300.00.01	VOK0	SK1 (400-850 mm)
	V.03/310.00.01	VOK1	SK2 (850-1300 mm)
	V.03/360.00.01	VOK1S	SK2 (850-1400 mm)
	V.03/320.00.01	VOK2	SK2 (1200-1500 mm)
	V.03/330.00.01	VOK3	SK3 (1400-1700 mm)
Middle Lock Промежуточное Запирание			SK3 (1600-2050 mm)
			SK4 (2000-2350 mm)
4	V.04/400.00.01	VCD1	155 SK1 x 130
4a	V.04/402.00.01	VCD2	155 SK1 x 130 GK1
4d	V.04/405.00.01	VCD5	155 SK1 x 130 SK1
4g	V.04/407.06.01	VCD8	155 SK1 x 35
5	V.07/960.XX.01	VMV..	Microventilation Striker (9/13) / Щелевое Проветривание
			Strikers List
6	V.06/800.00.01	VYK	Horizontal Extension Lock / Горизонтальное Запирание
			SK1 (490 mm)
7	V.06/850.00.01	VIL	Extension Lock / Дополнительный Элемент
			SK0/SK1 (390-680 mm)
9	V.07/175.00.01	VKKE	Sash Lifter&Anti-Mishandling Device / Микролифт
10	V.07/175.XX.01	VKEK..	Sash Lifter Striker (9/13) / Ответная Планка Микролифта
			Strikers List
10a	V.07/186.13.01	VKEK..	Sash Lifter Striker Lux (9/13) / Ответная Планка Микролифта Lux
			Strikers List
11	V.07/910.XX.01	VUM..	Top Sash Hinge (9/13) / Верхняя Петля Створки
			Strikers List
12	V.07/920.00.01	VUMF	Top Frame Hinge / Верхняя Петля Рамы
12a	V.07.920.01.01	VUMFS	Top Frame Hinge Template / Верхняя Петля Рамы Шаблон
12b	V.07.920.03.01	VUMF2	Top Frame Hinge / Верхняя Петля Рамы (130kg)
13	V.07/930.00.01	VKM1	Bottom Frame Hinge / Нижняя Петля Рамы
13a	V.07/930.01.01	VKM3	Bottom Frame Hinge (130 kg) / Нижняя Петля Рамы
14	V.07/940.00.01	VKM2	Bottom Sash Hinge (130 kg) / Нижняя Петля Створки
14a	V.07/9XX.XX.01	VKM4.XX	Rebate Corner Support Hinge (130 kg) / Нижняя петля с углом
14b	V.08/945.00.01	VKM5	Bottom Sash Hinge (100 kg) / Нижняя Петля Створки
15	V.15/905.05.XX	VKP.XX	Cover Caps-Standard / Комплект Петлевых Декоров
16	V.07/XXXX.XX.01	VM..	Horizontal Tilt Lock Striker Plate (9/13) / Горизонтально Отк.-Ответная Планка
			Strikers List
17	V.07/96X.XX.01	VGX..	Security Striker (9/13) / Ответ.Планка Противовзломная
			Strikers List
29	V.04/406.00.01	VAK	Vertical Tilt Lock 155 mm / Вертикальный Замок
30	V.07/980.XX.01	VY..	Vertical Tilt Lock Striker Plate (9/13) / Верт.Ответная Планка
			Strikers List
31	V.07/982.09.01	VYCO9	Vertical Tilt Lock Striker Plate (9) / Верт. Ответная Планка с 2мя зубчиками
			Strikers List
35	V.07/1XX.XX.01	VKK.XX	Gear Keeps (9/13) / Ответная Планка
			Strikers List

## System Groups / V.H.H. Vertical Tilt&Turn Systems Система групп / Вертикально Поворотно-откидные системы

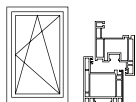


1	V.01/110.15.01	VGR1		SK0 (480-730 mm)
	V.01/170.15.01	VGR1S		SK0 (580-780 mm)
	V.01/120.15.01	VGR2		SK1 (730-1180 mm)
	V.01/160.15.01	VGRS	T&T Espagnolette V.H.H. (15 mm. Backset)	SK1 (950-1400 mm)
	V.01/130.15.01	VGR3	Поворотно-Откидной Запор	SK1 (1180-1630 mm)
2	V.01/140.15.01	VGR4		SK2 (1630-2080 mm)
	V.01/150.15.01	VGR5		SK2 (1900-2350 mm)
	V.02/210.00.01	VMK1		SK0 (375-650 mm)
3	V.02/220.00.01	VMK2		SK0 (565-840 mm)
	V.02/221.00.01	VMK2S	Stay Arm	SK1 (615-840 mm)
	V.02/230.00.01	VMK3	Ножницы	SK1 (770-1045 mm)
	V.02/240.00.01	VMK4		SK1 (990-1265 mm)
	V.02/250.00.01	VMK5		SK2 (1210-1485 mm)
4	V.03/300.00.01	VOK0		SK1 (400-850 mm)
	V.03/310.00.01	VOK1		SK2 (850-1300 mm)
	V.03/360.00.01	VOK1S		SK2 (850-1400 mm)
	V.03/320.00.01	VOK2	Middle Lock	SK2 (1200-1500 mm)
	V.03/330.00.01	VOK3	Промежуточное Запирание	SK3 (1400-1700 mm)
4g	V.03/340.00.01	VOK4		SK3 (1600-2050 mm)
	V.03/350.00.01	VOK5		SK4 (2000-2350 mm)
7	V.04/400.00.01	VCD1	Corner Drive	155 SK1 x 130
	V.04/407.06.01	VCD8	Угловой Переключатель	155 SK1 x 35
9	V.06/850.00.01	VIL	Extension Lock Дополнительный Элемент	SK0/SK1 (390-660 mm)
10	V.07/175.00.01	VKKE	Sash Lifter&Anti-Mishandling Device Микролифт	Strikers List
10a	V.07/175.XX.01	VKEK..	Sash Lifter Striker (9/13) Ответная Планка Микролифта	Strikers List
10a	V.07/186.13.01	VKEK..	Sash Lifter Striker Lux (9/13) Ответная Планка Микролифта Lux	Strikers List
11	V.07/910.XX.01	VUM..	Top Sash Hinge (9/13) / Верхняя Петля Створки	Strikers List
12	V.07/920.00.01	VUMF	Top Frame Hinge / Верхняя Петля Рамы	
12a	V.07.920.01.01	VUMFS	Top Frame Hinge Template / Верхняя Петля Рамы Шаблон	
12b	V.07.920.03.01	VUMF2	Top Frame Hinge / Верхняя Петля Рамы (130kg)	
13	V.07/930.00.01	VKM1	Bottom Frame Hinge / Нижняя Петля Рамы	
13a	V.07/930.01.01	VKM3	Bottom Frame Hinge (130 kg) / Нижняя Петля Рамы	
14	V.07/940.00.01	VKM2	Bottom Sash Hinge (130 kg) / Нижняя Петля Створки	
14a	V.07/9XX.XX.01	VKM4.XX	Rebate Corner Support Hinge (130 kg) / Нижняя петля с углом	
14b	V.08/945.00.01	VKM5	Bottom Sash Hinge (100 kg) / Нижняя Петля Створки	
15	V.15/905.05.XX	VKP.XX	Cover Caps-Standard Комплект Петлевых Декоров	
29	V.04/406.00.01	VAK	Vertical Tilt Lock 155 mm Вертикальный Замок	
30	V.07/980.XX.01	VY..	Vertical Tilt Lock Striker Plate (9/13) Верт.Ответная Планка	Strikers List
35	V.07/1XX.XX.01	VKK.XX	Gear Keeps (9/13) Ответная Планка	Strikers List





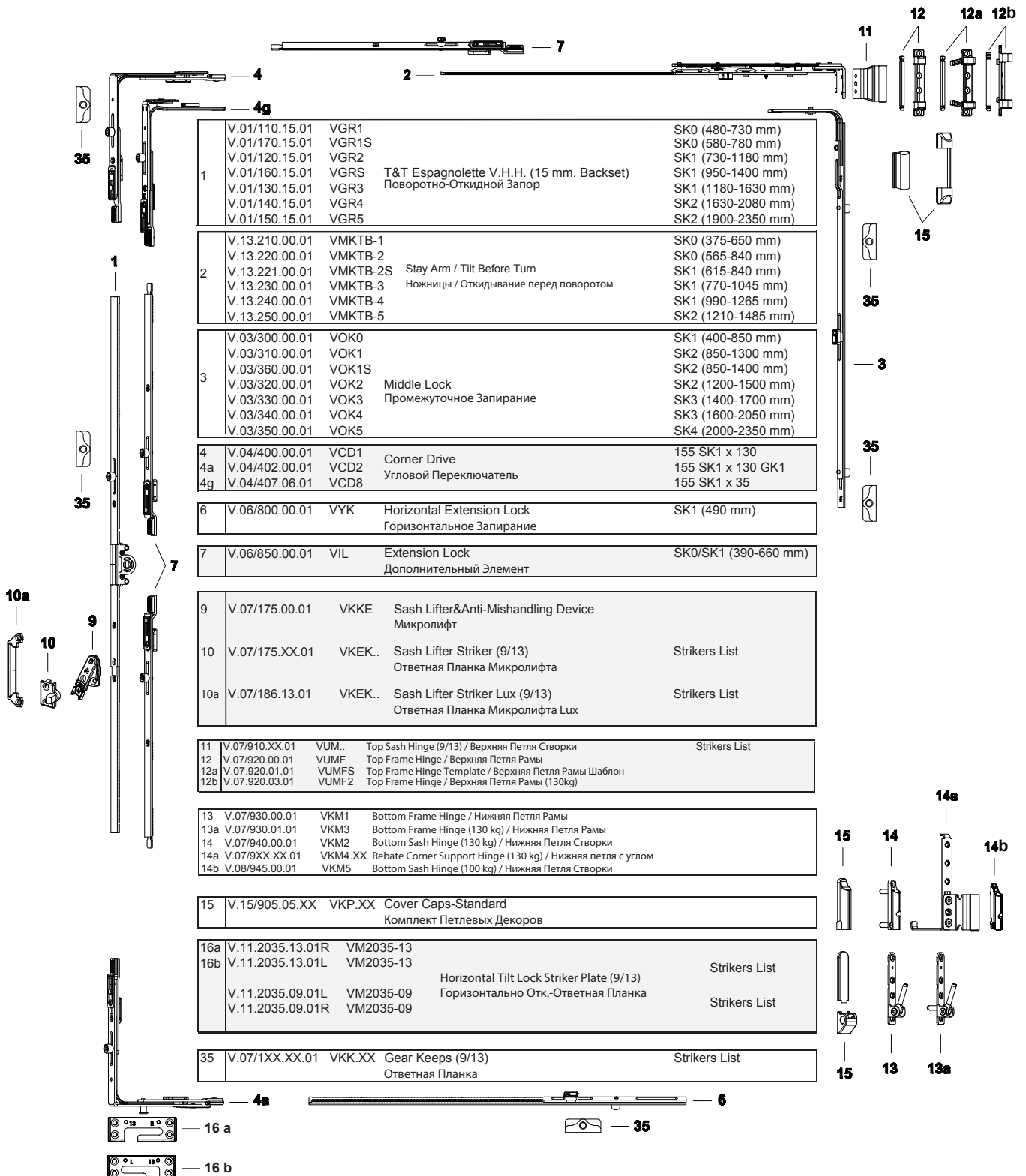
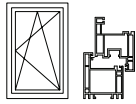
## System Groups / V.H.H. Horizontal Tilt&Turn System / Full Security Система групп / Горизонтально Поворотно-откидные системы / Повышенная безопасность



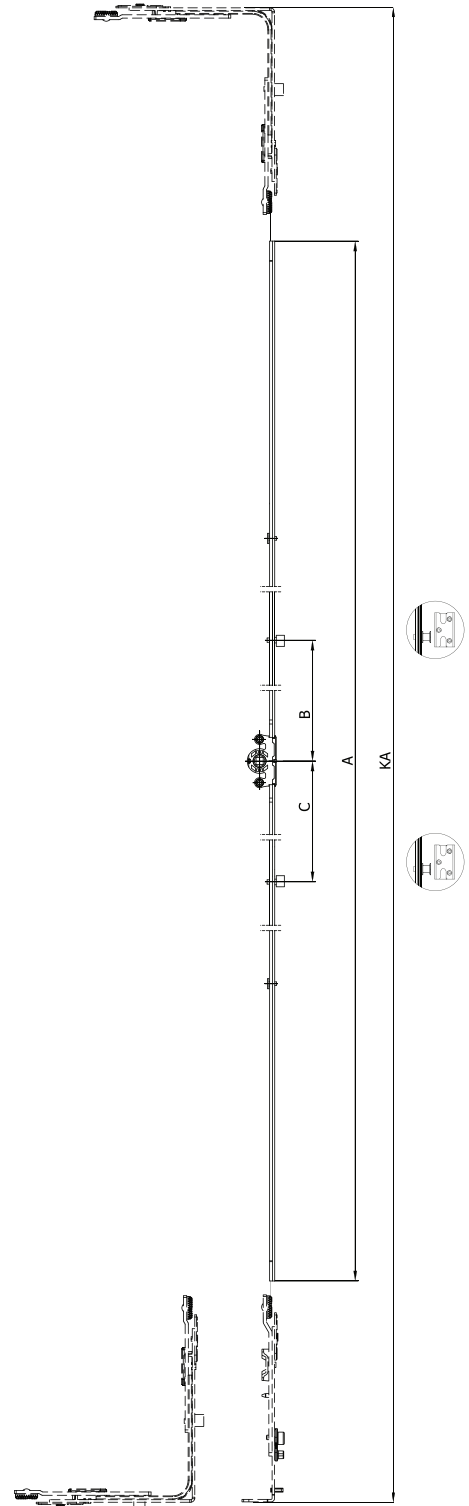
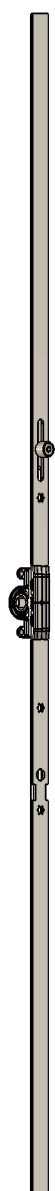
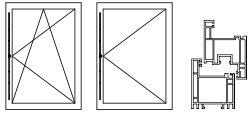
1	V.01/110.01.01	VGR1	GK0 (480-730 mm)	
	V.01/170.01.01	VGR1S	GK0 (580-780 mm)	
	V.01/120.01.01	VGR2	GK1 (730-1180 mm)	
	V.01/160.01.01	VGRS	GK1 (950-1400 mm)	
	V.01/130.01.01	VGR3	GK1 (1180-1630 mm)	
	V.01/140.01.01	VGR4	GK2 (1630-2080 mm)	
V.01/150.01.01	VGR5	GK2 (1900-2350 mm)		
2	V.02/210.01.01	VMK1	GK0 (375-650 mm)	
	V.02/220.01.01	VMK2	GK0 (565-840 mm)	
	V.02/221.01.01	VMK2S	GK1 (615-840 mm)	
	V.02/230.01.01	VMK3	GK1 (770-1045 mm)	
	V.02/240.01.01	VMK4	GK1 (990-1265 mm)	
	V.02/250.01.01	VMK5	GK2 (1210-1485 mm)	
3	V.03/300.01.01	VOK0	GK1 (400-850 mm)	
	V.03/310.01.01	VOK1	GK2 (850-1300 mm)	
	V.03/360.01.01	VOK1S	Orta Kilitleme	
	V.03/320.01.01	VOK2	Middle Lock	
	V.03/330.01.01	VOK3	Промежуточное Запирание	
	V.03/340.01.01	VOK4	GK3 (1400-1700 mm)	
V.03/350.01.01	VOK5	GK4 (2000-2350 mm)		
4e	V.04/406.06.01	VCD6	Corner Drive Угловой Переключатель	155 GK1 x 130 GK1
6	V.06/800.01.01	VYK	Horizontal Extension Lock Горизонтальное Запирание	GK1 (490 mm)
9	V.07/175.00.01	VKKE	Sash Lifter&Anti-Mishandling Device Микролифт	
10	V.07/175.XX.01	VKEK..	Sash Lifter Striker (9/13) Ответная Планка Микролифта	Strikers List
10a	V.07/186.XX.01	VKEK..	Sash Lifter Striker Lux (9/13) Ответная Планка Микролифта Lux	Strikers List
11	V.07/910.XX.01	VUM..	Top Sash Hinge (9/13) / Верхняя Петля Створки	Strikers List
12	V.07/920.00.01	VUMF	Top Frame Hinge / Верхняя Петля Рамы	
12a	V.07.920.01.01	VUMFS	Top Frame Hinge Template / Верхняя Петля Рамы Шаблон	
12b	V.07.920.03.01	VUMF2	Top Frame Hinge / Верхняя Петля Рамы (130kg)	
13	V.07/930.00.01	VKM1	Bottom Frame Hinge / Нижняя Петля Рамы	
13a	V.07/930.01.01	VKM3	Bottom Frame Hinge (130 kg) / Нижняя Петля Рамы	
14	V.07/940.00.01	VKM2	Bottom Sash Hinge (130 kg) / Нижняя Петля Створки	
14a	V.07/9XX.XX.01	VKM4.XX	Rebate Corner Support Hinge (130 kg) / Нижняя петля с углом	
14b	V.08/945.00.01	VKM5	Bottom Sash Hinge (100 kg) / Нижняя Петля Створки	
15	V.15/905.05.XX	VKP.XX	Cover Caps-Standard Комплект Петлевых Декоров	
16	V.07/XXX.XX.01	VM..	Horizontal Tilt Lock Striker Plate (9/13) Горизонтально Отк.-Ответная Планка	Strikers List
17	V.07/96X.XX.01	VGV..	Security Striker (9/13) Ответ.Планка Противовзломная	Strikers List

## System Groups / V.H.H. Horizontal Tilt Before Turn / Standard Security

## Система групп / Горизонтально поворотно-Откидывание перед поворотом / Стандартная безопасность

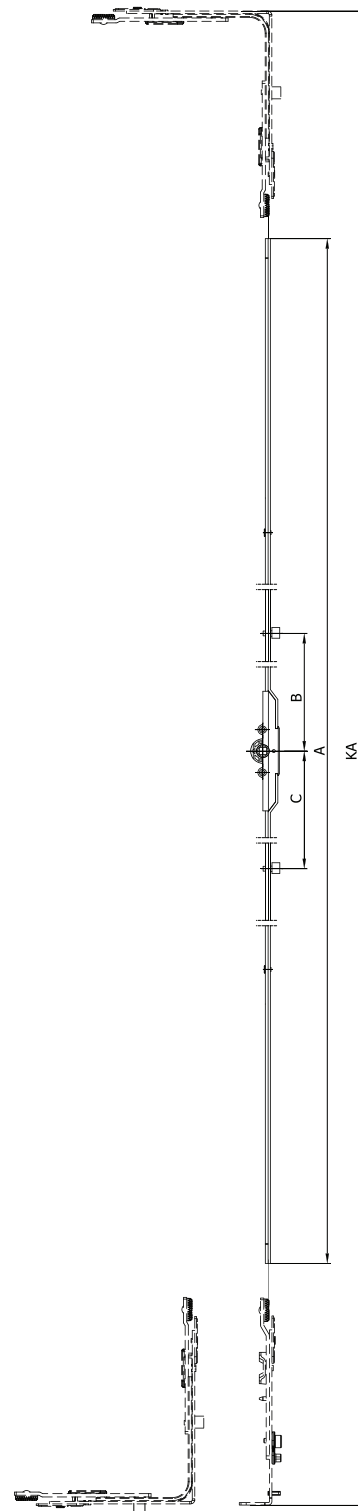
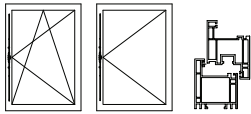


## 15 mm Backset T&T Espagnolette (Variable Handle Height) Поворотно-Откидной Запор



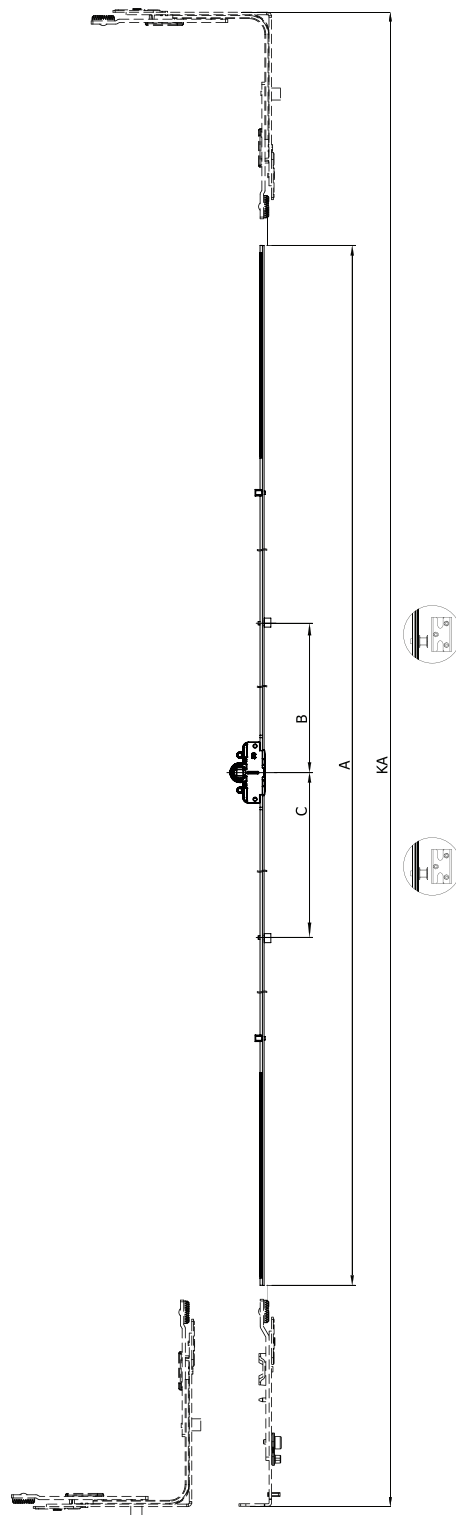
(Standard Pin)	(Security Pin)	(Short Code)	KA Usage Length	A	B	C				
V.01.110.15.01	V.01.110.01.01	VGR-1	480-730	420	-	-	-	0	0	10
V.01.170.15.01	V.01.170.01.01	VGR-1S	580-730	470	-	-	-	2	0	10
V.01.120.15.01	V.01.120.01.01	VGR-2	730-1180	870	112,5	-	+	3	1	10
V.01.160.15.01	V.01.160.01.01	VGR-S	950-1400	1090	112,5	-	+	4	1	10
V.01.130.15.01	V.01.130.01.01	VGR-3	1180-1630	1320	112,5	-	+	6	1	10
V.01.140.15.01	V.01.140.01.01	VGR-4	1630-2080	1770	410	360	+	7	2	10
V.01.150.15.01	V.01.150.01.01	VGR-5	1900-2350	2040	410	495	+	7	2	10

## 7,5mm Backset T&T Espagnolette (Variable Handle Height) Поворотно-Откидной Запор



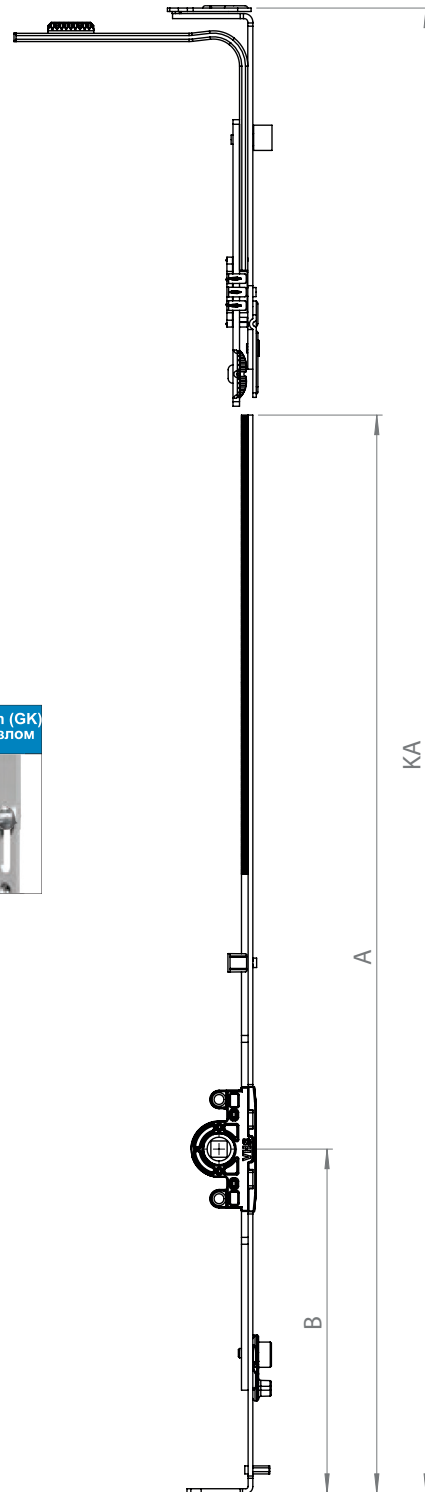
(Standard Pin)	(Security Pin)	(Short Code)	KA Usage Length	A	B	C				
V.01.110.75.01	V.01.110.02.01	VIG-1	480-730	420	-	-	-	0	0	8
V.01.120.75.01	V.01.120.02.01	VIG-2	730-1180	870	112,5	-	+	3	1	8
V.01.160.75.01	V.01.160.02.01	VIG-S	950-1400	1090	112,5	-	+	4	1	8
V.01.130.75.01	V.01.130.02.01	VIG-3	1180-1630	1320	112,5	-	+	6	1	8
V.01.140.75.01	V.01.140.02.01	VIG-E3	1180-1630	1320	112,5	218	+	6	2	8
V.01.140.75.01	V.01.140.02.01	VIG-4	1630-2080	1770	410	360	+	7	2	8
V.01.150.75.01	V.01.150.02.01	VIG-5	1900-2350	2040	410	495	+	7	2	8

30 mm Backset T&T Espagnolette (Variable Handle Height)  
Поворотно-Откидной Запор



(Standard Pin)	(Security Pin)	(Short Code)	KA	Usage Length	A	B	C				
V.01.110.30.01	V.01.110.03.01	VGR30-1		480-730	420	-	-	-	0	0	10
V.01.170.30.01	V.01.170.03.01	VGR30-1S		580-730	470	-	-	-	2	0	10
V.01.120.30.01	V.01.120.03.01	VGR30-2		730-1180	870	112,5	-	+	3	1	10
V.01.160.30.01	V.01.160.03.01	VGR30-5		950-1400	1090	112,5	-	+	4	1	10
V.01.130.30.01	V.01.130.03.01	VGR30-3		1180-1630	1320	112,5	-	+	6	1	10
V.01.140.30.01	V.01.140.03.01	VGR30-4		1630-2080	1770	410	360	+	7	2	10
V.01.150.30.01	V.01.150.03.01	VGR30-5		1900-2350	2040	410	495	+	7	2	10

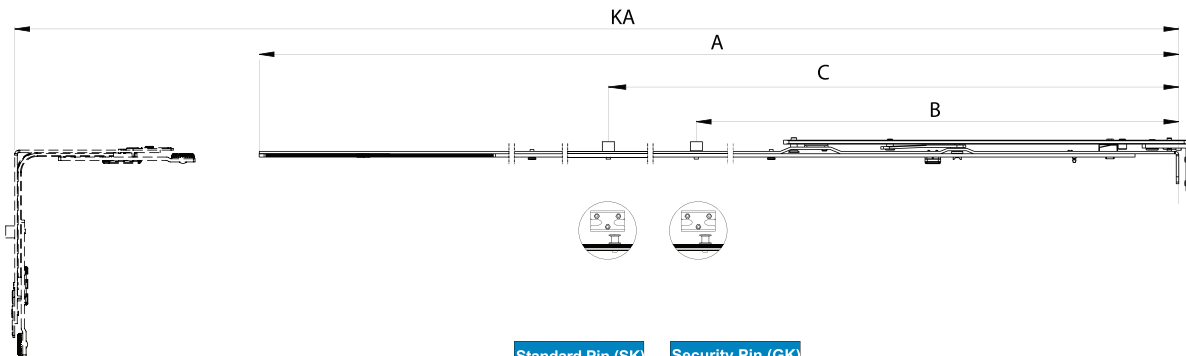
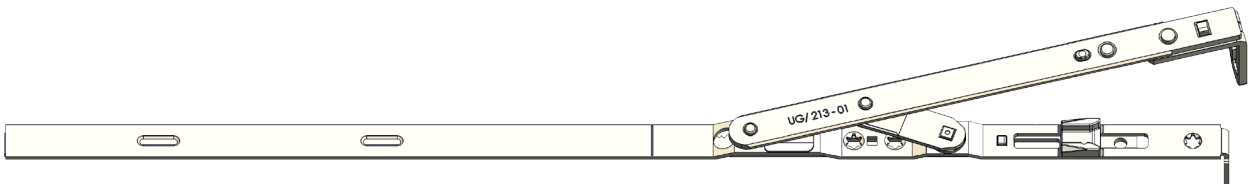
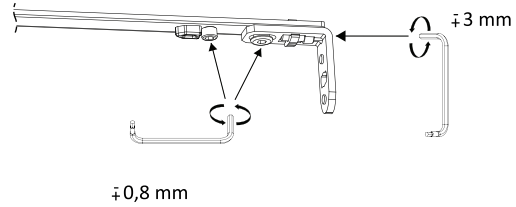
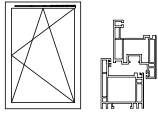
15 mm Backset T&T Espagnolette (Fixed Handle Height)  
 Поворотно-откидной запор (Переменная высота ручки)



(Standard Pin)	(Security Pin)	(Short Code)	KA Usage Length	A	B		
V.01.111.15.01	V.01.111.04.01	VGRF-1	460-625	470	150	0	10

- VGR-1S + VGR-2 + VGR-S + VGR-3 + VGR-4 + VGR-5
- Please Ask
- Просьба Уточнить

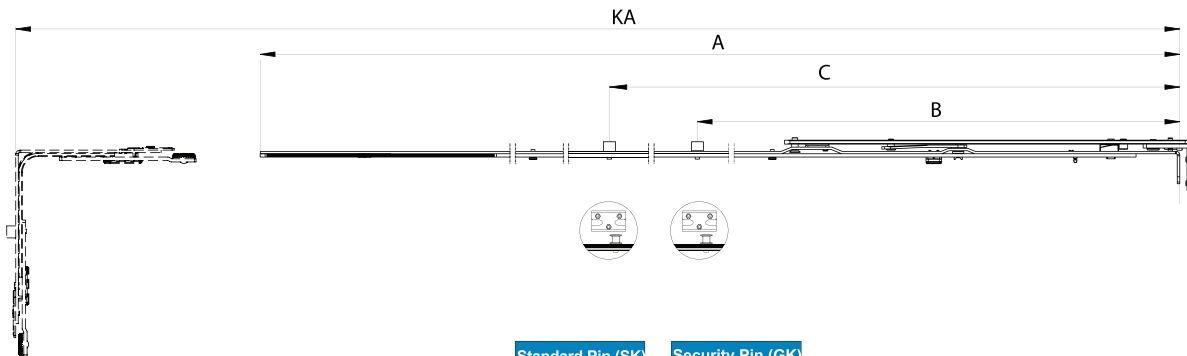
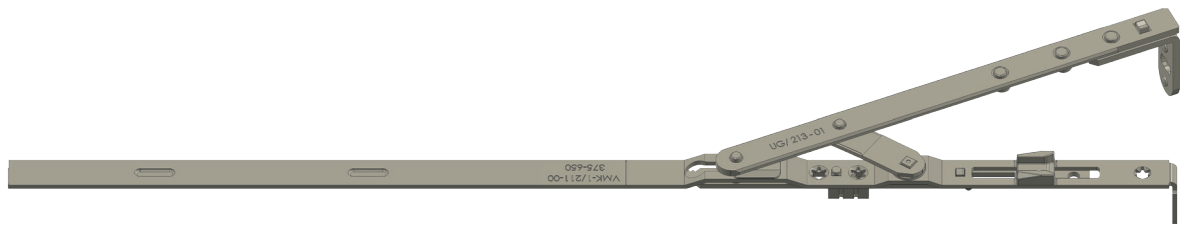
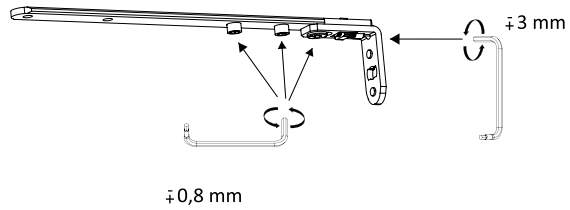
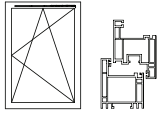
Stay Arm  
Ножницы



(Standard Pin)	(Security Pin)	(Short Code)	KA Usage Length	A	B	C			
V.02.210.00.01	V.02.210.01.01	VMK-1	375-650	490	-	-	4	0	10
V.02.220.00.01	V.02.220.01.01	VMK-2	565-840	709	640	-	6	0	10
V.02.221.00.01	V.02.221.01.01	VMK-2S	615-840	709	420	-	6	1	10
V.02.230.00.01	V.02.230.01.01	VMK-3	770-1045	914	470	-	8	1	10
V.02.240.00.01	V.02.240.01.01	VMK-4	990-1265	1134	680	-	9	1	10
V.02.250.00.01	V.02.250.01.01	VMK-5	1210-1485	1354	640	900	10	2	10

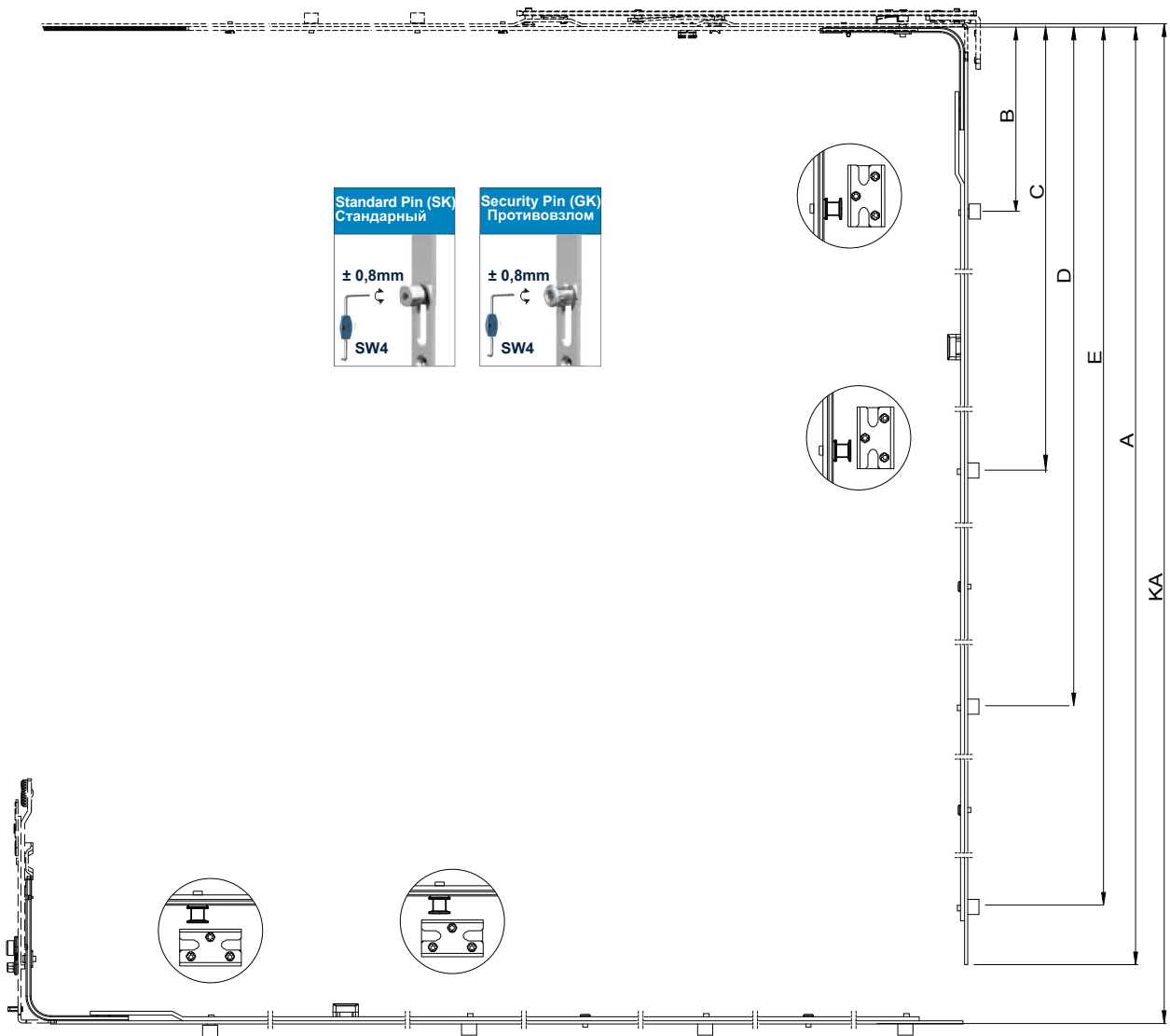
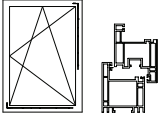


## Stay Arm / Tilt Before Turn Ножницы / Откидывание перед поворотом



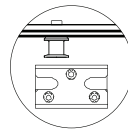
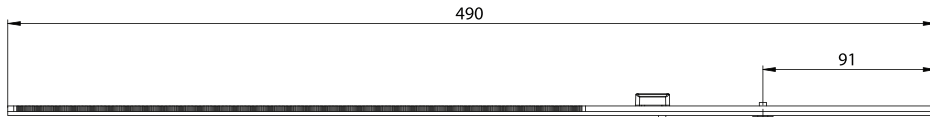
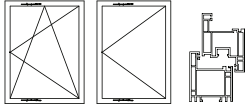
(Standard Pin)	(Security Pin)	(Short Code)	KA Usage Length	A	B	C			
V.02.410.00.01	V.02.410.01.01	VMKTB-1	375-650	490	-	-	4	0	10
V.02.420.00.01	V.02.420.01.01	VMKTB-2	565-840	709	640	-	6	0	10
V.02.421.00.01	V.02.421.01.01	VMKTB-2S	615-840	709	420	-	6	1	10
V.02.430.00.01	V.02.430.01.01	VMKTB-3	770-1045	914	470	-	8	1	10
V.02.440.00.01	V.02.440.01.01	VMKTB-4	990-1265	1134	680	-	9	1	10
V.02.450.00.01	V.02.450.01.01	VMKTB-5	1210-1485	1354	640	900	10	2	10

## Middle Lock Промежуточное Запирание



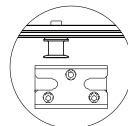
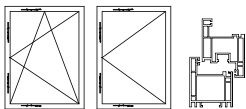
(Standard Pin)	(Security Pin)	(Short Code)	KA Usage Length	A	B	C	D	E			
V.03.300.00.01	V.03.300.01.01	VOK-0	400-850	252,5	207,5	-	-	-	2	1	50
V.03.310.00.01	V.03.310.01.01	VOK-1	850-1200	512,5	131	467,5	-	-	3	2	10
V.03.360.00.01	V.03.360.01.01	VOK-1S	850-1300	592,5	131	547,5	-	-	3	2	10
V.03.370.00.01	V.03.370.01.01	VOK-1SE	850-1400	677,5	126,5	632	-	-	3	2	10
V.03.320.00.01	V.03.320.01.01	VOK-2	1200-1500	777,5	131	732,5	-	-	4	2	10
V.03.330.00.01	V.03.330.01.01	VOK-3	1400-1700	1072,5	131	579,5	1027,5	-	6	3	10
V.03.340.00.01	V.03.340.01.01	VOK-4	1600-2050	1352,5	131	719,5	1307,5	-	7	3	10
V.03.350.00.01	V.03.350.01.01	VOK-5	2000-2350	1752,5	131	719,5	1219,5	1707,5	8	4	10

Horizontal Extension Lock  
Горизонтальное Запирание



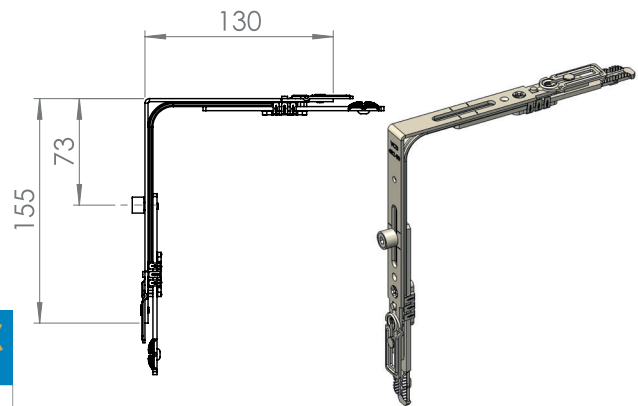
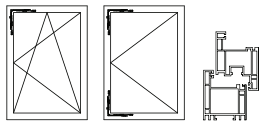
			<b>KA</b> Usage Length			
(Standard Pin)	(Security Pin)	(Short Code)				
V.06.800.00.01	V.06.800.01.01	VYK	350-620	2	1	20

Extension Lock  
Дополнительный Элемент



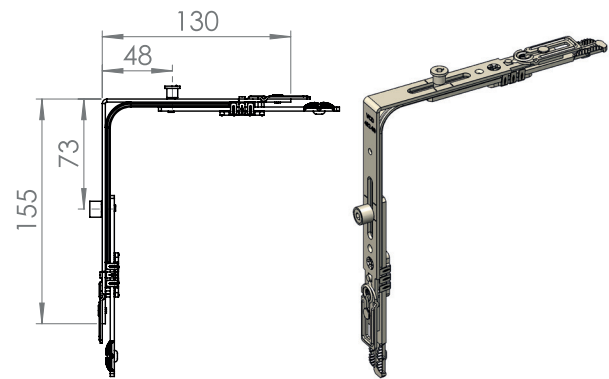
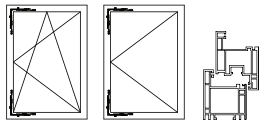
			<b>KA</b> Usage Length			
(Standard Pin)	(Security Pin)	(Short Code)				
V.06.850.00.01	V.06.850.01.01	VIL	390-660	2	1	20

## Corner Drive Угловой Переключатель



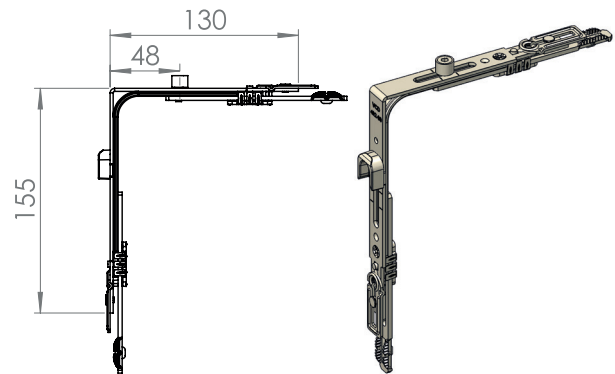
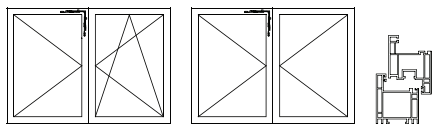
		(Short Code)	Product				
V.04.400.00.01	VCD-1	155 SK1 x 130		4	1	-	50

## Corner Drive Угловой Переключатель



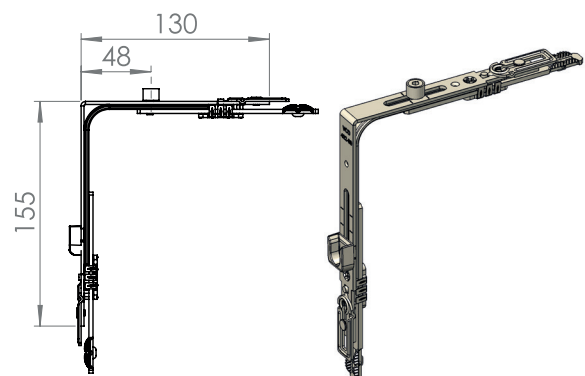
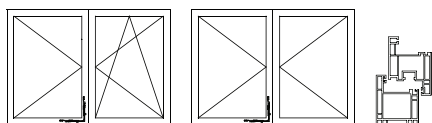
		(Short Code)	Product				
V.04.402.00.01	VCD-2	155 SK1 x 130 GK1		4	1	1	50

## Corner Drive Угловой Переключатель



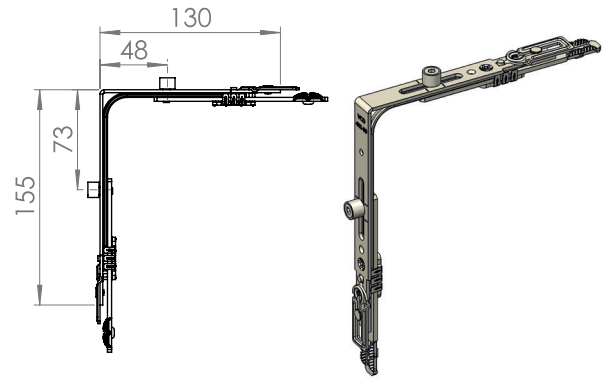
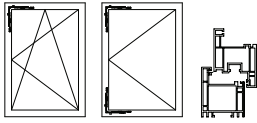
		(Short Code)	Product				
V.04.403.00.01	VCD-3	155 x 130 SK1		4	1	-	50

## Corner Drive Угловой Переключатель



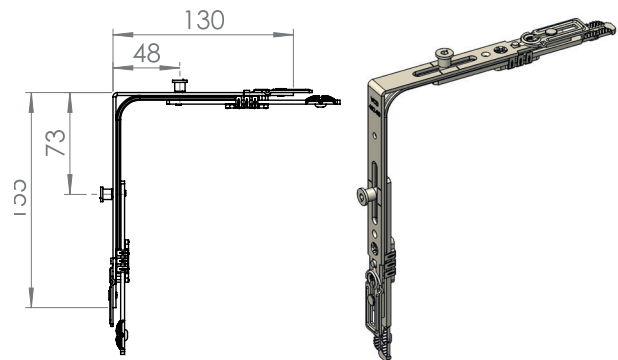
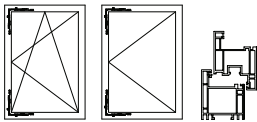
		(Short Code)	Product				
V.04.404.00.01	VCD-4	155 x 130 SK1		4	1	-	50

## Corner Drive Угловой Переключатель



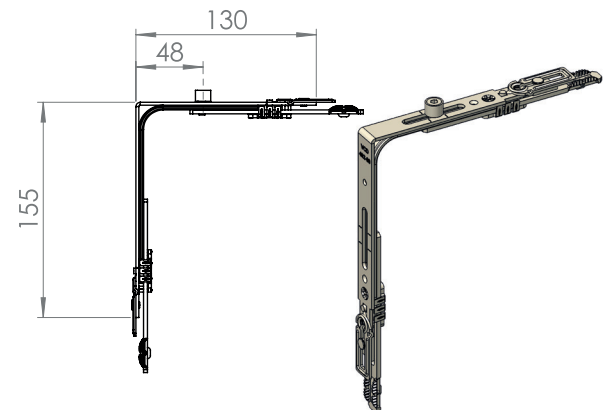
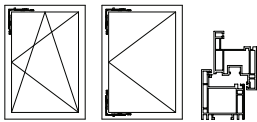
Shopping Cart Icon		(Short Code) Product	Screw Icon		Bracket Icon		Box Icon	
V.04.405.00.01	VCD-5	155 SK1 x 130 SK1	4	2	-	50		

## Corner Drive Угловой Переключатель



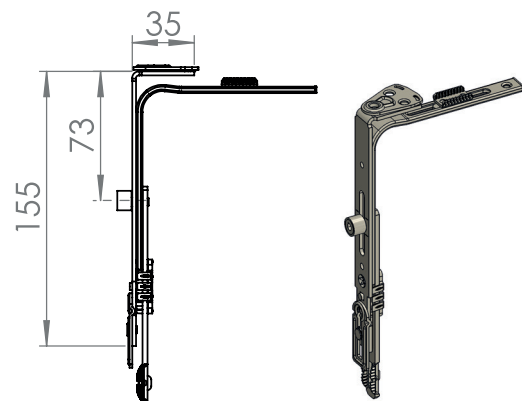
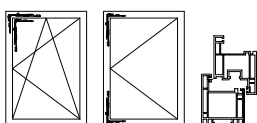
Shopping Cart Icon		(Short Code) Product	Screw Icon		Bracket Icon		Box Icon	
V.04.406.00.01	VCD-6	155 GK1 x 130 GK1	4	-	2	50		

## Corner Drive Угловой Переключатель



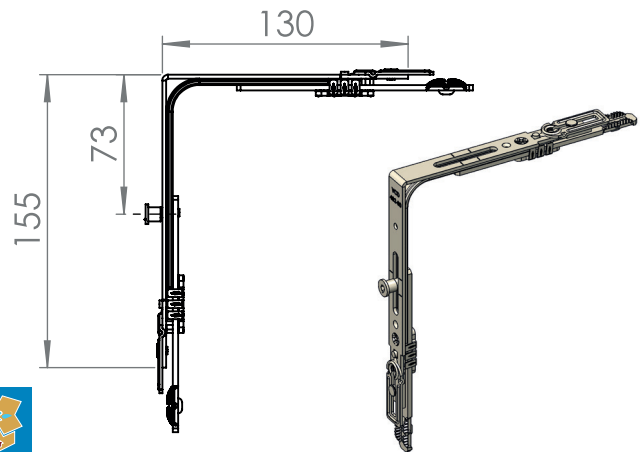
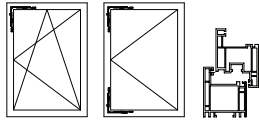
Shopping Cart Icon		(Short Code) Product	Screw Icon		Bracket Icon		Box Icon	
V.04.401.00.01	VCD-7	155 x 130 SK1	4	1	-	50		

## Corner Drive Угловой Переключатель



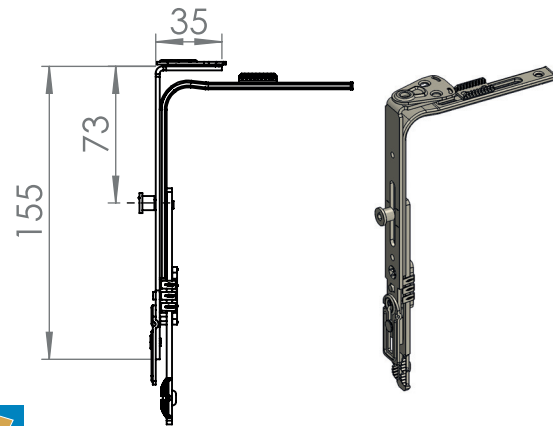
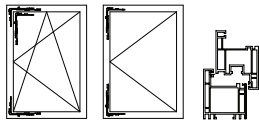
Shopping Cart Icon		(Short Code) Product	Screw Icon		Bracket Icon		Box Icon	
V.04.407.00.01	VCD-8	155 SK1 x 35	4	1	-	50		

Corner Drive  
Угловой Переключатель



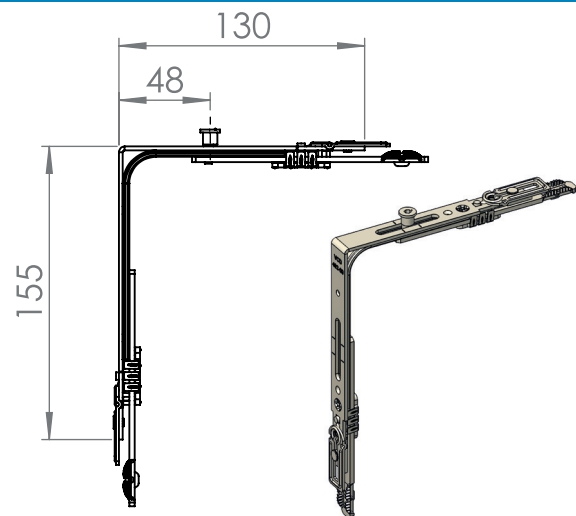
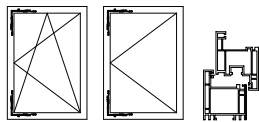
(Short Code) Product									
V.04.409.00.01	VCD-9	155 GK1 x 130	4	-	1	50			

Corner Drive  
Угловой Переключатель



(Short Code) Product									
V.04.410.00.01	VCD-10	155 GK1 x 35	2	-	1	60			

Corner Drive  
Угловой Переключатель

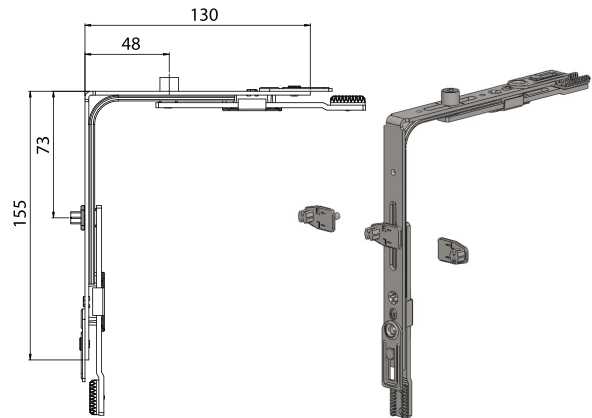
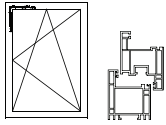


(Short Code) Product									
V.04.411.00.01	VCD-11	155 x 130 GK1	4	-	1	50			

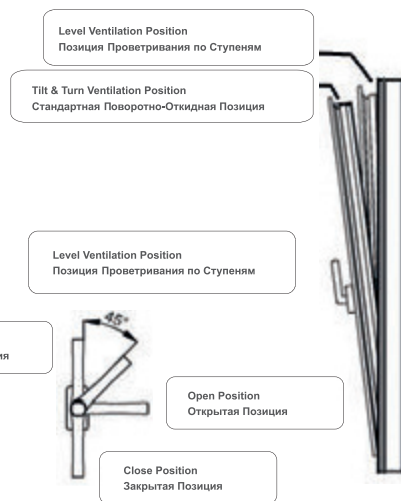
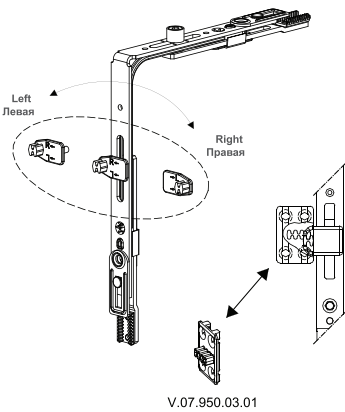
# Tilt & Turn Systems Поворотно-Откидные Системы



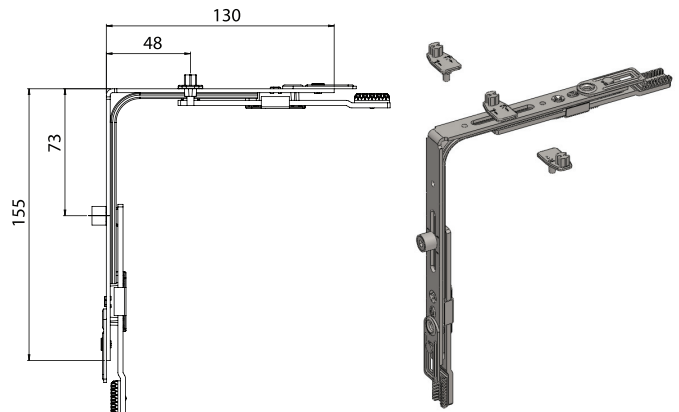
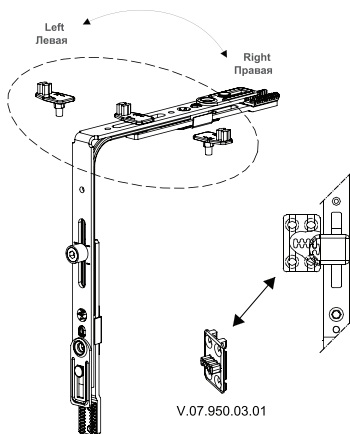
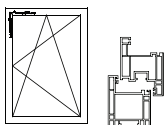
## Corner Drive Угловой Переключатель



		(Short Code)	Product				
V.04.412.00.01	VCD-12R	155 x 130	SK1	4	1	-	40
V.04.412.01.01	VCD-12L	155 x 130	SK1	4	1	-	40

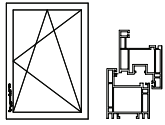


## Corner Drive Угловой Переключатель

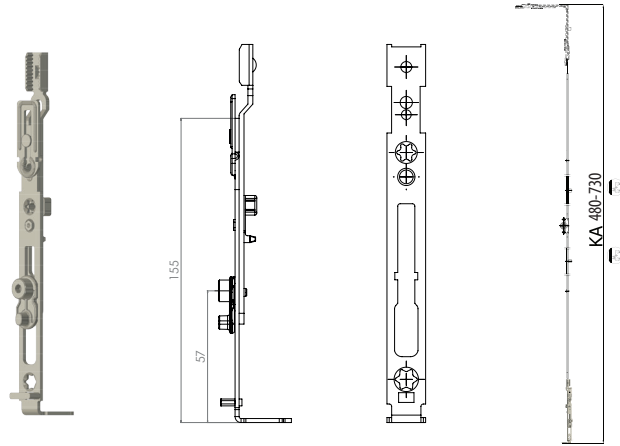


		(Short Code)	Product				
V.04.413.00.01	VCD-13R	155	SK1 x 130	4	1	-	40
V.04.413.01.01	VCD-13L	155	SK1 x 130	4	1	-	40

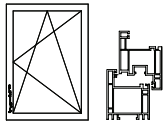
## Vertical Tilt Lock (For Small Windows) Вертикальный Замок



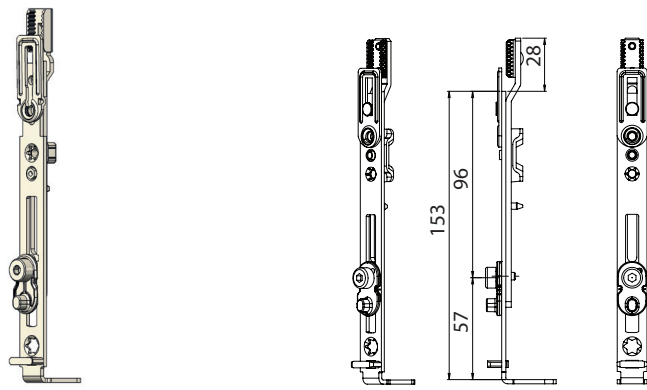
	(Short Code)				
V.04.406.02.01	VAK-0	3	1	-	100



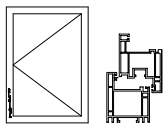
## Vertical Tilt Lock Вертикальный Замок



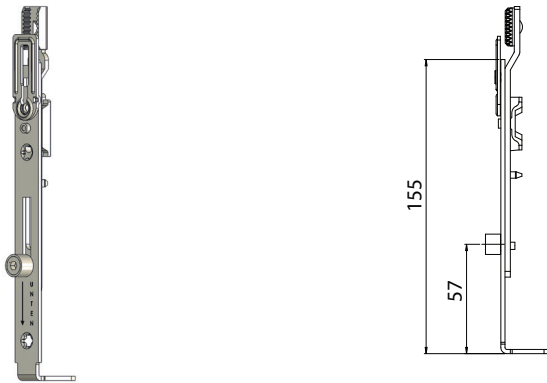
	(Short Code)				
V.04.406.00.01	VAK	3	1	-	100



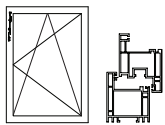
## Vertical Turn Lock - Bottom Поворотный Замок (Нижний)



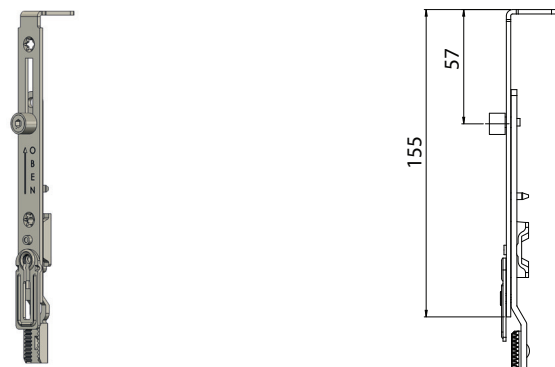
	(Short Code)				
V.04.408.02.01	VAK2-A	3	1	-	100



## Vertical Turn Lock - Top Поворотный Замок (Верхний)

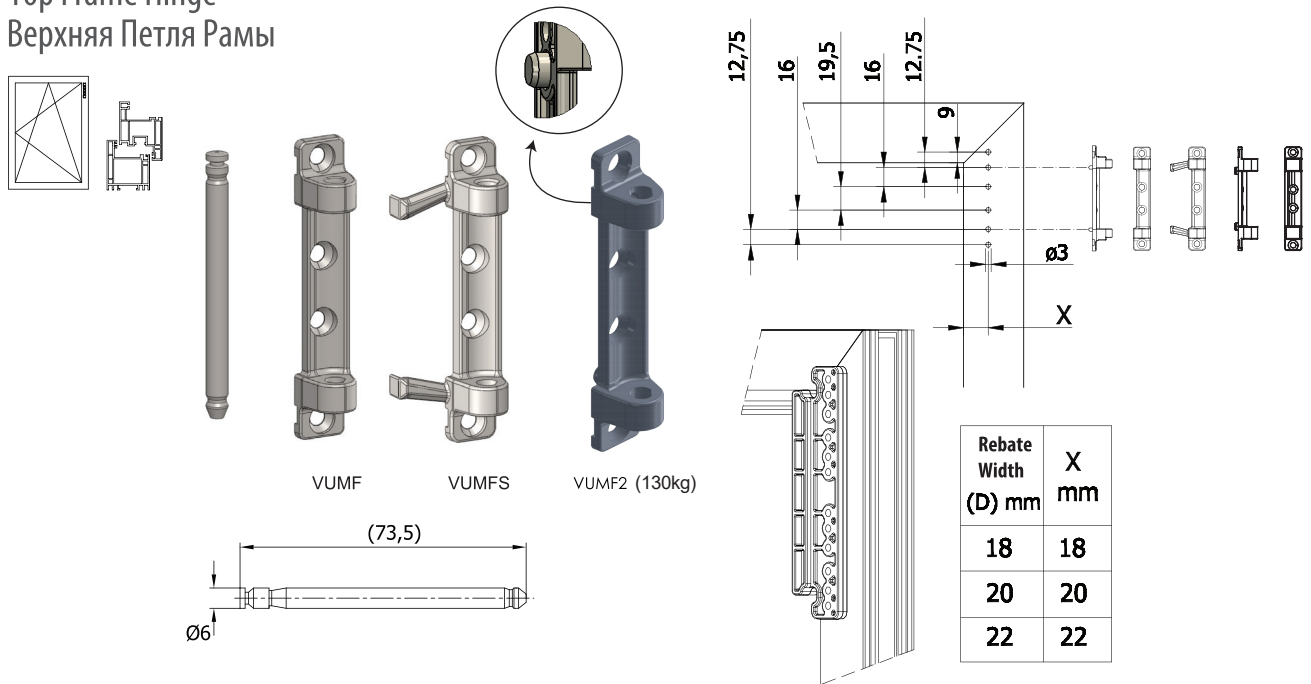


	(Short Code)				
V.04.408.03.01	VAK2-U	3	1	-	100



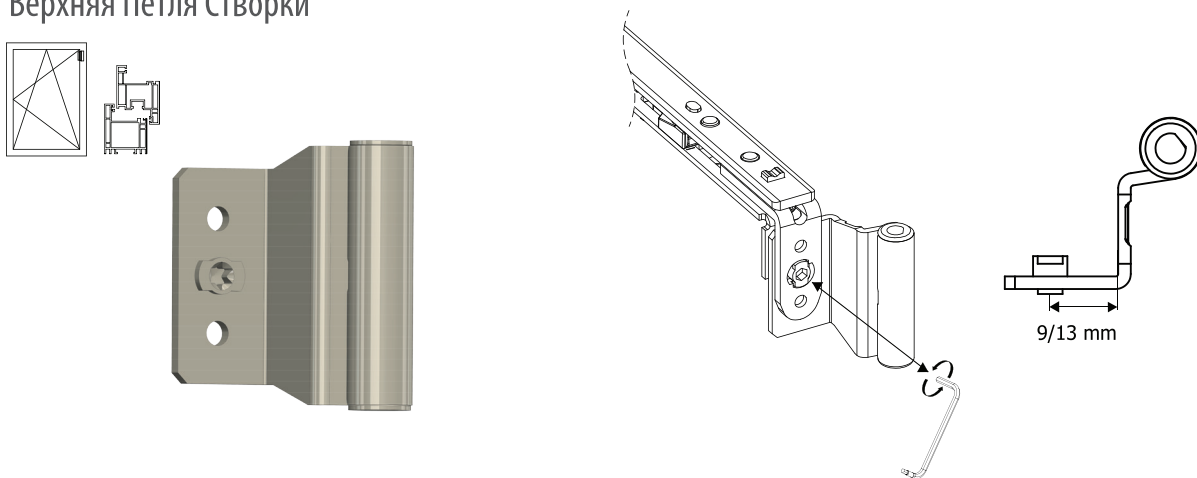


Top Frame Hinge  
Верхняя Петля Рамы



	(Short Code)	Product		
V.07.920.00.01	VUMF	Top Frame Hinge	4	300
V.07.920.01.01	VUMFS	Top Frame Hinge	4	300
V.07.920.03.01	VUMF2	Top Frame Hinge 130kg	4	300

Top Sash Hinge  
Верхняя Петля Створки



	(Short Code)	Product		
V.07.910.09.01	VUM-9	Top Sash Hinge (9 mm axis)	-	300
V.07.910.09.03	VUM-10	Top Sash Hinge(10 Mm Axis)	-	300
V.07.910.13.01	VUM-13	Top Sash Hinge (13 mm axis)	-	300
V.07.910.13.03	VUM-14	Top Sash Hinge (14 Mm Axis)	-	300

## Bottom Frame Hinge Нижняя Петля Рамы

Shopping Cart		(Short Code)	Product	Screw		Box	
V.07.930.00.01	VKM-1	Bottom Frame Hinge	4	300			
V.07.930.01.01	VKM-3	Bottom Frame Hinge 130 Kg	4	300			
V.07.930.02.01	VKM-6	Bottom Frame Hinge 130 + Kg	4	300			

## Bottom Sash Hinge Нижняя Петля Створки

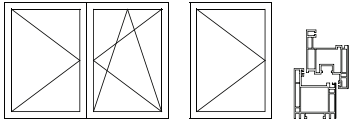
Shopping Cart		(Short Code)	Product	Screw		Box	
V.07.940.00.01	VKM-2	Bottom Sash Hinge 130 kg	2	300			
V.08.945.00.01	VKM-5	Bottom Sash Hinge	2	300			

Rebate Width (D) mm	X mm	Y mm
18		24
20	20	26
22		28

## Rebate Corner Support Hinge (R/L-9/13-130 Kg) Нижняя петля с углом

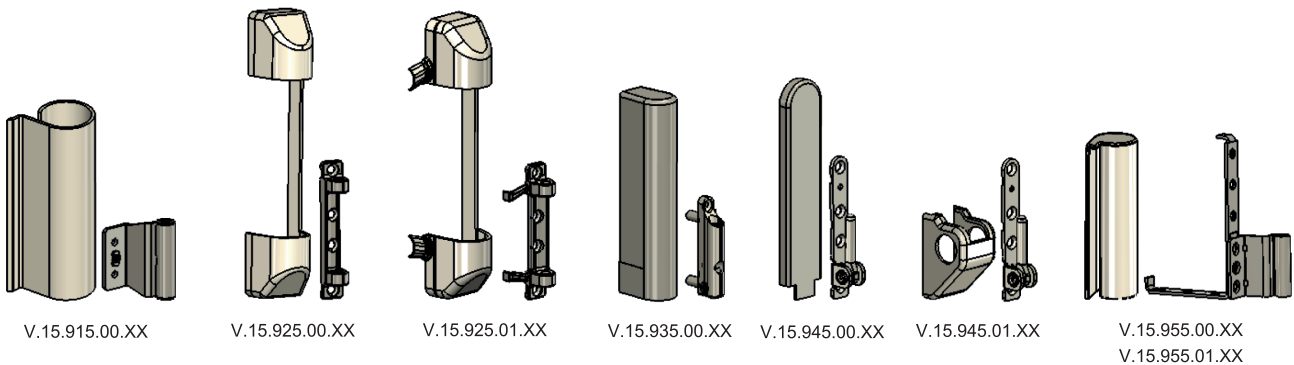
Shopping Cart		(Short Code)	Product	Screw		Box	
V.07.950.09.01	VKM-4 (09/R)	9 mm axis / Right	7	50			
V.07.960.09.01	VKM-4 (09/L)	9 mm axis / Left	7	50			
V.07.950.13.01	VKM-4 (13/R)	13 mm axis / Right	7	50			
V.07.960.13.01	VKM-4 (13/L)	13 mm axis / Left	7	50			

## Cover Caps for Tilt&Turn Hinge Group Комплект Петлевых Декоров

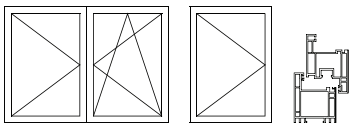


Used with <b>используется с</b>		
V.15.915.00.XX	VUM	100
V.15.925.00.XX	VUM-F	100
V.15.925.01.XX	VUM-FS	100
V.15.935.00.XX	VKM-2	100
V.15.945.00.XX	VKM-1	100
V.15.945.01.XX	VKM-1	100
V.15.955.00.XX	VKM-4R	50
V.15.955.01.XX	VKM-4L	50

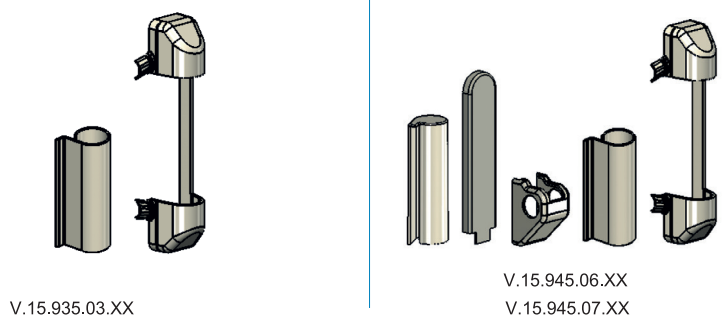
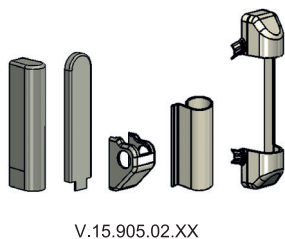
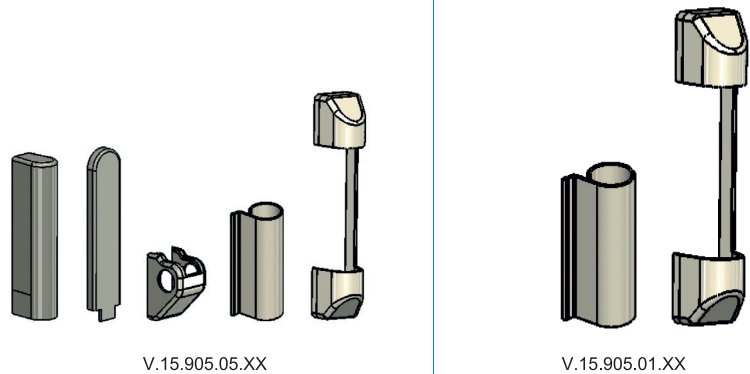
(XX)	COLOURS/ ВЫБОР ЦВЕТОВ
03	White - RAL 9016 / белый
04	Dark Brown - RAL 8017 / темно-коричневый
05	Light Brown - RAL 8003 / светло-коричневый
06	Beige - RAL 9001 / бежевый
07	Grey - RAL 9006 / серый
08	Grey Brown - RAL 8019 / серо-коричневый
09	Black Brown - RAL 8022 / коричневый
10	Silver / серебро
11	Gold / золото
12	Bronze / бронза
13	Champagne / шампанья
14	Titan / титан



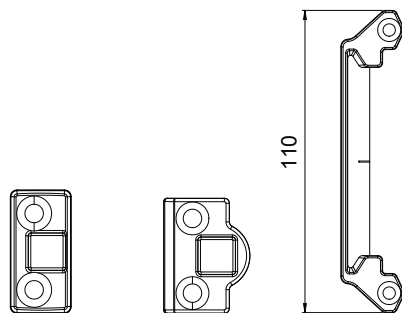
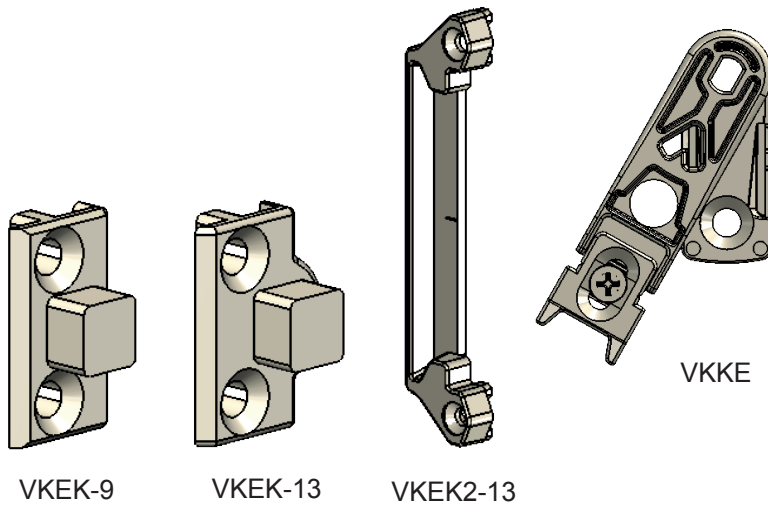
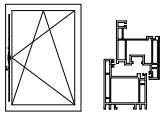
## Cover Caps Set for Tilt&Turn Hinge Group Комплект Петлевых Декоров



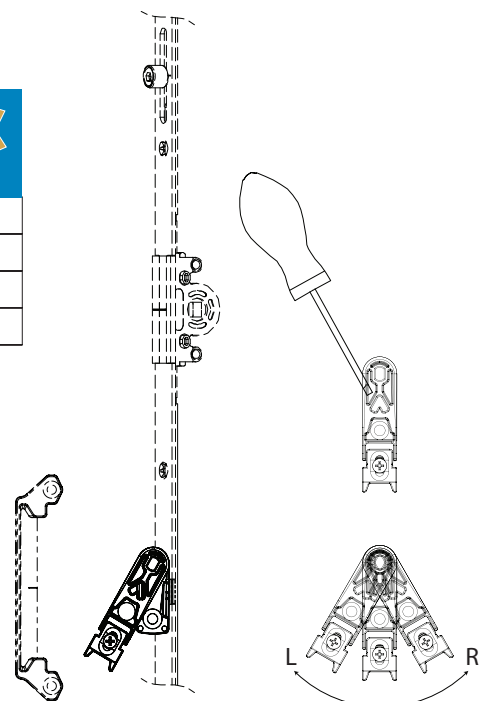
<b>Product</b>		
V.15.905.05.XX	VKP(XX)	100
V.15.905.01.XX	VKPM(XX)	200
V.15.905.02.XX	VKPS(XX)	100
V.15.935.03.XX	VKPMS(XX)	200
V.15.945.06.XX	VKPA(XX)R	100
V.15.945.07.XX	VKPA(XX)L	100



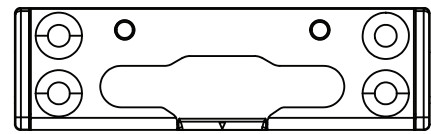
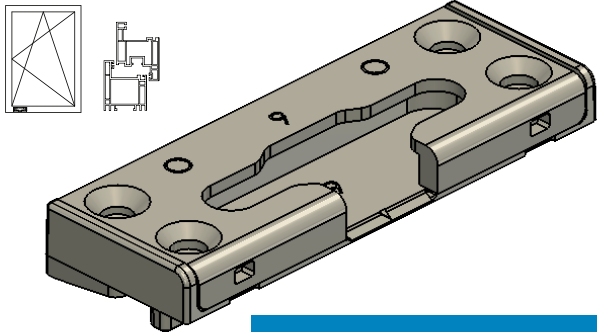
Sash Lifter with Anti-Mishandling Device  
 Микролифт



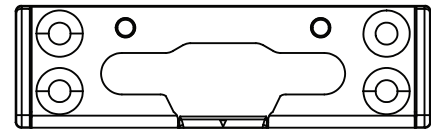
	(Short Code)			
V.07.175.00.01	VKKE	1	1	500
V.07.175.09.01	VKEK-9	-	2	1000
V.07.175.13.01	VKEK-13	-	2	1000
V.07.186.13.01	VKEK2-13	-	2	300



## Horizontal Tilt Lock Striker Plates Горизонтально Отк.-Ответная Планка



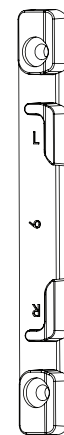
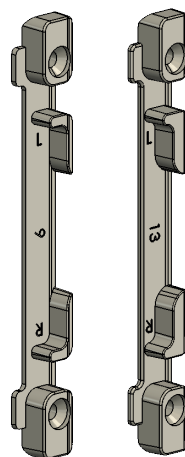
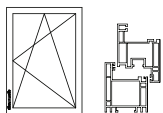
VM2035-9



VM2035-13

			(Short Code)		
V.07.2035.09.01	VM2035-9	4		4	240
V.07.2035.13.01	VM2035-13	4		4	240
V.07.2045.09.01	VM009	2		2	240

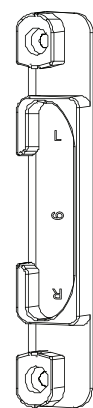
## Vertical Tilt Lock Striker Plates Верт.Ответная Планка



VY-9



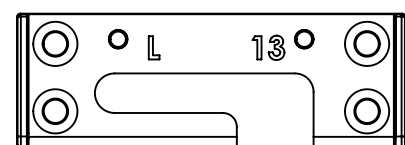
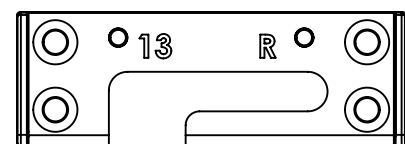
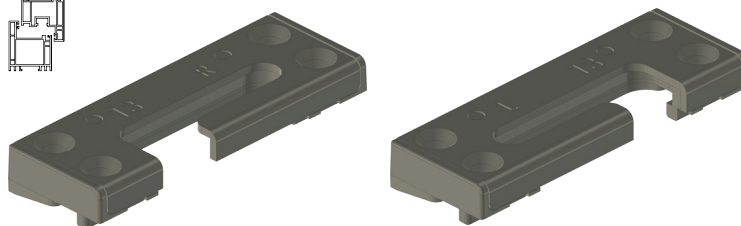
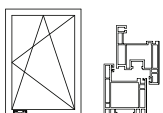
VY-13



VYC-9

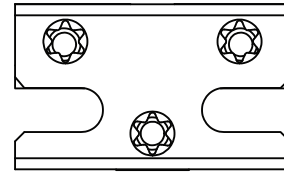
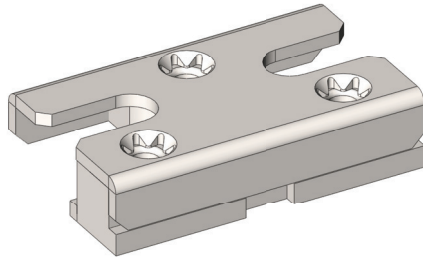
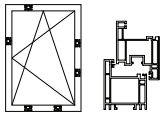
			(Short Code)		
V.07.980.09.01	VY-9	2		2	400
V.07.980.13.01	VY-13	2		2	400
V.07.982.09.01	VYC-9	2		2	240

## Horizontal Tilt Lock Striker Plates Горизонтально Отк.-Ответная Планка

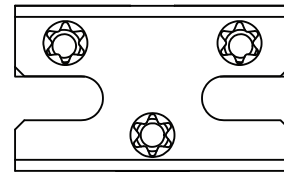


			(Short Code)		
V.07.2035L.09.01	VM2035L-09	4		4	240
V.07.2035R.09.01	VM2035R-09	4		4	240
V.07.2035L.13.01	VM2035L-13	4		4	240
V.07.2035R.13.01	VM2035R-13	4		4	240

Security Striker Plates  
Ответ.Планка Противовзломная



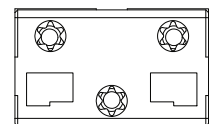
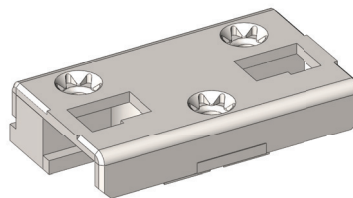
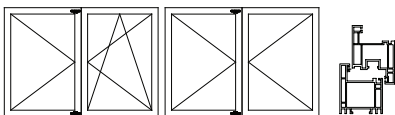
VGV2035-9



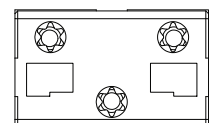
VGV2035-13

<span style="margin-left: 20px;">(Short Code)</span>			
V.07.9620.09.01	VGV2035-9	3	350
V.07.9620.13.01	VGV2035-13	3	350
V.07.9645.09.01	VGV3545-9	3	350
V.07.9645.13.01	VGV3545-13	3	350

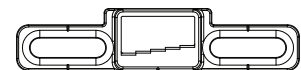
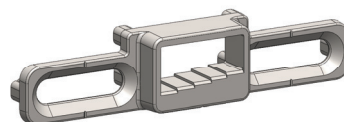
Shoot Bolt Striker Plates  
Ответная Планка Шпингалета



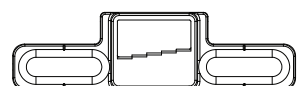
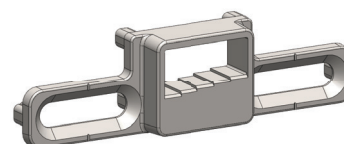
VSBK2035-9



VSBK2035-13



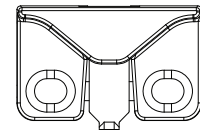
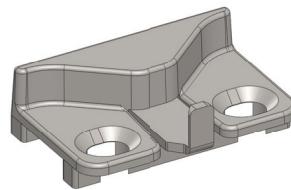
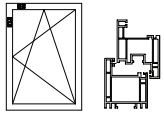
VSBK2-9



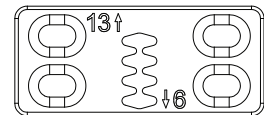
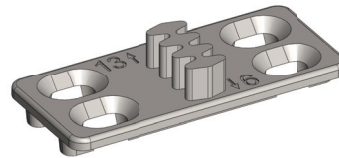
VSBK2-13

<span style="margin-left: 20px;">(Short Code)</span>			
V.07.5720.09.01	VSBK2035-9	3	350
V.07.5720.13.01	VSBK2035-13	3	350
V.07.5745.09.01	VSBK3545-9	3	350
V.07.5745.13.01	VSBK3545-13	3	350
V.07.5700.09.01	VSBK2-9	2	400
V.07.5700.13.01	VSBK-13	2	400

Microventilation Strikers  
Щелевое Проветривание



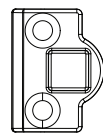
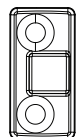
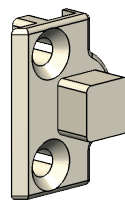
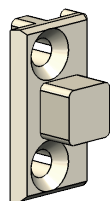
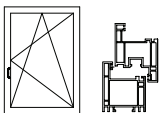
VMV2



VMV-3

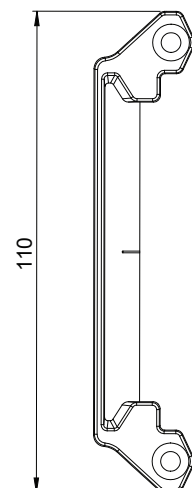
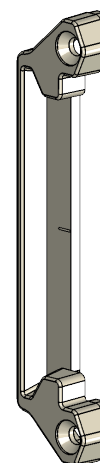
<span style="margin-left: 20px;">(Short Code)</span>			
V.07.950.02.01	VMV2	2	400
V.07.950.03.01	VMV-3	4	600

Sash Lifter Strikers  
Ответная Планка Микролифта



VKEK-9




VKEK-13



VKEK2-13

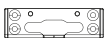

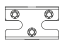
<span style="margin-left: 20px;">(Short Code)</span>			
V.07.175.09.01	VKEK-9	2	1000
V.07.175.13.01	VKEK-13	2	1000
V.07.186.13.01	VKEK2-13	2	300

Profile Strikers List  
Таблица Ответных Планок



Profile	Serie				Axis
ADOPEN	AKDENİZ	VM 20-35	VY13	VG 35	13
	MARMARA	VM 20-35	VY13	VG 35	13
	EKONOMİK	VM 20-35	VY09	VG 35	9
	PERGE	VM 20-35	VY09	VG 35	9
	ATLANTİK	VM 20-35	VY13	VG 35	13
	ATLANTİK V	VM 20-35	VY09	VG 35	9
	PASİFİK 80	VM 20-35	VY13	VG 35	13
	PENTEK	VM 20-35	VY09	VG 35	9
ALFAPEN	ORİON (ARMADA)	VM 20-35	VY09	VG 35	9
	IŞIN	VM 20-35	VY09	VG 35	9
	VENÜS	VM 20-35	VY09	VG 35	9
	WINGLAS	VM 20-35	VY09	VG 35	9
ASAŞPEN	5200 EKONOMİK	VM 20-35	VY09	VG 35	13
	7056	VM 20-35	VY09	VG 35	13
	6030-6040 DIAMOND	VM 20-35	VY13	VG 35	13
ALUPLAST	İdeal 2000	VM 20-35	VY13	VG 35	13
	İdeal 4000/6000	VM 35-45	VY13	VG 45	13
BAUTECH		VM 20-35	VY13	VG 35	13
BILKAPEN		VM 20-35	VY13		13
BIOWIN	SOFT	VM 09	VYC09	VG 35	9
	LARGE	VM 20-35	VY13	VG 35	13
	COOL	VM 20-35	VY09	VG 35	9
BİRPEN		VM 20-35	VY13	VG 35	13
BLICK		VM 20-35	VY09	VG 35	9
BRÜGMANN		VM 20-35	VY13	VG 35	13
DIMEX		VM 20-35	VY13	VG 35	13
DOORWIN		VM 20-35	VY13	VG 35	13
DURUPEN		VM 20-35	VY13	VG 35	13
DWT		VM 20-35	VY13	VG 35	13
EGEPEN	MAX	VM 35-45	VY13	VG 45	13
	LEGENT	VM 35-45	VY13	VG 45	13
	ZENDOW	VM 20-35	VY13	VG 35	13
ENDERPEN	KLASLINE	VM 20-35	VY13	VG 35	13
ERPEN	RADLINE	VM 09	VYC09	VG 35	9
	ECOLINE	VM 20-35	VY09	VG 35	9
	VIPLINE	VM 20-35	VY09	VG 35	9
	SOFTLINE	VM 20-35	VY09	VG 35	9
	SMARTLINE	VM 20-35	VY13	VG 35	13



Profile Strikers List  
Таблица Ответных Планок

Profile	Serie				Axis
EUROPEN	FİESTA	VM 20-35	VY13	VGV 35	13
	ELIT	VM 20-35	VY13	VGV 35	13
	LIGHT	VM 20-35	VY13	VGV 35	13
	DORLION	VM 20-35	VY13	VGV 35	13
EUROWIN		VM 20-35	VY13	VGV 35	13
FIRATPEN	TÜM SERİLER	VM 20-35	VY13	VGV 35	13
FİLPEN	TÜM SERİLER	VM 09	VY09		9
FLASHPEN	TÜM SERİLER	VM 20-35	VY13	VGV 35	13
GEALAN	S/3000	VM 35-45	VY13		13
GEDİZPEN		VM 20-35	VY09	VGV 35	13
GÜNELPEN	AZALEA	VM 20-35	VY13	VGV 35	13
	MAGNOLIA	VM 09	VY09		9
INTERPEN	INTERLINE	VM 20-35	VY13	VGV 35	13
KARPEN	BAYINDIR	VM 20-35	VY13	VGV35	13
	YAĞMUR	VM 20-35	VY13	VGV35	13
	OVAL	VM 20-35	VY13	VGV 35	13
KBE	System 58mm	VM 20-35	VY09	VGV 35	9
	System 70mm	VM 20-35	VY13	VGV 35	13
	System 70mm Select	VM 20-35	VY13	VGV 35	13
KNIPPING		VM 20-35	VY13	VGV 35	13
KÖMMERLING	EURODUR 35	VM 35-45	VY13	VGV 45	13
	EUROFUTUR	VM 35-45	VY13	VGV 45	13
KOMPEN	500 STARLINE	VM 20-35	VY09	VGV 35	9
	200 SÜPERLINE	VM 09	VYC09		9
	300 MEGALINE	VM 20-35	VY09		9
	600 TERMOLINE	VM 20-35	VY13	VGV 35	13
LAOUMAN		VM 20-35	VY09	VGV 35	9
MYWIN		VM 20-35	VY13	VGV 35	13
PAKPEN	OPTİMAL	VM 20-35	VY13	VGV 35	13
	GLOBAL	VM 20-35	VY13	VGV 35	13
PARPLAST	6032	VM 20-35	VY13	VGV 35	13
	6042	VM 20-35	VY13	VGV 35	13
PENEXTRA		VM 20-35	VY09	VGV 35	9
PENSA	ULTRA	VM 20-35	VY13	VGV 35	13
	DELUX	VM 35-45	VY13	VGV 45	13
PENTECH	EFES	VM 20-35	VY09	VGV 35	9
PİMAPEN	S-6000 KLASİK	VM 20-35	VY09	VGV 35	13
	S-6000 QUADRO	VM 20-35	VY13	VGV 35	13
	S-7000	VM 20-35	VY13	VGV 35	13
	S-7500	VM 20-35	VY13	VGV 35	13

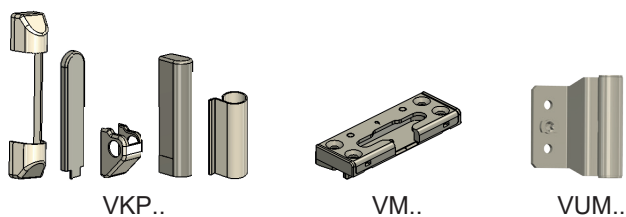
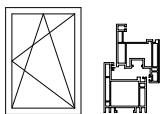
Profile Strikers List  
Таблица Ответных Планок

Profile	Serie				Axis
PLASCO	60mm	VM 20-35	VY13	VGV 35	13
PLASPEN	TÜM SERİLER	VM 20-35	VY13	VGV 35	13
POLİPEN		VM 20-35	VY13	VGV 35	13
PROPEN		VM 20-35	VY13	VGV 35	13
PROLINE		VM 20-35	VY13	VGV 35	13
REHAU	TÜM SERİLER	VM 20-35	VY13	VGV 35	13
RESMAN	60mm	VM 20-35	VY13	VGV 35	13
ROPLASTO	6001 AD	VM 20-35	VY09	VGV 35	9
	6001 MD	VM 20-35	VY09	VGV 35	9
	7001 AD	VM 20-35	VY13	VGV 35	13
SALAMANDER	DESIGN 2D	VM 35-45	VY13	VGV 45	13
	DESIGN 3D	VM 35-45	VY13	VGV 45	13
SARAY		VM 20-35	VY13	VGV 35	13
SARPLAST		VM 20-35	VY13	VGV 35	13
SCHÖNLINE	LINE 60	VM 20-35	VY13	VGV 35	13
STARWIN		VM 20-35	VY13	VGV 35	13
PLATIN ECO	SILVER BEST	VM 20-35	VY13	VGV 35	13
	PLATIN	VM 20-35	VY13	VGV 35	13
TECNOPLAS	STARTEC	VM 20-35	VY13	VGV 35	13
	SUPERTEC	VM 20-35	VY13	VGV 35	13
THYSSEN		VM 35-45	VY13		13
TROCAL	SK 4000	WM 09	VY13		13
UNIPLAST	GLOBAL	VM 09	VY09		9
	MONDIAL	VM 20-35	VY13	VGV 35	13
VEKA	SOFTLINE	VM 20-35	VY13	VGV 35	13
	TOPLINE-SWINGLINE	VM 20-35	VY13	VGV 35	13
VERATECH		VM 20-35	VY13	VGV 35	13
WEISS PVC		VM 09	VY13		13
WEISS PROFIL		VM 20-35	VY13	VGV 35	13
WINDER		VM 20-35	VY09	VGV 35	9
WINHOUSE	75'LİK	VM 20-35	VY09	VGV 35	13
WINSA	TÜM SERİLER	VM 09	VY13		13
		VM 09	VY13		13
		VM 09	VY13		13
WINSTAR	60mm	VM 20-35	VY13	VGV 35	13
WINPLAST		VM 20-35	VY09	VGV 35	9
WINDOLINE		VM 20-35	VY13	VGV 35	13

# Tilt & Turn Systems Поворотно-Откидные Системы



## Tilt&Turn System Standard Set (Horizontal) Стандартный Комплект



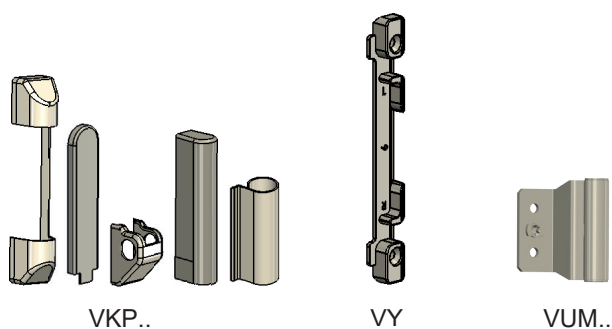
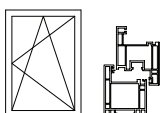
	(Short Code)	
V.15.905.05.XX	VKP	100
V.07.2035.XX	VM	240
V.07.910.XX	VUM	300



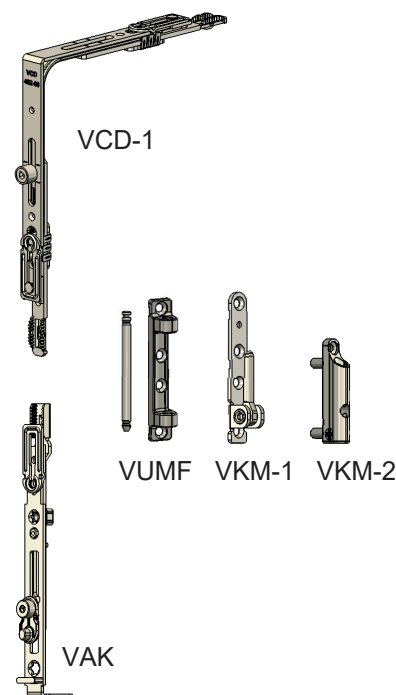
	(Short Code)	
V.04.420.00.XX	VST1	20

\* VST1=VCD-1+VCD-2+VUMF+VKM-1+VKM-2

## Tilt&Turn System Standard Set (Vertical) Элементы Стандартного Комплекта



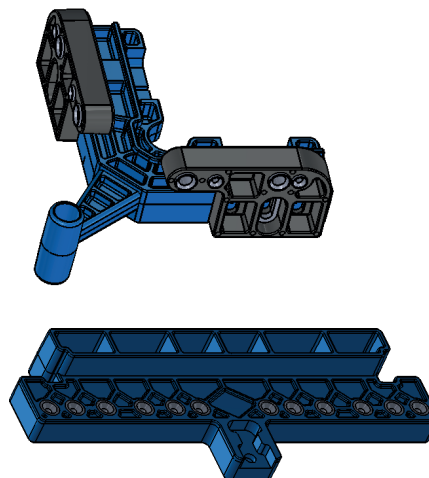
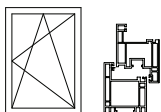
	(Short Code)	
V.15.905.05.XX	VKP	100
V.07.980.XX	VY	400
V.07.910.XX	VUM	300



	(Short Code)	
V.04.420.01.XX	VST2	20

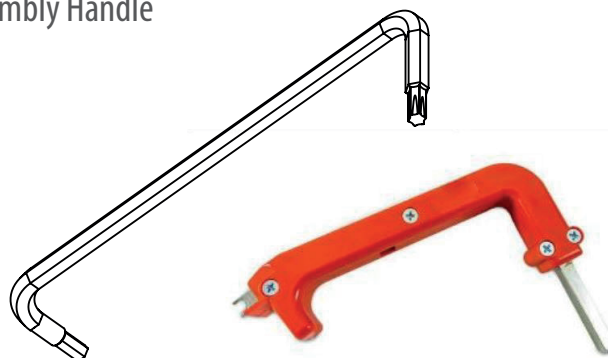
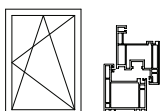
\* VST2=VCD-1+VAK+VUMF+VKM-1+VKM-2

## Drilling Jigs for Tilt&Turn System Hinges Шаблон нижней петли створки / верхней петли рамы



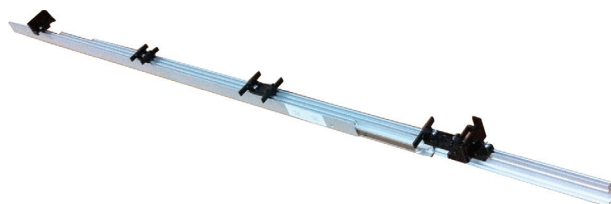
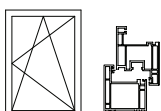
	(Short Code)	
V.99.010.00.00	VDT	10

## Allen (SW 4) for Assembly and Adjustment / Assembly Handle Аллен / Монтажный аппарат

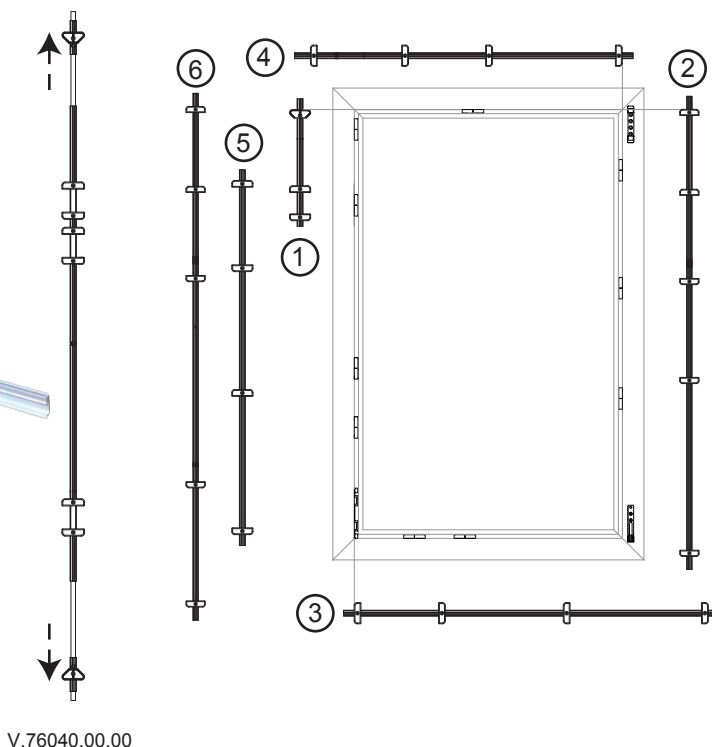


	(Short Code)	
V.99.065.00.00	VALY	10
V.99.035.00.00	MAP	10

## Drilling Templates for Tilt&Turn Strikers Шаблон для ответных планок

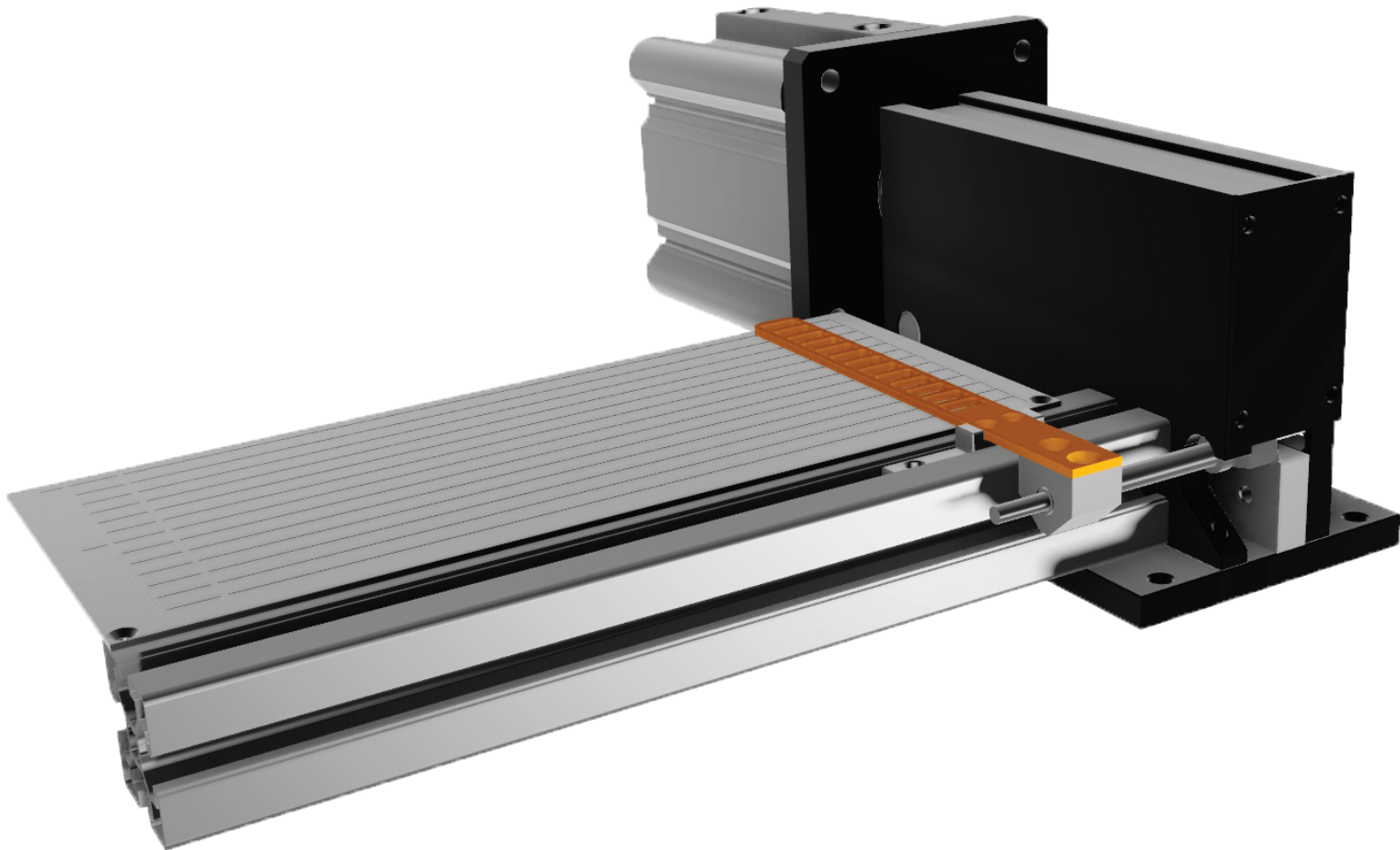




V.T76040.00.00



	Used for используемый для		
V.T76030.01.00	VCD..	1	
V.T76030.02.00	VOK-1 / VOK-1S / VOK-2	1	
V.T76030.03.00	VOK-3 / VOK-4	1	
V.T76030.04.00	VMK-3 / VMK-5	1	
V.T76030.05.00	VGR-2 / VGR-S / VGR-3	1	
V.T76030.06.00	VGR-4 / VGR-5	1	
V.T76040.00.00	VCD../ VOK../ VMK../ VGR..	1	

Pneumatic Espagnolette Cutting Machine  
Гильотин (пневматический обрубочный аппарат)

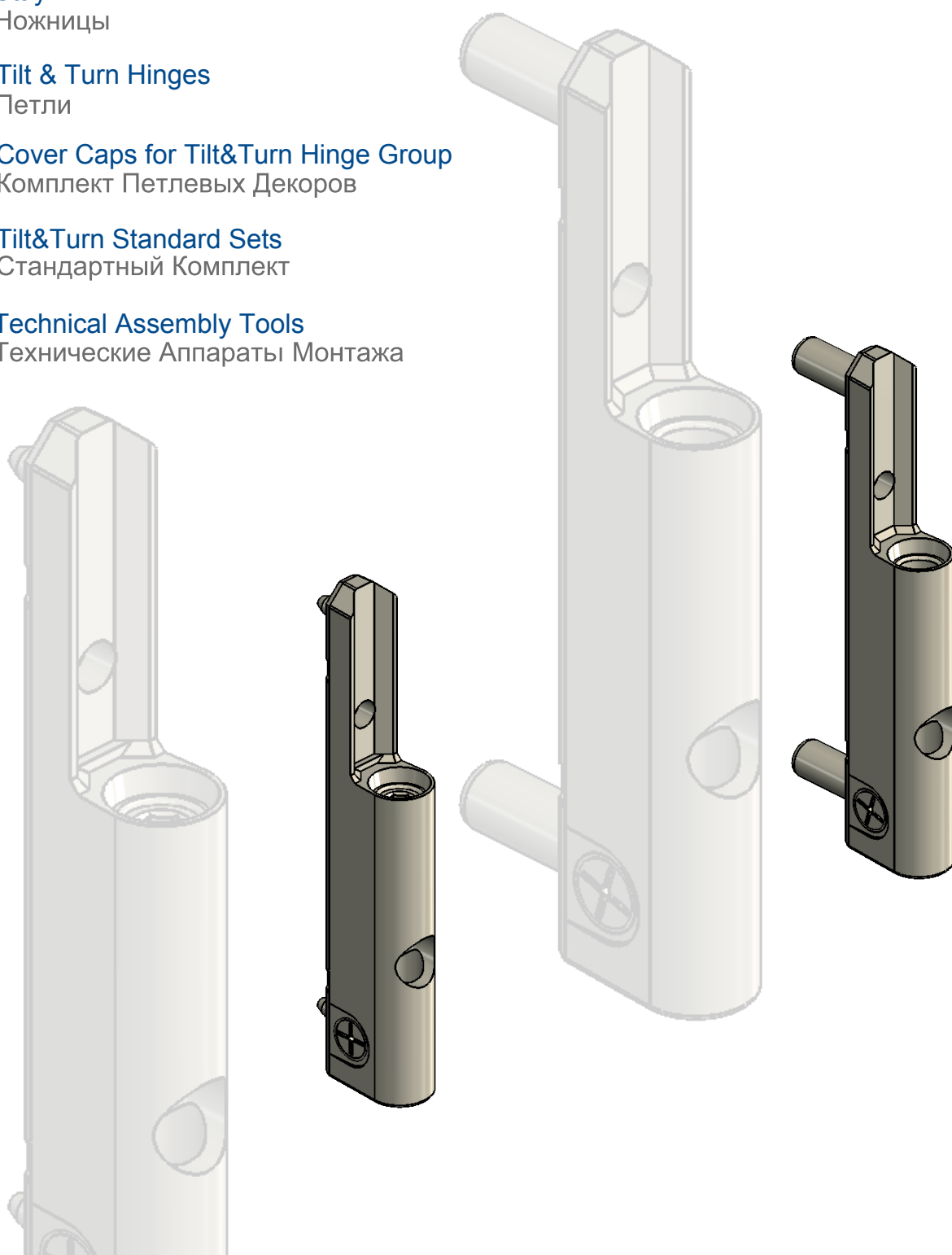


	(Short Code)	
V.99090.00.00	VGCM	1

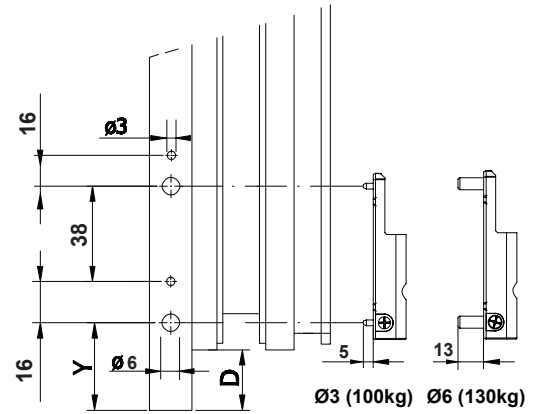
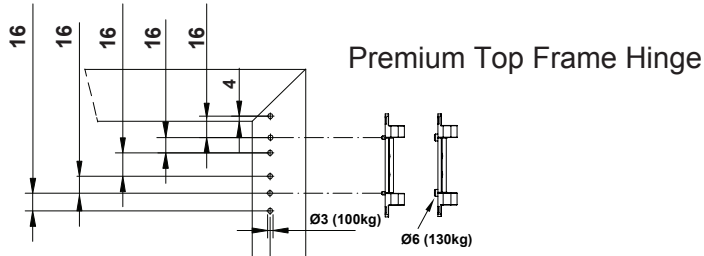
# PREMIUM Tilt & Turn Systems

## PREMIUM Поворотно-Откидные Системы

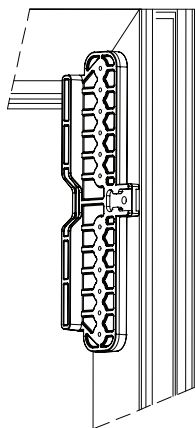
- 02.16.00** Technical and General Information  
Общая техническая информация
- 02.17.00** System Groups  
Система групп
- 02.18.00** Stay Arm  
Ножницы
- 02.19.00** Tilt & Turn Hinges  
Петли
- 02.20.00** Cover Caps for Tilt&Turn Hinge Group  
Комплект Петлевых Декоров
- 02.21.00** Tilt&Turn Standard Sets  
Стандартный Комплект
- 02.22.00** Technical Assembly Tools  
Технические Аппараты Монтажа



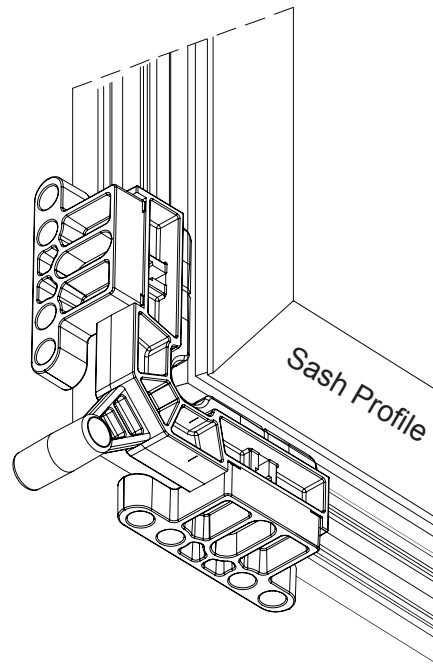
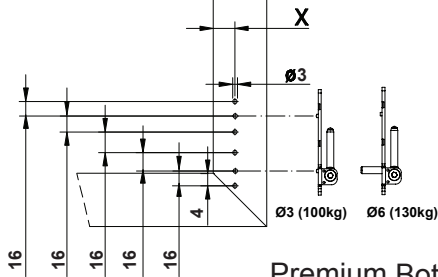
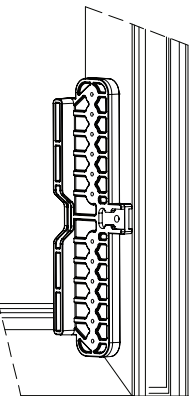
Technical and General Information / Assembly Instructions / Frame and Sash Hinges  
 Общая техническая информация / Инструкция по сборке / Петли рамы и створки



Rebate Width (D) mm	X mm	Y mm
18		33,5
20	20	35,5
22	22	37,5



Frame Profile



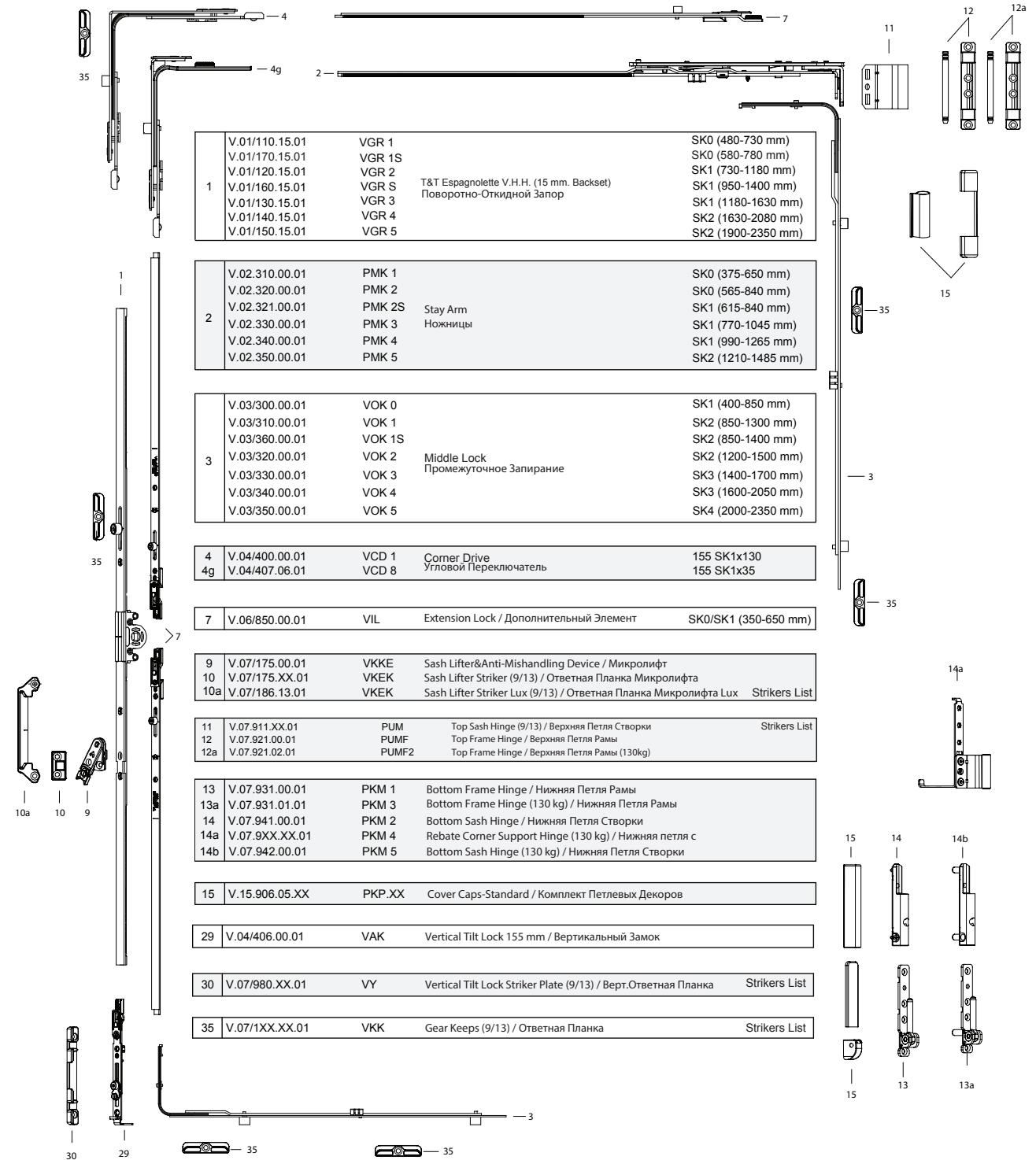
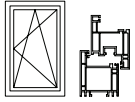
## System Groups / V.H.H. Premium Vertical & Horizontal Tilt&Turn systems (15 and 7,5 mm Backset Espagnolette) Система групп / Вертикально & Горизонтально Поворотно-откидные системы (дорнмасс 15 и 7,5 мм)

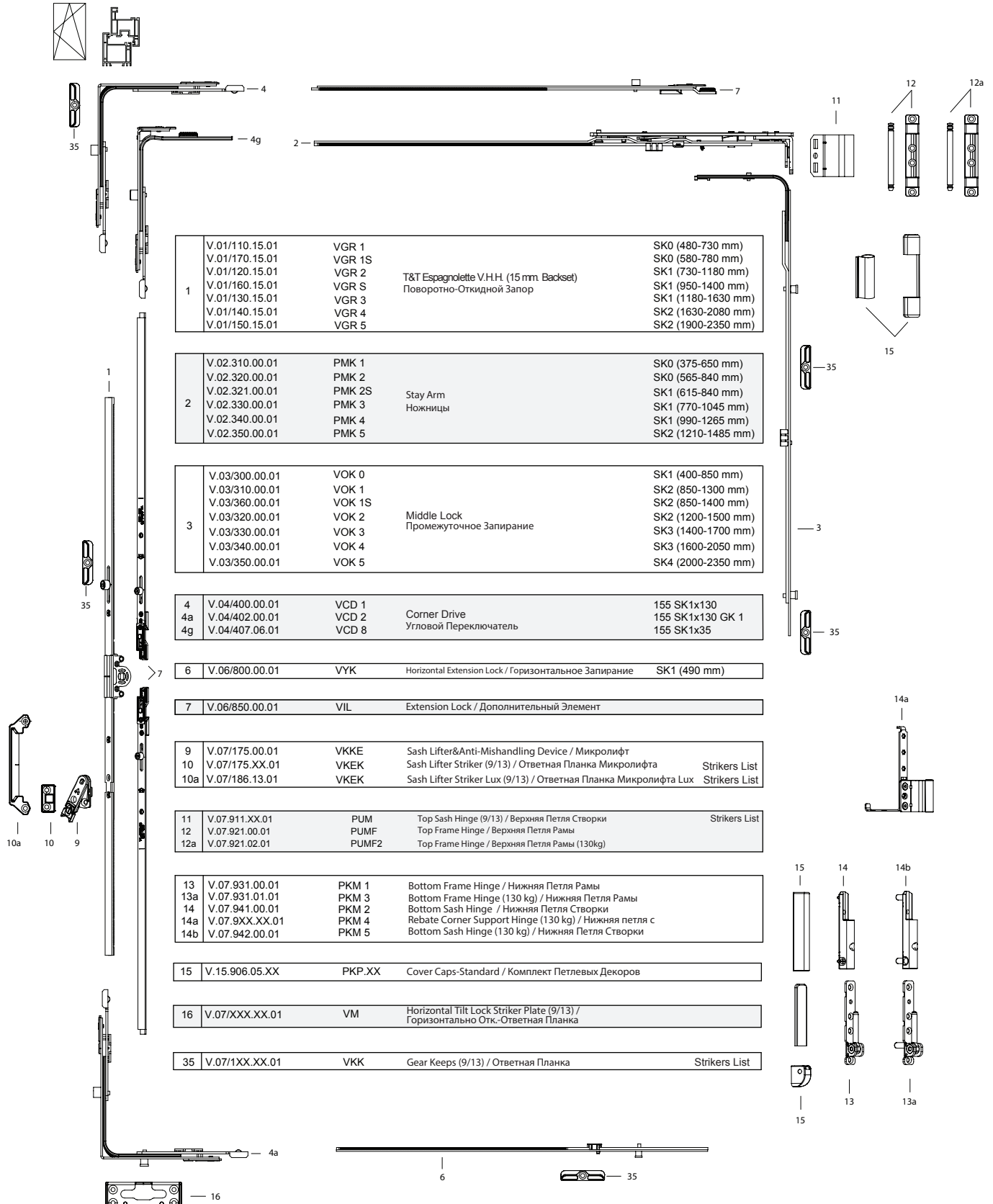
1	V.01/110.15.01	VGR 1	T&T Espagnolette V.H.H. (15 mm. Backset) Поворотно-Откидной Запор	SK0 (480-730 mm)
	V.01/170.15.01	VGR 1S		SK0 (580-780 mm)
	V.01/120.15.01	VGR 2		SK1 (730-1180 mm)
	V.01/160.15.01	VGR S		SK1 (950-1400 mm)
	V.01/130.15.01	VGR 3		SK1 (1180-1630 mm)
	V.01/140.15.01	VGR 4		SK2 (1630-2080 mm)
V.01/150.15.01	VGR 5	SK2 (1900-2350 mm)		
1a	V.01/110.75.01	VIG 1	T&T Espagnolette V.H.H. (7.5 mm. Backset) Поворотно-Откидной Запор	SK0 (480-730 mm)
	V.01/120.75.01	VIG 2		SK1 (730-1180 mm)
	V.01/160.75.01	VIG S		SK1 (950-1400 mm)
	V.01/130.75.01	VIG 3		SK1 (1180-1630 mm)
	V.01/140.75.01	VIG 4		SK2 (1630-2080 mm)
	V.01/150.75.01	VIG 5		SK2 (1900-2350 mm)
2	V.02.310.00.01	PMK 1	Stay Arm Ножницы	SK0 (375-650 mm)
	V.02.320.00.01	PMK 2		SK0 (565-840 mm)
	V.02.321.00.01	PMK 2S		SK1 (615-840 mm)
	V.02.330.00.01	PMK 3		SK1 (770-1045 mm)
	V.02.340.00.01	PMK 4		SK1 (990-1265 mm)
	V.02.350.00.01	PMK 5		SK2 (1210-1485 mm)
3	V.03/300.00.01	VOK 0	Middle Lock Промежуточное Запирание	SK1 (400-850 mm)
	V.03/310.00.01	VOK 1		SK2 (850-1300 mm)
	V.03/360.00.01	VOK 1S		SK2 (850-1400 mm)
	V.03/320.00.01	VOK 2		SK2 (1200-1500 mm)
	V.03/330.00.01	VOK 3		SK3 (1400-1700 mm)
	V.03/340.00.01	VOK 4		SK3 (1600-2050 mm)
V.03/350.00.01	VOK 5	SK4 (2000-2350 mm)		
4	V.04/400.00.01	VCD 1	Corner Drive Угловой Переключатель	155 SK1x130
4a	V.04/402.00.01	VCD 2		155 SK1x130 GK1
4d	V.04/405.00.01	VCD 5		155 SK1x130 SK1
4g	V.04/407.06.01	VCD 8		155 SK1x35
5	V.07/950.XX.01	VMV	Microventilation Striker (9/13) / Щелевое Проветривание	Strikers List
6	V.06/800.00.01	VYK	Horizontal Extension Lock / Горизонтальное Запирание	SK1 (490 mm)
7	V.06/850.00.01	VIL	Extension Lock / Дополнительный Элемент	SK0/SK1 (390-660 mm)
9	V.07/175.00.01	VKKE	Sash Lifter & Anti-Mishandling Device / Микролифт	Strikers List
10	V.07/175.XX.01	VKEK	Sash Lifter Striker (9/13) / Ответная Планка Микролифта	
10a	V.07/186.13.01	VKEK	Sash Lifter Striker Lux (9/13) / Ответная Планка Микролифта Lux	
11	V.07.911.XX.01	PUM	Top Sash Hinge (9/13) / Верхняя Петля Створки	Strikers List
12	V.07.921.00.01	PUMF	Top Frame Hinge / Верхняя Петля Рамы	
12a	V.07.921.02.01	PUMF2	Top Frame Hinge / Верхняя Петля Рамы (130kg)	
13	V.07.931.00.01	PKM 1	Bottom Frame Hinge / Нижняя Петля Рамы	Strikers List
13a	V.07.931.01.01	PKM 3	Bottom Frame Hinge (130 kg) / Нижняя Петля Рамы	
14	V.07.941.00.01	PKM 2	Bottom Sash Hinge / Нижняя Петля Створки	
14a	V.07.9XX.XX.01	PKM 4	Rebate Corner Support Hinge (130 kg) / Нижняя петля с	
14b	V.07.942.00.01	PKM 5	Bottom Sash Hinge (130 kg) / Нижняя Петля Створки	
15	V.15.906.05.XX	PKP.XX	Cover Caps-Standard / Комплект Петлевых Декоров	
16	V.07/XXX.XX.01	VM	Horizontal Tilt Lock Striker Plate (9/13) / Горизонтально Отк.-Ответная Планка	Strikers List
17	V.07/96X.XX.01	VGX	Security Striker (9/13) / Ответ.Планка Противовзломная	Strikers List
29	V.04/406.00.01	VAK	Vertical Tilt Lock 155 mm / Вертикальный Замок	
30	V.07/980.XX.01	VY	Vertical Tilt Lock Striker Plate (9/13) / Верт.Ответная Планка	Strikers List
35	V.07/1.XX.XX.01	VKK	Gear Keeps (9/13) / Ответная Планка	Strikers List



### System Groups / V.H.H. Vertical Tilt&Turn Systems

### Система групп / Вертикально Поворотно-откидные системы





## System Groups / V.H.H. Premium Horizontal Tilt&Turn System / Full Security Система групп / Горизонтально Поворотно-откидные системы / Повышенная безопасность

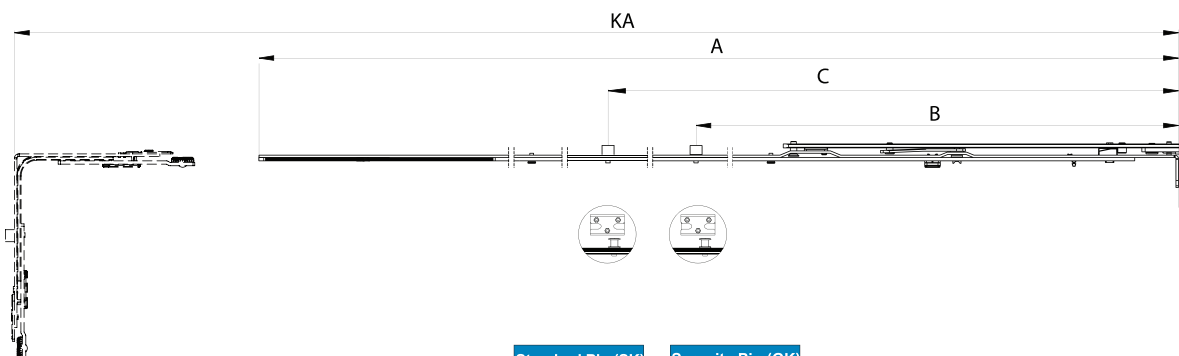
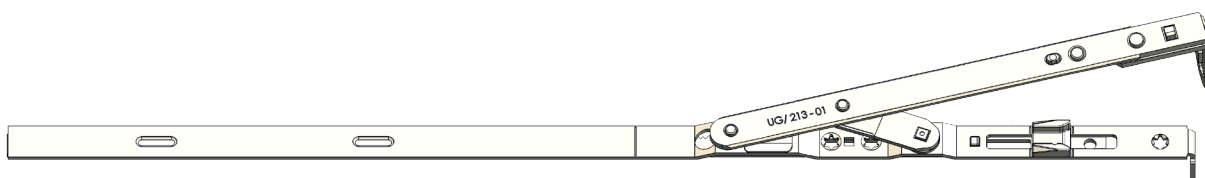
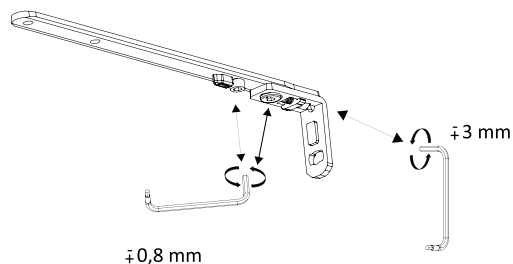
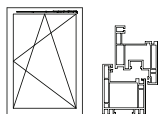
1	V.01/110.01.01	VGR 1	T&T Espagnolette V.H.H. (15 mm Backset) Поворотно-Откидной Запор	GK0 (480-730 mm)
	V.01/170.01.01	VGR 1S		GK0 (580-780 mm)
	V.01/120.01.01	VGR 2		GK1 (730-1180 mm)
	V.01/160.01.01	VGR S		GK1 (950-1400 mm)
	V.01/130.01.01	VGR 3		GK1 (1180-1630 mm)
	V.01/140.01.01	VGR 4		GK2 (1630-2080 mm)
V.01/150.01.01	VGR 5		GK2 (1900-2350 mm)	
2	V.02.310.01.01	PMK 1	Stay Arm Ножницы	GK0 (375-650 mm)
	V.02.320.01.01	PMK 2		GK0 (565-840 mm)
	V.02.321.01.01	PMK 2S		GK1 (615-840 mm)
	V.02.330.01.01	PMK 3		GK1 (770-1045 mm)
	V.02.340.01.01	PMK 4		GK1 (990-1265 mm)
	V.02.350.01.01	PMK 5		GK2 (1210-1485 mm)
3	V.03/300.00.01	VOK 0	Middle Lock Промежуточное Запирание	GK1 (400-850 mm)
	V.03/310.00.01	VOK 1		GK2 (850-1300 mm)
	V.03/360.00.01	VOK 1S		GK2 (850-1400 mm)
	V.03/320.00.01	VOK 2		GK2 (1200-1500 mm)
	V.03/330.00.01	VOK 3		GK3 (1400-1700 mm)
	V.03/340.00.01	VOK 4		GK3 (1600-2050 mm)
	V.03/350.00.01	VOK 5		GK4 (2000-2350 mm)
4e	V.04/406.06.01	VCD 6	Corner Drive Угловой Переключатель	155 GK1x130 GK 1
6	V.06/800.00.01	VYK	Horizontal Extension Lock / Горизонтальное Запирание	GK1 (490 mm)
9	V.07/175.00.01	VKKE	Sash Lifter&Anti-Mishandling Device / Микролифт	Strikers List
10	V.07/175.XX.01	VKEK	Sash Lifter Striker (9/13) / Ответная Планка Микролифта	
10a	V.07/186.13.01	VKEK	Sash Lifter Striker Lux (9/13) / Ответная Планка Микролифта Lux	
9	V.07/175.00.01	VKKE	Sash Lifter&Anti-Mishandling Device / Микролифт	Strikers List
10	V.07/175.XX.01	VKEK	Sash Lifter Striker (9/13) / Ответная Планка Микролифта	
10a	V.07/186.13.01	VKEK	Sash Lifter Striker Lux (9/13) / Ответная Планка Микролифта Lux	
11	V.07.911.XX.01	PUM	Top Sash Hinge (9/13) / Верхняя Петля Створки	Strikers List
12	V.07.921.00.01	PUMF	Top Frame Hinge / Верхняя Петля Рамы	
12a	V.07.921.02.01	PUMF2	Top Frame Hinge / Верхняя Петля Рамы (130kg)	
13	V.07.931.00.01	PKM 1	Bottom Frame Hinge / Нижняя Петля Рамы	Strikers List
13a	V.07.931.01.01	PKM 3	Bottom Frame Hinge (130 kg) / Нижняя Петля Рамы	
14	V.07.941.00.01	PKM 2	Bottom Sash Hinge / Нижняя Петля Створки	
14a	V.07.9XX.XX.01	PKM 4	Rebate Corner Support Hinge (130 kg) / Нижняя петля с	
14b	V.07.942.00.01	PKM 5	Bottom Sash Hinge (130 kg) / Нижняя Петля Створки	
15	V.15.906.05.XX	PKP.XX	Cover Caps-Standard / Комплект Петлевых Декоров	
16	V.07/XXX.XX.01	VM	Horizontal Tilt Lock Striker Plate (9/13) / Горизонтально Отк.-Ответная Планка	
17	V.07/96X.XX.01	VGX..	Security Striker (9/13) / Ответ.Планка Противовзломная	Strikers List

## System Groups / V.H.H. Horizontal Tilt Before Turn / Standard Security

## Система групп / Горизонтально поворотно-Откидывание перед поворотом / Стандартная безопасность

1	V.01/110.15.01	VGR 1	T&T Espagnolette V.H.H. (15 mm. Backset) Поворотно-Откидной Запор	SK0 (480-730 mm)
	V.01/170.15.01	VGR 1S		SK0 (580-780 mm)
	V.01/120.15.01	VGR 2		SK1 (730-1180 mm)
	V.01/160.15.01	VGR S		SK1 (950-1400 mm)
	V.01/130.15.01	VGR 3		SK1 (1180-1630 mm)
	V.01/140.15.01	VGR 4		SK2 (1630-2080 mm)
V.01/150.15.01	VGR 5	SK2 (1900-2350 mm)		
2	V.03.410.00.01	PMKTB-1	Stay Arm / Tilt Before Turn Ножницы / Откидывание перед поворотом	SK0 (375-650 mm)
	V.03.420.00.01	PMKTB-2		SK0 (565-840 mm)
	V.03.421.00.01	PMKTB-2S		SK1 (615-840 mm)
	V.03.430.00.01	PMKTB-3		SK1 (770-1045 mm)
	V.03.440.00.01	PMKTB-4		SK1 (990-1265 mm)
V.03.450.00.01	PMKTB-5	SK2 (1210-1485 mm)		
3	V.03/300.00.01	VOK 0	Middle Lock Промежуточное Запирание	SK1 (400-850 mm)
	V.03/310.00.01	VOK 1		SK2 (850-1300 mm)
	V.03/360.00.01	VOK 1S		SK2 (850-1400 mm)
	V.03/320.00.01	VOK 2		SK2 (1200-1500 mm)
	V.03/330.00.01	VOK 3		SK3 (1400-1700 mm)
	V.03/340.00.01	VOK 4		SK3 (1600-2050 mm)
	V.03/350.00.01	VOK 5		SK4 (2000-2350 mm)
4	V.04/400.00.01	VCD 1	Corner Drive Угловой Переключатель	155 SK1x130
4a	V.04/402.00.01	VCD 2		155 SK1x130 GK 1
4g	V.04/407.06.01	VCD 8		155 SK1x35
6	V.06/800.00.01	VYK	Horizontal Extension Lock / Горизонтальное Запирание	SK1 (490 mm)
7	V.06/850.00.01	VIL	Extension Lock / Дополнительный Элемент	
9	V.07/175.00.01	VKKE	Sash Lifter&Anti-Mishandling Device / Микролифт	Strikers List
10	V.07/175.XX.01	VKEK	Sash Lifter Striker (9/13) / Ответная Планка Микролифта	
10a	V.07/186.13.01	VKEK	Sash Lifter Striker Lux (9/13) / Ответная Планка Микролифта Lux	
11	V.07.911.XX.01	PUM	Top Sash Hinge (9/13) / Верхняя Петля Створки	Strikers List
12	V.07.921.00.01	PUMF	Top Frame Hinge / Верхняя Петля Рамы	
12a	V.07.921.02.01	PUMF2	Top Frame Hinge / Верхняя Петля Рамы (130kg)	
13	V.07.931.00.01	PKM 1	Bottom Frame Hinge / Нижняя Петля Рамы	Strikers List
13a	V.07.931.01.01	PKM 3	Bottom Frame Hinge (130 kg) / Нижняя Петля Рамы	
14	V.07.941.00.01	PKM 2	Bottom Sash Hinge / Нижняя Петля Створки	
14a	V.07.9XX.XX.01	PKM 4	Rebate Corner Support Hinge (130 kg) / Нижняя петля с	
14b	V.07.942.00.01	PKM 5	Bottom Sash Hinge (130 kg) / Нижняя Петля Створки	
15	V.15.906.05.XX	PKP.XX	Cover Caps-Standard / Комплект Петлевых Декоров	
16a	V.11.2035.13.01R	VM2035-13	Horizontal Tilt Lock Striker Plate (9/13) Горизонтально Отк.-Ответная Планка	Strikers List
16b	V.11.2035.13.01L	VM2035-13		
	V.11.2035.09.01L	VM2035-09		
	V.11.2035.09.01R	VM2035-09		
35	V.07/1XX.XX.01	VKK	Gear Keeps (9/13) / Ответная Планка	Strikers List

## Stay Arm Ножницы



Standard Pin (SK)  
Стандартный

± 0,8mm



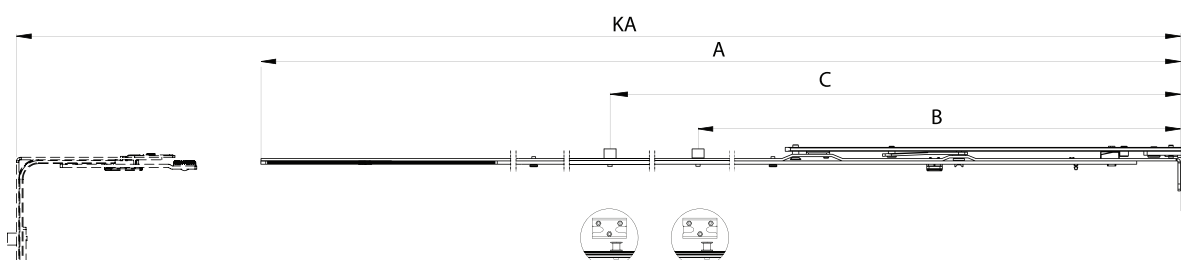
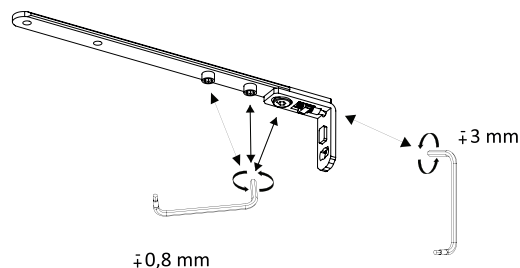
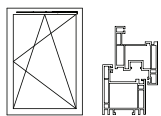
Security Pin (GK)  
Противовзлом

± 0,8mm



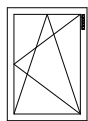
(Standard Pin)	(Security Pin)	(Short Code)	KA Usage Length	A	B	C			
V.02.310.00.01	V.02.310.01.01	PMK-1	375-650	490	-	-	4	0	10
V.02.320.00.01	V.02.320.01.01	PMK-2	565-840	709	640	-	6	0	10
V.02.321.00.01	V.02.321.01.01	PMK-2S	615-840	709	420	-	6	1	10
V.02.330.00.01	V.02.330.01.01	PMK-3	770-1045	914	470	-	8	1	10
V.02.340.00.01	V.02.340.01.01	PMK-4	990-1265	1134	680	-	9	1	10
V.02.350.00.01	V.02.350.01.01	PMK-5	1210-1485	1354	640	900	10	2	10

## Stay Arm / Tilt Before Turn Ножницы / Откидывание перед поворотом

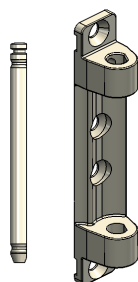


(Standard Pin)	(Security Pin)	(Short Code)	KA Usage Length	A	B	C			
V.02.510.00.01	V.02.510.01.01	PMKTB-1	375-650	490	-	-	4	0	10
V.02.520.00.01	V.02.520.01.01	PMKTB-2	565-840	709	640	-	6	0	10
V.02.521.00.01	V.02.521.01.01	PMKTB-2S	615-840	709	420	-	6	1	10
V.02.530.00.01	V.02.530.01.01	PMKTB-3	770-1045	914	470	-	8	1	10
V.02.540.00.01	V.02.540.01.01	PMKTB-4	990-1265	1134	680	-	9	1	10
V.02.550.00.01	V.02.550.01.01	PMKTB-5	1210-1485	1354	640	900	10	2	10

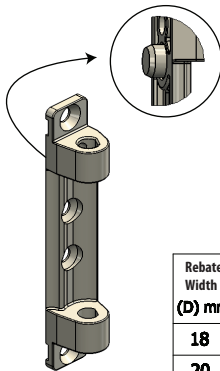
Top Frame Hinge  
Верхняя Петля Рамы



Rebate Width (D) mm	X mm
18	
20	20
22	22

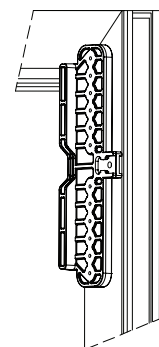
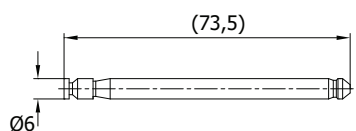
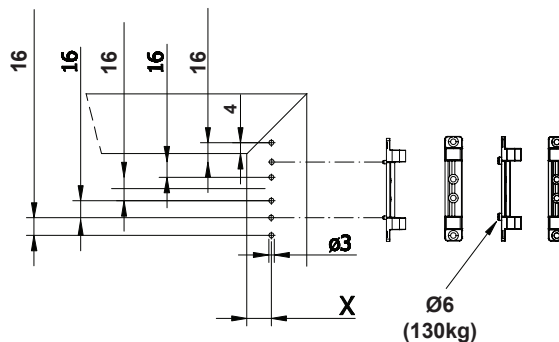


PUMF



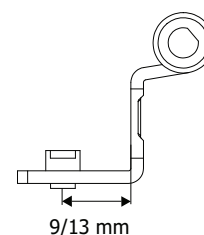
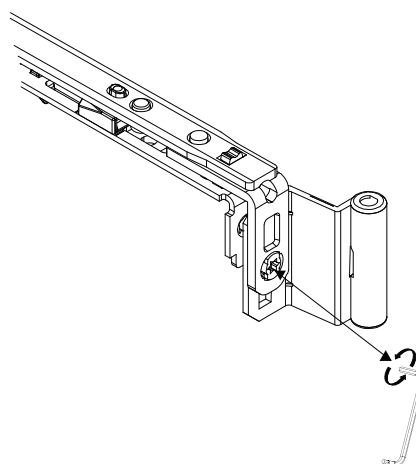
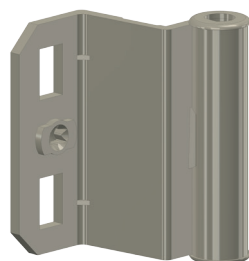
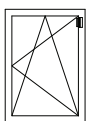
PUMF2

Rebate Width (D) mm	X mm
18	
20	20
22	22



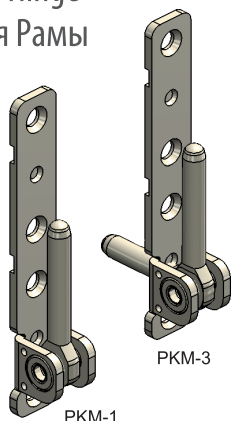
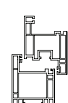
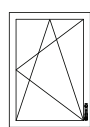
		(Short Code) <b>Product</b>		
V.07.921.00.01	PUMF	Top Frame Hinge	4	300
V.07.921.02.01	PUMF2	Top Frame Hinge 130 Kg	4	300

Top Sash Hinge  
Верхняя Петля Створки



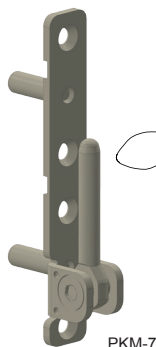
		(Short Code) <b>Product</b>		
V.07.911.09.01	PUM-9	Top Sash Hinge (9 mm axis)	-	300
V.07.911.10.01	PUM-10	Top Sash Hinge (10 mm axis)	-	300
V.07.911.13.01	PUM-13	Top Sash Hinge (13 mm axis)	-	300
V.07.911.14.01	PUM-14	Top Sash Hinge (14 mm axis)	-	300
V.07.911.16.01	PUM-16	Top Sash Hinge (16 mm axis)	-	300

## Bottom Frame Hinge Нижняя Петля Рамы

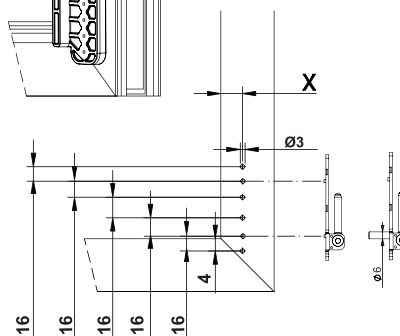
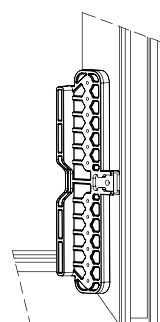
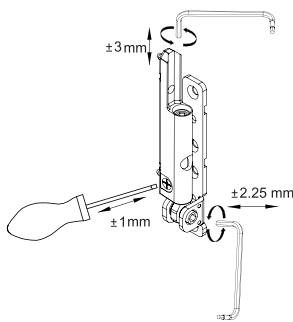


PKM-1

PKM-3

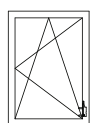


PKM-7

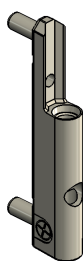


		(Short Code)	Product		
V.07.931.00.01	PKM-1	Premium Bottom Frame Hinge	4	300	
V.07.931.01.01	PKM-3	Premium Bottom Frame Hinge 130 Kg	4	300	
V.07.931.02.01	PKM-7	Premium Bottom Frame Hinge 130 + Kg	4	300	

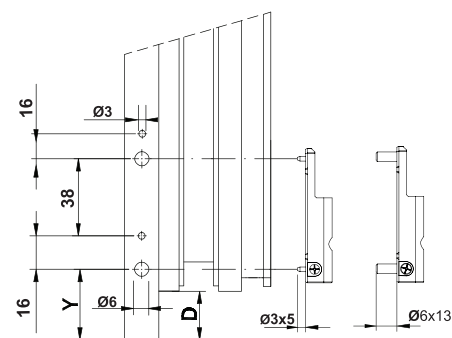
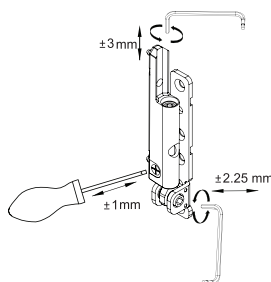
## Bottom Sash Hinge Нижняя Петля Створки



PKM-2



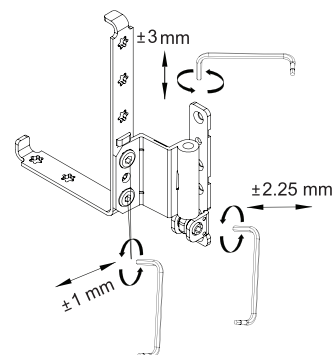
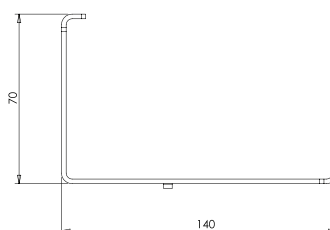
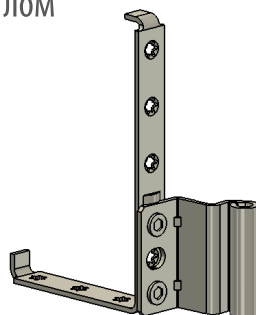
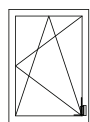
PKM-5



		(Short Code)	Product		
V.07.941.00.01	PKM-2	Premium Bottom Sash Hinge	2	300	
V.07.942.00.01	PKM-5	Premium Bottom Sash Hinge 130 kg	2	300	

Rebate Width (D) mm	X mm	Y mm
18		33,5
20	20	35,5
22	22	37,5

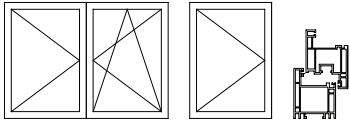
## Rebate Corner Support Hinge (R/L-9/13-130 Kg) Нижняя петля с углом



		(Short Code)	Product		
V.07.951.09.01	PKM-4 (09/R)	9 mm axis / Right	7	50	
V.07.961.09.01	PKM-4 (09/L)	9 mm axis / Left	7	50	
V.07.951.13.01	PKM-4 (13/R)	13 mm axis / Right	7	50	
V.07.961.13.01	PKM-4 (13/L)	13 mm axis / Left	7	50	

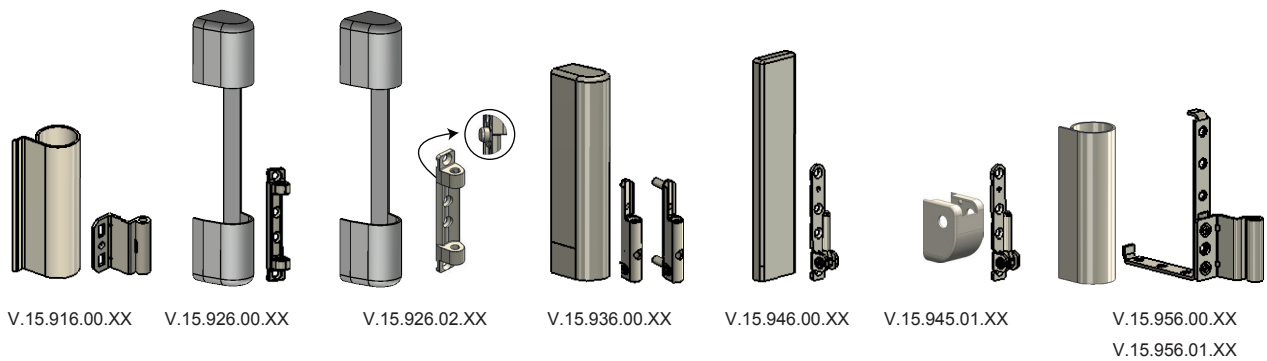


## Cover Caps for Tilt&Turn Hinge Group Комплект Петлевых Декоров

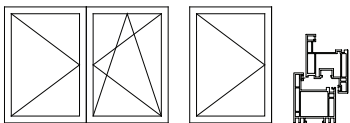


Used with используется с		
V.15.916.00.XX	PUM	100
V.15.926.00.XX	PUM-F	100
V.15.926.02.XX	PUMF-2	100
V.15.936.00.XX	PKM-2	100
V.15.946.00.XX	PKM-1	100
V.15.946.01.XX	PKM-1	100
V.15.956.00.XX	PKM-4R	50
V.15.956.01.XX	PKM-4L	50

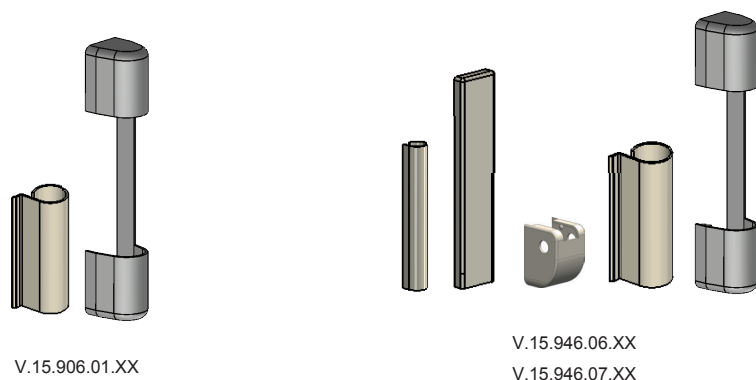
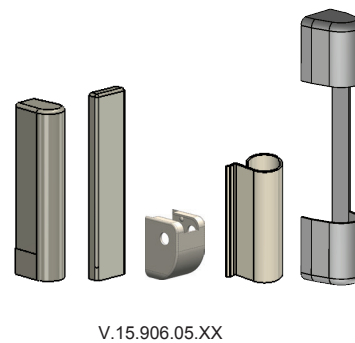
(XX)	COLOURS/ ВЫБОР ЦВЕТОВ
03	White - RAL 9016 / белый
04	Dark Brown - RAL 8017 / темно-коричневый
05	Light Brown - RAL 8003 / светло-коричневый
06	Beige - RAL 9001 / бежевый
07	Grey - RAL 9006 / серый
08	Grey Brown - RAL 8019 / серо-коричневый
09	Black Brown - RAL 8022 / коричневый
10	Silver / серебро
11	Gold / золото
12	Bronze / бронза
13	Champagne / шампанья
14	Titan / титан



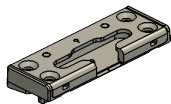
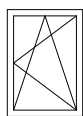
## Cover Caps Set for Tilt&Turn Hinge Group Комплект Петлевых Декоров



Product		
V.15.906.05.XX	PKP(XX)	100
V.15.906.01.XX	PKPM(XX)	100
V.15.946.06.XX	PKPA(XX)R	100
V.15.946.07.XX	PKPA(XX)L	100



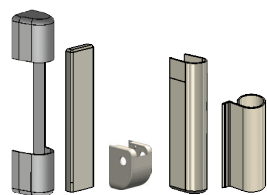
## Premium Tilt&Turn System Standard Set (Horizontal) Стандартный Комплект



VM..

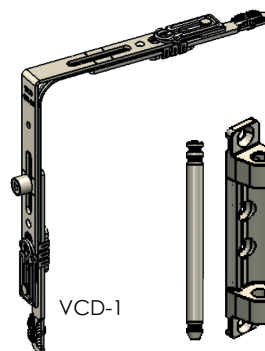


PUM..

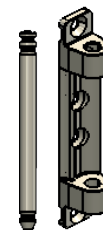


PKP

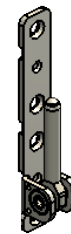
(Short Code)		
V.07.2035.XX	VM	240
V.07.911.XX	PUM	300
V.15.906.05.XX	PKP	100



VCD-1



PUMF



PKM-1



PKM-2

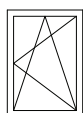


VCD-2

(Short Code)		
V.04.420.10.XX	PST1	20

\* PST1 : VCD-1+VCD-2+PUMF+PKM-1+PKM-2

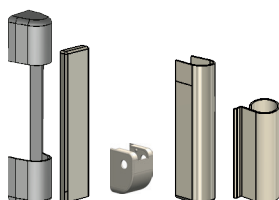
## Tilt&Turn System Standard Set (Vertical) Элементы Стандартного Комплекта



PUM..

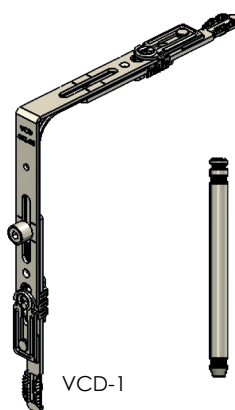


VY..

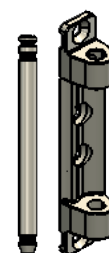


PKP

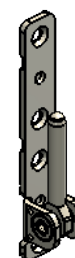
(Short Code)		
V.07.980.XX	VY	400
V.07.911.XX	PUM	300
V.15.906.05.XX	PKP	100



VCD-1



PUMF



PKM-1



PKM-2

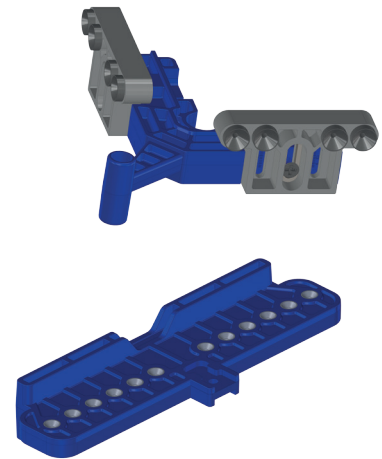
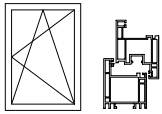


VAK

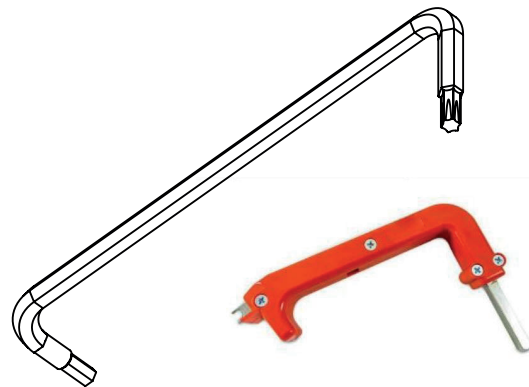
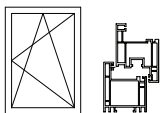
(Short Code)		
V.04.420.11.XX	PST2	20

\* PST2 : VCD-1+VAK+PUMF+PKM-1+PKM-2

Drilling Jigs for Tilt&Turn System Hinges  
Шаблон нижней петли створки / верхней петли рамы

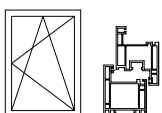


	(Short Code)	
V.99.070.00.00	PDT	10

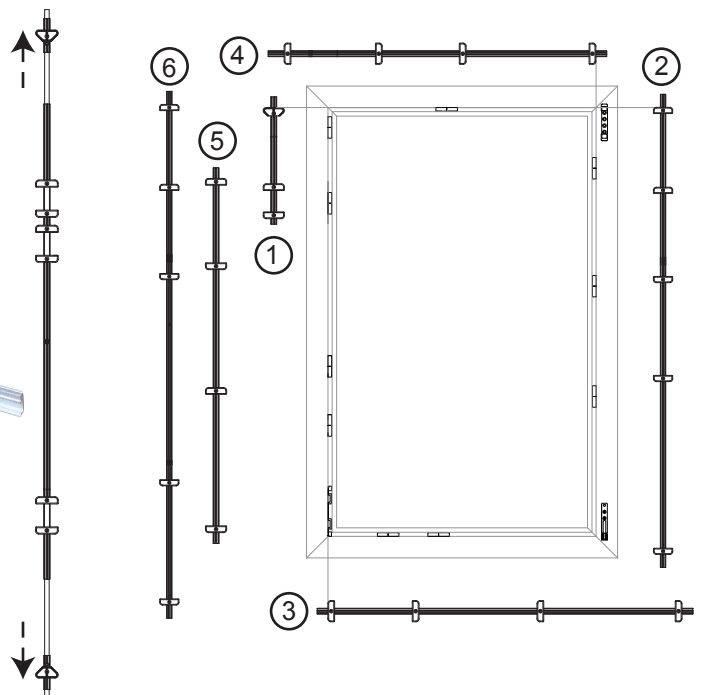


	(Short Code)	
V.99.065.00.00	VALY	10
V.99.035.00.00	MAP	10

Drilling Templates for Tilt&Turn Strikers  
Шаблон для ответных планок



V.T76040.00.00



	Used for используемый для	
V.T76030.01.00	VCD..	1
V.T76030.02.00	VOK-1 / VOK-1S / VOK-2	1
V.T76030.03.00	VOK-3 / VOK-4	1
V.T76030.04.00	PMK-3 / PMK-5	1
V.T76030.05.00	VGR-2 / VGR-S / VGR-3	1
V.T76030.06.00	VGR-4 / VGR-5	1
V.T76040.00.00	VCD../ VOK../ VMK../ VGR..	1

V.76040.00.00

# French Casement (Double Sash) Systems Двустворчатые системы

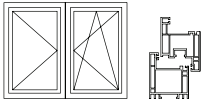
- 03.01.00** System Groups  
Система групп
- 03.02.00** Lever Arm Gear  
Штульповый Запор
- 03.03.00** French Casement Hinges  
Петли
- 03.04.00** Shoot Bolts  
Шпингалет
- 03.05.00** French Casement Standard Sets  
Стандартный Комплект



# French Casement (Double Sash) Systems Двустворчатые системы



System Groups / V.H.H. French Casement System / Compatible with Vertical & Horizontal T&T Systems  
Система групп / Двустворчатые системы / Совместим с Верт. & П&О системой



3	V.03/300.00.01	VOK0	SK1 (400-850 mm)
	V.03/310.00.01	VOK1	SK2 (850-1300 mm)
	V.03/360.00.01	VOK1S	SK2 (850-1400 mm)
	V.03/320.00.01	VOK2	SK2 (1200-1500 mm)
	V.03/330.00.01	VOK3	SK2 (1400-1700 mm)
	V.03/340.00.01	VOK4	SK3 (1600-2050 mm)
	V.03/350.00.01	VOK5	SK4 (2000-2350 mm)
4b	V.04/403.00.01	VCD3	Corner Drive 155 x 130 SK1
4c	V.04/404.00.01	VCD4	Угловой Переключатель 155 x 130 SK1
6	V.06/800.00.01	VYK	Horizontal Extension Lock SK1 (490 mm)
11	V.07/910.XX.01	VUM..	Top Sash Hinge (9/13) Верхняя Петля Створки Strikers List
12	V.07/920.00.01	VUMF	Top Frame Hinge Верхняя Петля Рамы
12a	V.07/920.01.01	VUMFS	Top Frame Hinge Template Верхняя Петля Рамы
12b	V.07/920.03.01	VUMF2	Top Frame Hinge Верхняя Петля Рамы (130kg)
13	V.07/930.00.01	VKM1	Bottom Frame Hinge Нижняя Петля Рамы
13a	V.07/930.01.01	VKM3	Bottom Frame Hinge (130 kg) Нижняя Петля Рамы
14	V.07/940.00.01	VKM2	Bottom Sash Hinge (130 kg) Нижняя Петля Створки
14a	V.07/9XX.XX.01	VKM4.XX	Rebate Corner Support Hinge (R/L - 9/13) - (130 kg) Нижняя петля с углом
18	V.07/900.00.01	VAM	Adjustable Sash Hinge Регулируемая Верхняя Петля Створки
19	V.07/560.03.01	VSBU	Shoot Bolt (top) 190 mm Шлинглет (Верхний)
19a	V.07/560.04.01	VSBA	Shoot Bolt (bottom) 190 mm Шлинглет (Нижний)
19b	V.07/560.02.01	VSBB	Shoot Bolt Integrated With Tilt Lock Striker (bottom) 190 mm Шлинглет совмещ. с отв.планкой (Нижний)
19c	V.07/500.00.01	VLSU	Gear Shoot Bolt (top) 155 mm Штульбовый Шлинглет (Верхний)
19d	V.07/500.01.01	VLSB	Gear Shoot Bolt (bottom) 155 mm Штульбовый Шлинглет (Нижний)
19e	V.07/500.02.01	VLS2	Gear Shoot Bolt Integrated With Tilt Lock Striker (bottom) 155 mm Штульбовый Шлинглет совмещ.с отв.планкой (Нижний)
20	V.07/5720.XX.01	VSBK..	Shoot Bolt Striker (9/13) Ответная Планка Шлинглета Strikers List
20a	V.07/5700.XX.01	VSBK2	Shoot Bolt Striker (9/13) Ответная Планка Шлинглета
21	V.07/580.00.01	VSK	Stulp Striker Ответная Планка Манжеты
21a	V.07/580.01.01	VSK2	Stulp Striker with Euro-groove Support Отв. планка для штульпа с зубчиком
21b	V.07/580.02.01	VSK3	Stulp Striker Symmetrical Отв. планка для штульпа симм.
21c	V.07/580.03.01	VSK4	Stulp Striker (Assembled on Lever Arm Gear) Отв. планка для штульпового запора
22	V.05/575.00.01	VOBML	Middle Hinge Rod Лама Среднего Прижима
22a	V.05/580.XX.01	VABM..	Adjustable Middle Hinge (9/13) Регулируемая средняя петля
23	V.05/510.00.01	VGRD1	(550-730 mm)
	V.05/520.00.01	VGRD2	(730-1180 mm)
	V.05/560.00.01	VGRDS	(950-1400 mm)
	V.05/530.00.01	VGRD3	(1180-1630 mm)
	V.05/540.00.01	VGRD4	(1630-2080 mm)
	V.05/550.00.01	VGRD5	(1900-2350 mm)
32	V.07/580.00.01	VGM	Center Lock Среднеприжимная Петля
33	V.07/580.XX.01	VGMK..	Center Lock Striker (9/13) Ответная Планка Среднеприжимной Петли Strikers List
35	V.07/1XX.XX.01	VKK.XX	Gear Keeps (9/13) Ответная Планка Strikers List
36	V.186.310.01	VBM-1	Center Hinge Средний Прижим Накладной Strikers List

# French Casement (Double Sash) Systems Двустворчатые системы



## System Groups / V.H.H. French Casement System & Vertical T&T System Система групп / Двустворчатые системы Вертикально П&О система

Technical drawings showing various hardware components (11, 12, 13, 14, 15, 19, 20, 21, 22, 23, 33, 35) and their assembly on a window frame. The drawings include side views, top views, and detailed views of the hardware.

1	V.01/110.15.01 VGR1 V.01/170.15.01 VGR1S V.01/120.15.01 VGR2 V.01/160.15.01 VGRS V.01/130.15.01 VGR3 V.01/140.15.01 VGR4 V.01/150.15.01 VGR5	SK0 (480-730 mm) SK0 (580-780 mm) SK1 (730-1180 mm) SK1 (850-1400 mm) SK1 (1180-1630 mm) SK1 (1400-1700 mm) SK2 (1900-2350 mm)
2	V.02/210.00.01 VMK1 V.02/220.00.01 VMK2 V.02/221.00.01 VMK2S V.02/230.00.01 VMK3 V.02/240.00.01 VMK4 V.02/250.00.01 VMK5	SK0 (675-650 mm) SK0 (655-640 mm) SK1 (615-640 mm) SK1 (770-1045 mm) SK1 (900-1265 mm) SK2 (1210-1485 mm)
3	V.03/300.00.01 VOK0 V.03/310.00.01 VOK1 V.03/320.00.01 VOK2 V.03/330.00.01 VOK3 V.03/340.00.01 VOK4 V.03/350.00.01 VOK5	SK1 (400-650 mm) SK2 (650-1300 mm) SK2 (1200-1500 mm) SK3 (1400-1700 mm) SK3 (1600-2050 mm) SK4 (2000-2350 mm)
4	V.04/400.00.01 VCD1	155 SK1 x 130
9	V.07/175.00.01 VKKE	Sash Lifter & Anti-Mishandling Device Микролифт
11	V.07/910.XX.01 VUMJ.	Strikers List
12	V.07/920.00.01 VUMF	Верхняя Петля Створки Top Frame Hinge Верхняя Петля Рамы
13	V.07/930.00.01 VKM1	Bottom Frame Hinge Нижняя Петля Рамы
13a	V.07/930.01.01 VKM3	Bottom Frame Hinge (130 kg) Нижняя Петля Рамы
14	V.07/940.00.01 VKM2	Bottom Sash Hinge Нижняя Петля Створки
15	V.15/905.05.XX VPKXX	Cover Caps-Standard Комплект Петлевых Держав
29	V.04/406.00.01 VAK	Vertical Tilt Lock 155 mm Вертикальный Замок
35	V.07/1XX.XX.01 VKKXX	Gear Keeps (9/13) Ответная Планка

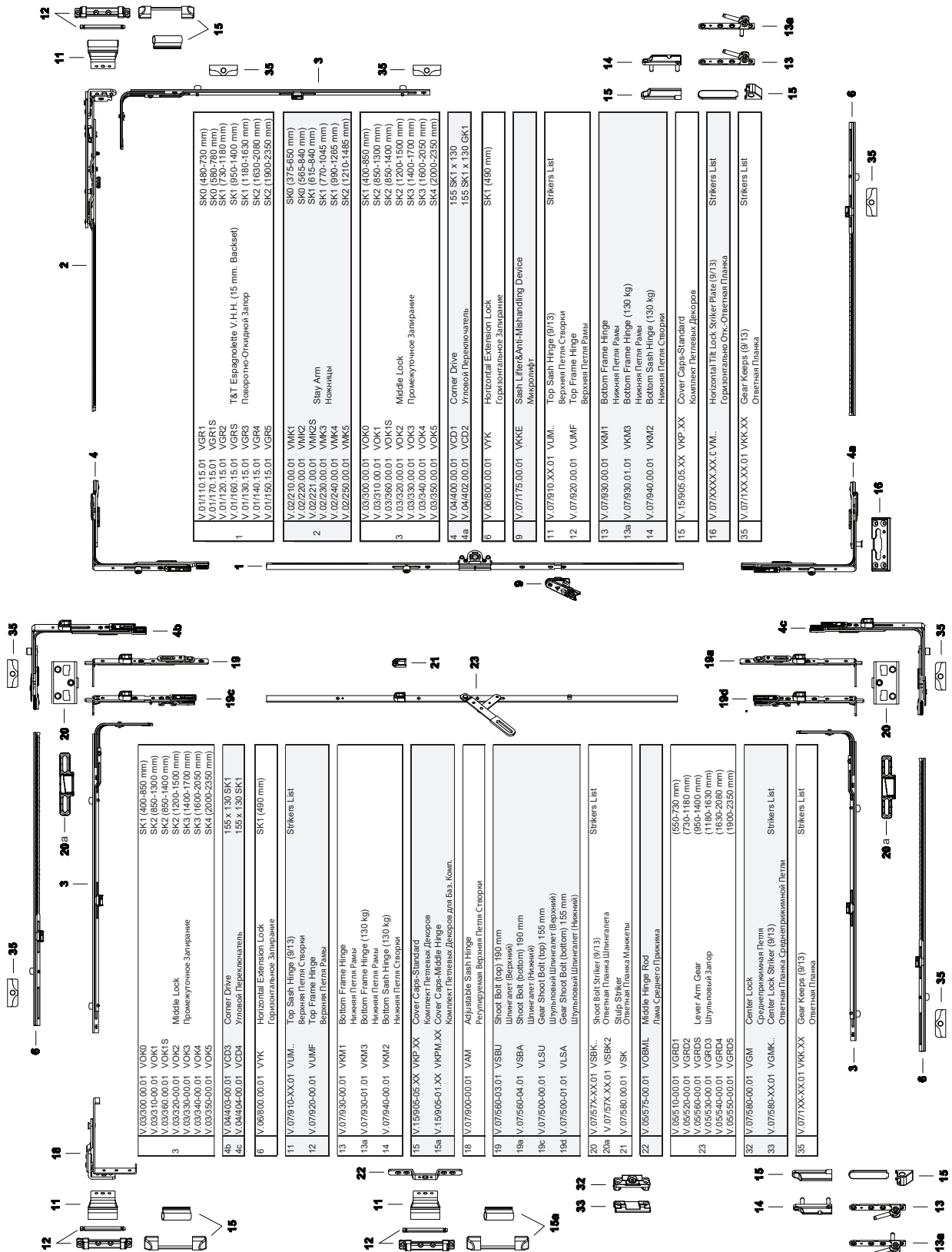
  

3	V.03/300.00.01 VOK0 V.03/310.00.01 VOK1 V.03/360.00.01 VOK1S V.03/320.00.01 VOK2 V.03/330.00.01 VOK3 V.03/340.00.01 VOK4 V.03/350.00.01 VOK5	SK1 (400-650 mm) SK2 (650-1300 mm) SK2 (850-1400 mm) SK2 (1200-1500 mm) SK3 (1400-1700 mm) SK3 (1600-2050 mm) SK4 (2000-2350 mm)
4b	V.04/403.00.01 VCD3	155 x 130 SK1
6	V.06/600.00.01 VUK	SK1 (480 mm)
11	V.07/910.XX.01 VUMJ.	Strikers List
12	V.07/920.00.01 VUMF	Верхняя Петля Створки Top Frame Hinge Верхняя Петля Рамы
13	V.07/930.00.01 VKM1	Bottom Frame Hinge Нижняя Петля Рамы
13a	V.07/930.01.01 VKM3	Bottom Frame Hinge (130 kg) Нижняя Петля Рамы
14	V.07/940.00.01 VKM2	Bottom Sash Hinge (130 kg) Нижняя Петля Створки
15	V.15/905.05.XX VPKXX	Cover Caps-Standard Комплект Петлевых Держав
15a	V.15/905.01.XX VKPMXX	Средняя Петля Створки Комплект Петлевых Держав для Баз. Комп.
18	V.07/900.00.01 VAM	Adjustable Sash Hinge Регулируемая Верхняя Петля Створки
19	V.07/960.03.01 VBSU	Shoot Bolt (top) 190 mm Штыль (верхний)
19b	V.07/960.02.01 VSB2	Shoot Bolt Integrated With Tilt Lock Striker (bottom) Штыль с интегрированной петлей (нижний)
19c	V.07/900.00.01 VLSU	Gear Shoot Bolt (top) 155 (Верхний) Штульковый Штыль (Верхний)
19a	V.07/900.02.01 VLS2	Gear Shoot Bolt Integrated With Tilt Lock Striker (bottom) Штыль с интегрированной петлей (нижний)
20	V.07/970.XX.01 VSBK..	Shoot Bolt Striker (9/13) Ответная Планка Штыля
20a	V.07/970.XX.01 VSBK2	Ответная Планка Штыля
21	V.07/980.00.01 VSK	Stulp Striker Ответная Планка Манжеты
22	V.05/675.00.01 VOBIML	Middle Hinge Rod Лана Среднего Прямых
23	V.05/510.00.01 VGRD1 V.05/520.00.01 VGRD2 V.05/560.00.01 VGRD3 V.05/530.00.01 VGRD4 V.05/540.00.01 VGRD5	(550-730 mm) (730-1180 mm) (850-1400 mm) (1180-1630 mm) (1630-2080 mm) (1900-2350 mm)
32	V.07/580.00.01 VGM	Center Lock Среднепрямая Петля
33	V.07/580.XX.01 VGMK.	Center Lock Striker (9/13) Ответная Планка Среднепрямой Петли
35	V.07/1XX.XX.01 VKKXX	Gear Keeps (9/13) Ответная Планка

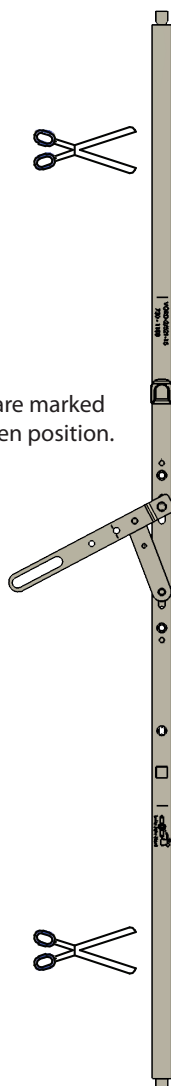
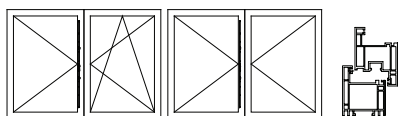
# French Casement (Double Sash) Systems Двустворчатые системы



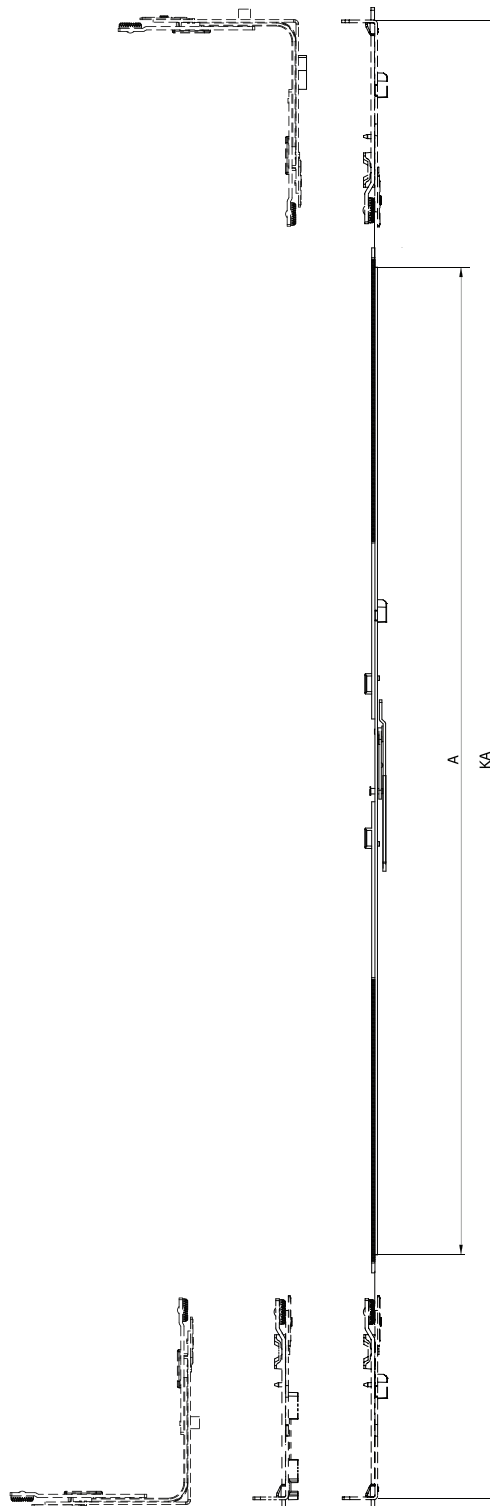
## System Groups / V.H.H. French Casement System & Horizontal T&T System Система групп / Двустворчатые системы Горизонтально П&О система



## Lever Arm Gear (Variable Handle Height) Штульповый Запор



\* Reference cutting points are marked when the lever arm is in open position.



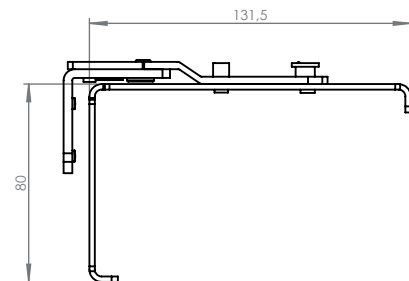
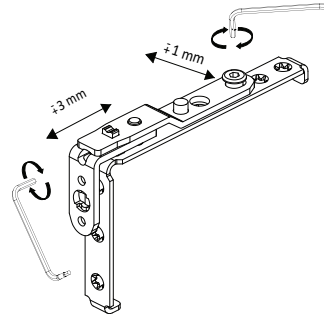
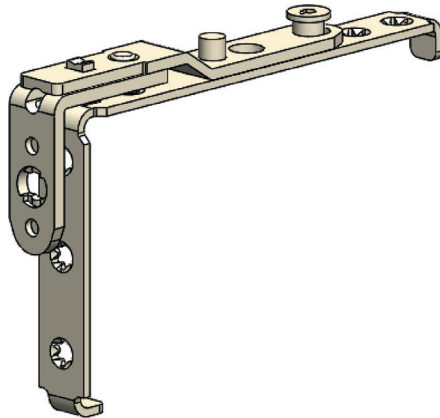
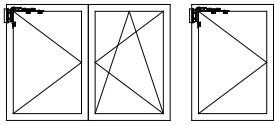
(Standard Pin) (Short Code)		KA Usage Length	A			
V.05.510.00.01	VGRD-1	550-730	420	2	0	10
V.05.520.00.01	VGRD-2	730-1180	870	2	1	10
V.05.560.00.01	VGRD-S	950-1400	1090	3	1	10
V.05.530.00.01	VGRD-3	1180-1630	1320	4	1	10
V.05.540.00.01	VGRD-4	1630-2080	1770	6	2	10
V.05.550.00.01	VGRD-5	1900-2350	2040	7	2	10



# French Casement (Double Sash) Systems Двустворчатые системы

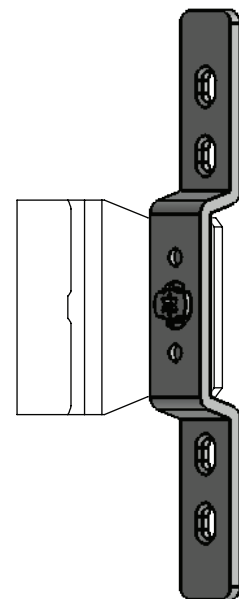
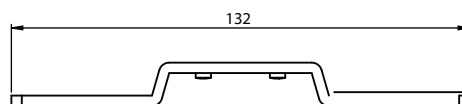
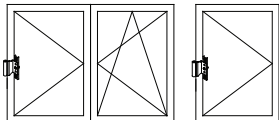


## Adjustable Sash Hinge Регулируемая Верхняя Петля Створки



	(Short Code)		
V.07.900.00.01	VAM	7	100

## Middle Hinge Rod Лама Среднего Прижима

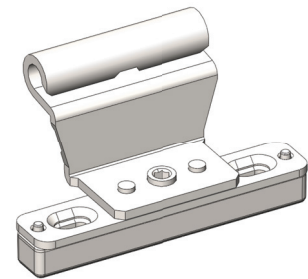
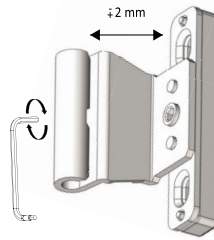
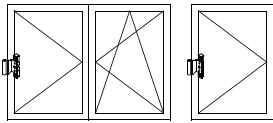


	(Short Code)		
V.05.575.00.01	VOBML	4	300

# French Casement (Double Sash) Systems Двустворчатые системы

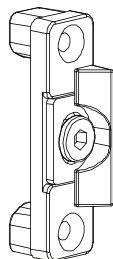
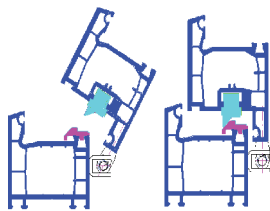
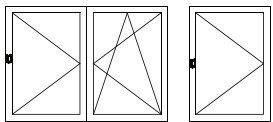


## Adjustable Middle Hinge Регулируемая средняя петля

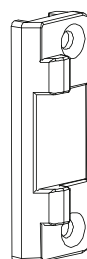


	(Short Code)	Axis		
V.05.580.09.01	VABM-9	9	2	100
V.05.580.13.01	VABM-13	13	2	100

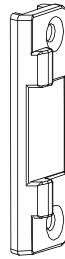
## Rebate Center Hinge Среднеприжимная Петля / Ответная Планка



VGМ



VGМ-13

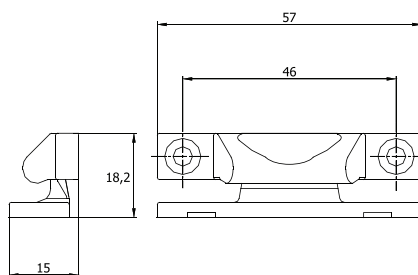
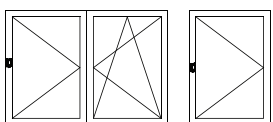


VGМK-9



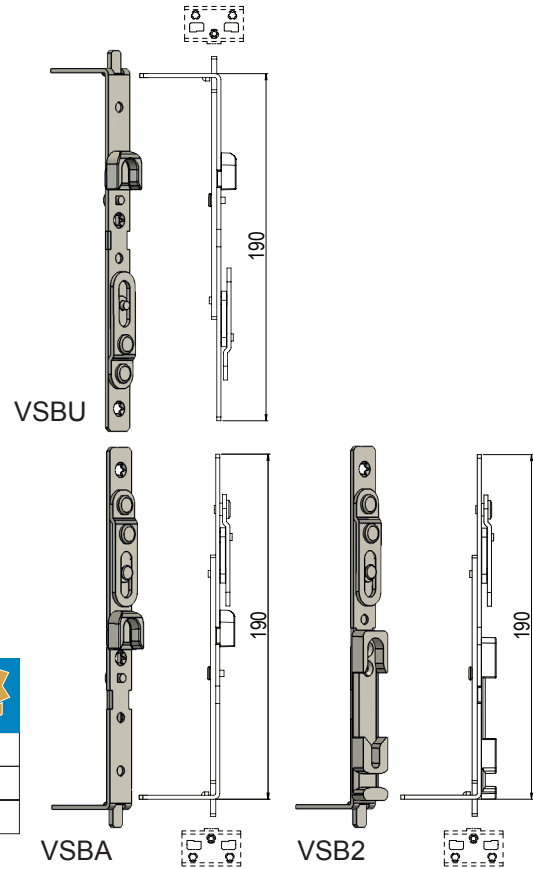
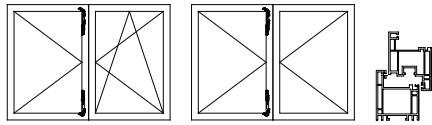
	(Short Code)	Product		
V.07.580.00.01	VGМ	Center Lock	2	600
V.07.580.09.01	VGМK-9	Center Lock Striker 9 mm axis	2	1000
V.07.580.13.01	VGМ-13	Center Lock Striker 13 mm axis	2	800

## Center Hinge Средний Прижим Накладной



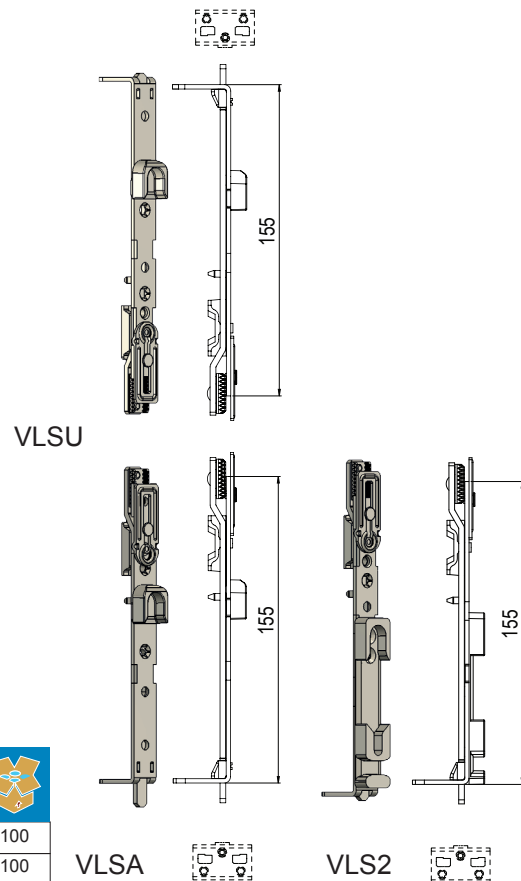
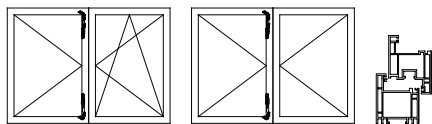
	(Short Code)		
V.186.310.01	VBM-1	4	100

## Shoot Bolts Шпингалет



(Short Code) Product					
V.07.560.03.01	VSBU	Shoot Bolt Top	3	1	100
V.07.560.04.01	VSBA	Shoot Bolt Bottom	3	1	100
V.07.560.02.01	VSB2	Shoot Bolt Integrated with Tilt Striker	3	1	100

## Gear Shoot Bolts Штупльовый Шпингалет

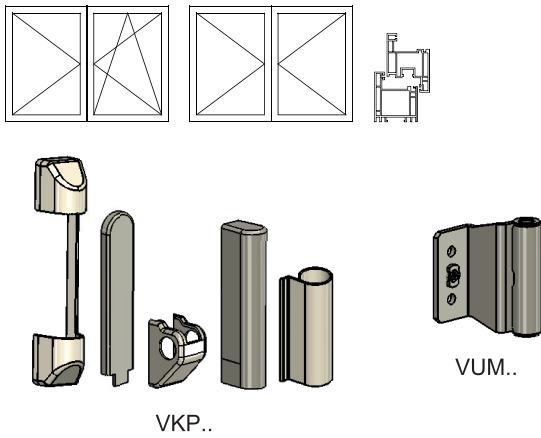


(Short Code) Product					
V.07.500.00.01	VLSU	Gear Shoot Bolt Top	4	1	100
V.07.500.01.01	VLSA	Gear Shoot Bolt Bottom	4	1	100
V.07.500.02.01	VLS2	Gear Shoot Bolt Integrated with Tilt Striker	4	1	100

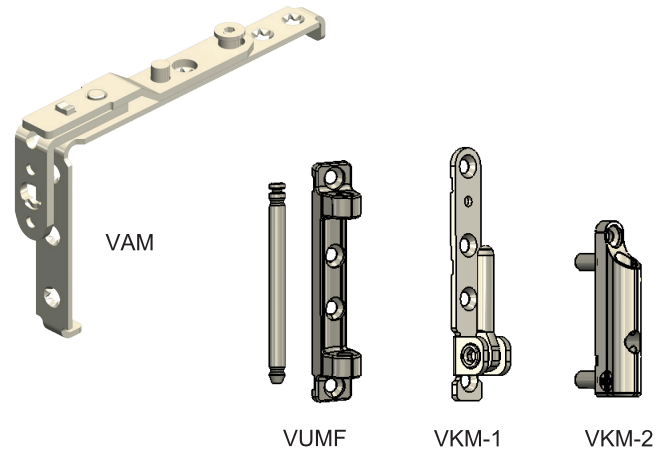
# French Casement (Double Sash) Systems Двустворчатые системы



## Symmetrical Hinge Group Standard Set Базовый Комплект



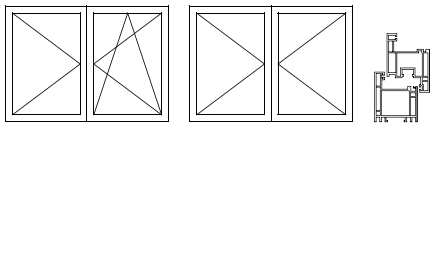
Shopping Cart Icon		(Short Code)	Box Icon
V.15.905.05.XX	VKP	100	
V.07.910.XX	VUM	300	



Shopping Cart Icon		(Short Code)	Box Icon
V.07.990.00.XX	VSG	40	

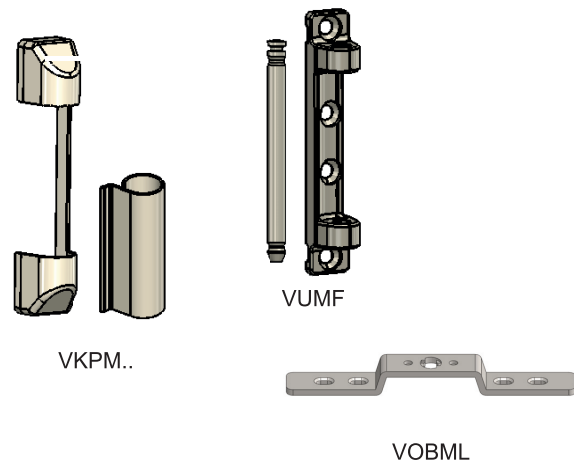
\*VSG=VAM+VUMF+VKM-1+VKM-2

## Middle Hinge Group Standard Set Комплект Среднего Прижима

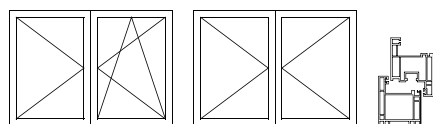


Shopping Cart Icon		(Short Code)	Box Icon
V.05.575.01.XX	VOBM	100	

\*VOBM=VOBML+VKPM+VUMF

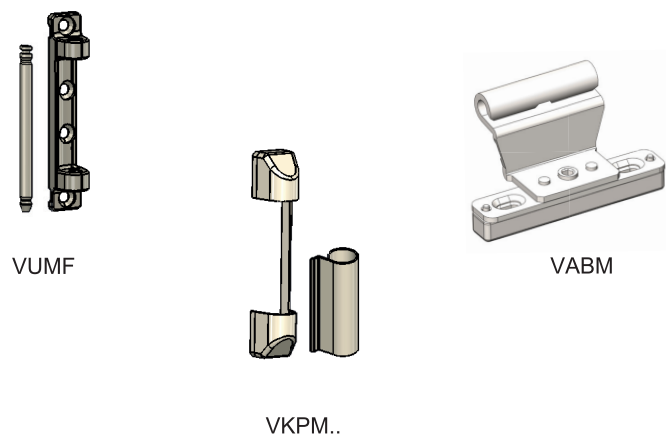


## Adjustable Middle Hinge Group



Shopping Cart Icon		(Short Code)	Box Icon
V.05.581.09.XX	VABMG-9	50	
V.05.581.13.XX	VABMG-13	50	

\*VABMG=VUMF+VABM+VKPM

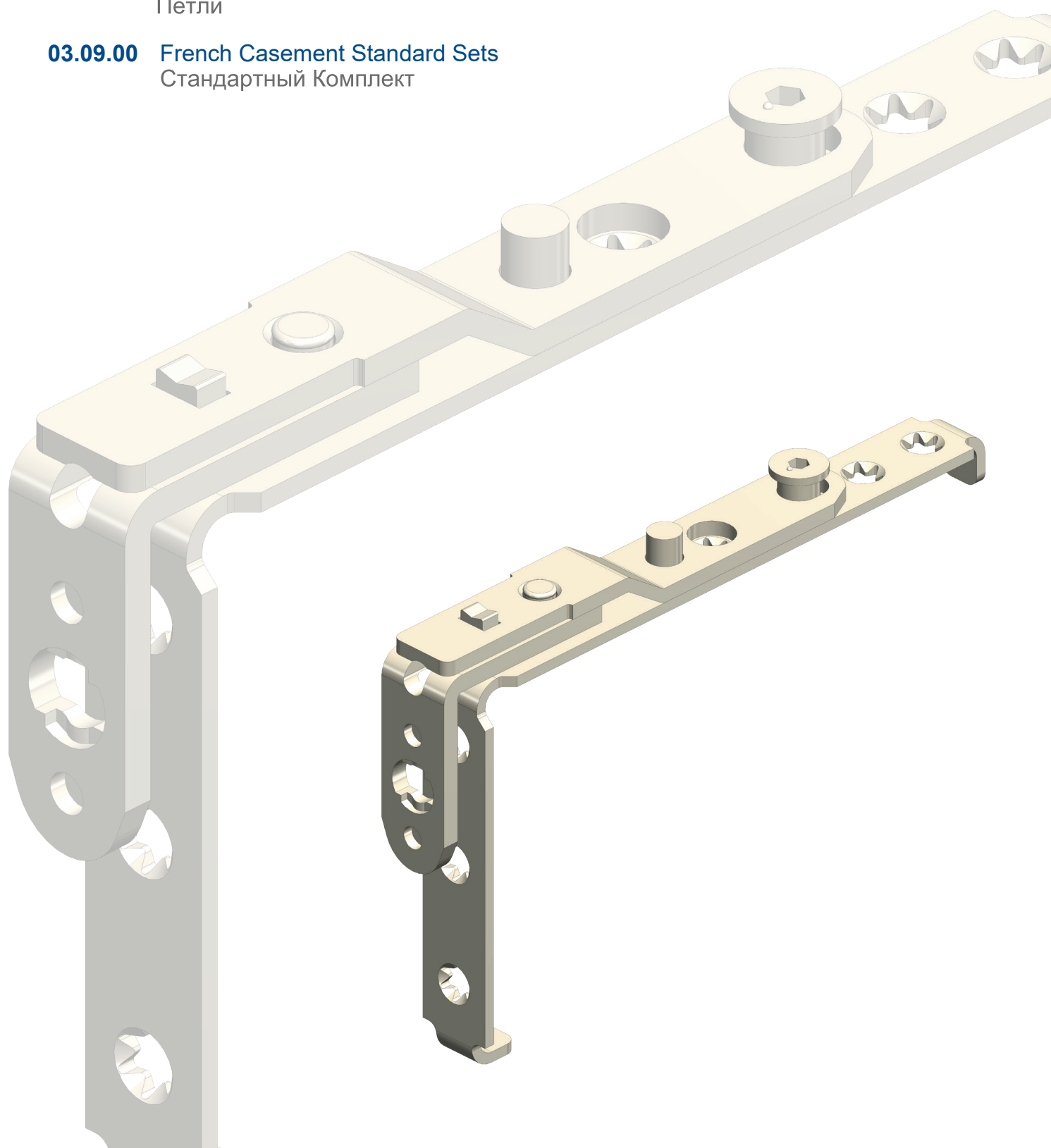


# PREMIUM French Casement (Double Sash) Systems PREMIUM Двустворчатые системы

**03.07.00** System Groups  
Система групп

**03.08.00** French Casement Hinges  
Петли

**03.09.00** French Casement Standard Sets  
Стандартный Комплект

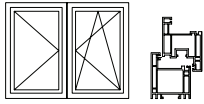


# PREMIUM French Casement (Double Sash) Systems

## Двустворчатые системы



System Groups / V.H.H. French Casement System / Compatible with Vertical & Horizontal T&T Systems  
 Система групп / Двустворчатые системы / Совместим с Верт. & П&О системой



3	V.03/300.00.01	VOK0		SK1 (400-850 mm)
	V.03/310.00.01	VOK1		SK2 (850-1300 mm)
	V.03/360.00.01	VOK1S		SK2 (850-1400 mm)
	V.03/320.00.01	VOK2	Middle Lock	SK2 (1200-1500 mm)
	V.03/330.00.01	VOK3	Промежуточное Запирание	SK3 (1400-1700 mm)
	V.03/340.00.01	VOK4		SK3 (1600-2050 mm)
	V.03/350.00.01	VOK5		SK4 (2000-2350 mm)
4b	V.04/403.00.01	VCD3	Corner Drive	155 x 130 SK1
4c	V.04/404.00.01	VCD4	Угловой Переключатель	155 x 130 SK1
6	V.06/800.00.01	VYK	Horizontal Extension Lock Горизонтальное Запирание	SK1 (490 mm)
11	V.07/911.XX.01	PUM..	Top Sash Hinge (9/13) Верхняя Петля Створки	Strikers List
12	V.07/921.00.01	PUMF	Top Frame Hinge Верхняя Петля Рамы	
12a	V.07/921.02.01	PUMF2	Top Frame Hinge (130kg) Верхняя Петля Рамы	
13	V.07/931.00.01	PKM1	Bottom Frame Hinge Нижняя Петля Рамы	
13a	V.07/931.01.01	PKM3	Bottom Frame Hinge (130 kg) Нижняя Петля Рамы	
14	V.07/941.00.01	PKM2	Bottom Sash Hinge Нижняя Петля Створки	
14a	V.07/9XX.XX.01	PKM4.XX	Rebate Corner Support Hinge (R/L - 9/13) - (130 kg) Нижняя петля с углом	
14b	V.07/942.00.01	PKM5	Bottom Sash Hinge (130 kg) Нижняя Петля Створки	
15	V.15/906.05.XX	PKP.XX	Cover Caps-Standard Комплект Петлевых Декоров	
15a	V.15/906.01.XX	PKPM.XX	Cover Caps-Middle Hinge Комплект Петлевых Декоров для Баз. Комп.	
18	V.07/901.00.01	PAM	Adjustable Sash Hinge Регулируемая Верхняя Петля Створки	
19	V.07/560.03.01	VSBU	Shoot Bolt (top) 190 mm Шпингалет (Верхний)	
19a	V.07/560.04.01	VSBA	Shoot Bolt (bottom) 190 mm Шпингалет (Нижний)	
19b	V.07/560.02.01	VSB2	Shoot Bolt Integrated With Tilt Lock Striker (bottom) 190 mm Шпингалет совмещ. с отв.планкой (Нижний)	
19c	V.07/500.00.01	VLSU	Gear Shoot Bolt (top) 155 mm Штульповый Шпингалет (Верхний)	
19d	V.07/500.01.01	VLSA	Gear Shoot Bolt (bottom) 155 mm Штульповый Шпингалет (Нижний)	
19e	V.07/500.02.01	VLS2	Gear Shoot Bolt Integrated With Tilt Lock Striker (bottom) 155 mm Штульповый Шпингалет совмещ.с отв.планкой (Нижний)	
20	V.07/5720.XX.01	VSBK..	Shoot Bolt Striker (9/13) Ответная Планка Шпингалета	Strikers List
20a	V.07/5700.XX.01	VSBK2	Shoot Bolt Striker (9/13) Ответная Планка Шпингалета	
21	V.07/580.00.01	VSK	Stulp Striker Ответная Планка Манжеты	
21a	V.07/580.01.01	VSK2	Stulp Striker with Euro-groove Support Отв. планка для штульпа с зубчиком	
21b	V.07/580.02.01	VSK3	Stulp Striker-Symmetrical Отв. планка для штульпа симм.	
21c	V.07/580.03.01	VSK4	Stulp Striker (Assembled on Lever Arm Gear) Отв. планка для штульпового запора	
22	V.05/575.00.01	POBML	Middle Hinge Rod Лама Среднего Прижима	
22a	V.05/580.XX.01	PABM..	Adjustable Middle Hinge (9/13) Регулируемая средняя петля	
23	V.05/510.00.01	VGRD1		(550-730 mm)
	V.05/520.00.01	VGRD2		(730-1180 mm)
	V.05/560.00.01	VGRDS	Lever Arm Gear	(950-1400 mm)
	V.05/530.00.01	VGRD3	Штульповый Запор	(1180-1630 mm)
	V.05/540.00.01	VGRD4		(1630-2080 mm)
	V.05/550.00.01	VGRD5		(1900-2350 mm)
32	V.07/580.00.01	VGM	Center Lock Среднеприжимная Петля	
33	V.07/580.XX.01	VGMK..	Center Lock Striker (9/13) Ответная Планка Среднеприжимной Петли	Strikers List
35	V.07/1XX.XX.01	VKK.XX	Gear Keeps (9/13) Ответная Планка	Strikers List
36	V.186.310.01	VBM-1	Center Hinge Средний Прижим Накладной	Strikers List

# PREMIUM French Casement (Double Sash) Systems

## Двустворчатые системы



### System Groups / V.H.H. French Casement System & Vertical T&T System

### Система групп / Двустворчатые системы Вертикально П&О система



V.01/110-15.01 VGR1 V.01/170-15.01 VGR1S V.01/120-15.01 VGR2 V.01/160-15.01 VGRS V.01/130-15.01 VGR3 V.01/150-15.01 VGR4 V.01/150-15.01 VGR5	SK0 (480-730 mm) SK0 (580-780 mm) SK1 (730-1180 mm) SK1 (850-1400 mm) SK1 (1180-1630 mm) SK1 (1400-1700 mm) SK2 (1900-2350 mm)
T&T Espagnolette V.H.H. (15 mm. Backset) Полоронье-Опандой Запор	
V.02/310.00.01 PMK1 V.02/320.00.01 PMK2 V.02/321.00.01 PMK2S V.02/330.00.01 PMK3 V.02/340.00.01 PMK4 V.02/350.00.01 PMK5	SK0 (375-650 mm) SK0 (565-840 mm) SK1 (615-840 mm) SK1 (770-1045 mm) SK1 (900-1265 mm) SK2 (1210-1485 mm)
V.03/300.00.01 VOK0 V.03/310.00.01 VOK1 V.03/320.00.01 VOK2 V.03/330.00.01 VOK3 V.03/340.00.01 VOK4 V.03/350.00.01 VOK5	SK1 (400-850 mm) SK2 (850-1300 mm) SK2 (1200-1500 mm) SK3 (1400-1700 mm) SK3 (1600-2050 mm) SK4 (2000-2350 mm)
V.04/400.00.01 VCD1	155 SK1 x 130
V.07/175.00.01 VAKE	Sash Lifter & Anti-Mishandling Device Микролифт
V.07/911-XX.01 PUM. V.07/921.00.01 PUMF	Top Sash Hinge (9/13) V.07/570b-XX.01 VSBK Верхний Петельный Шарнир Верхняя Петля Рамы
V.07/931.00.01 PKM1 V.07/931.01.01 PKM3 V.07/941.00.01 PKM2 V.07/942.00.01 PKM5	Bottom Frame Hinge Bottom Frame Hinge (130 kg) Нижняя Петля Рамы Bottom Sash Hinge Bottom Sash Hinge (130 kg) Нижняя Петля Створки
V.15/906.05.XX PKP-XX	Cover Caps-Standard Комплект Петельных Декоров
V.04/406.00.01 VAK	Vertical Tilt Lock 155 mm Вертикальный Замок
V.07/1XX-XX.01 VVK-XX	Gear Keeps (9/13) Ответная Планка
V.03/300.00.01 VOK0 V.03/310.00.01 VOK1 V.03/320.00.01 VOK2 V.03/330.00.01 VOK3 V.03/340.00.01 VOK4 V.03/350.00.01 VOK5	SK1 (400-850 mm) SK2 (850-1300 mm) SK2 (1200-1500 mm) SK3 (1400-1700 mm) SK3 (1600-2080 mm) SK4 (1900-2350 mm)
V.04/403-30.01 VCD3	155 x 130 SK1
V.06/600.00.01 VYK	SK1 (480 mm)
V.07/911-XX.01 PUM. V.07/921-00.01 PUMF	Stinkers List Top Sash Hinge (9/13) Верхний Петельный Шарнир Top Frame Hinge Верхняя Петля Рамы
V.07/931-00.01 PKM1 V.07/931-01.01 PKM3 V.07/942-00.01 PKM2 V.07/941-00.01 PKM5	Bottom Frame Hinge Нижняя Петля Рамы Bottom Frame Hinge (130 kg) Нижняя Петля Рамы Bottom Sash Hinge (130 kg) Нижняя Петля Створки
V.15/906.05.XX PKP-XX V.15/906.01.XX PKPM-XX	Cover Caps-Standard Комплект Петельных Декоров Средняя Петля Шарнир Комплект Петельных Декоров для Бал. Комп.
V.07/901-30.01 PAM	Adjustable Sash Hinge Регулируемая Верхняя Петля Створки
V.07/560.03.01 VBSU	Shoot Bolt (top) 190 mm
V.07/560.02.01 VSB2	Shoot Bolt Integrated With Tilt Lock Striker (bottom)
V.07/500-00.01 VLSU	Gear Shoot Bolt (top) 155 mm Шульцевый Штырь (Верхний)
V.07/500-02.01 VLS2	Gear Shoot Bolt Integrated With Tilt Lock Striker (bottom) Шульцевый Штырь (Нижний)
V.07/570-XX.01 VSBK.. V.07/570-XX.01 VSBK2	Shoot Bolt Striker (9/13) Ответная Планка Шпинделя
V.07/580.00.01 VSK	Stulp Striker Ответная Планка Манжеты
V.05/75-00.01 POBML	Middle Hinge Rod Лана Среднего Прямых
V.05/510-00.01 VGRD1 V.05/520-00.01 VGRD2 V.05/560-00.01 VGRDS V.05/530-00.01 VGRD3 V.05/540-00.01 VGRD4 V.05/550-00.01 VGRD5	(550-730 mm) (730-1180 mm) (850-1400 mm) (1180-1630 mm) (1630-2080 mm) (1900-2350 mm)
V.07/580-00.01 VGM V.07/580-XX.01 VGMK.	Center Lock Среднепрямая Петля Center Lock Striker (9/13) Ответная Планка Среднепрямой Петли
V.07/1XX-XX.01 VVK-XX	Gear Keeps (9/13) Ответная Планка

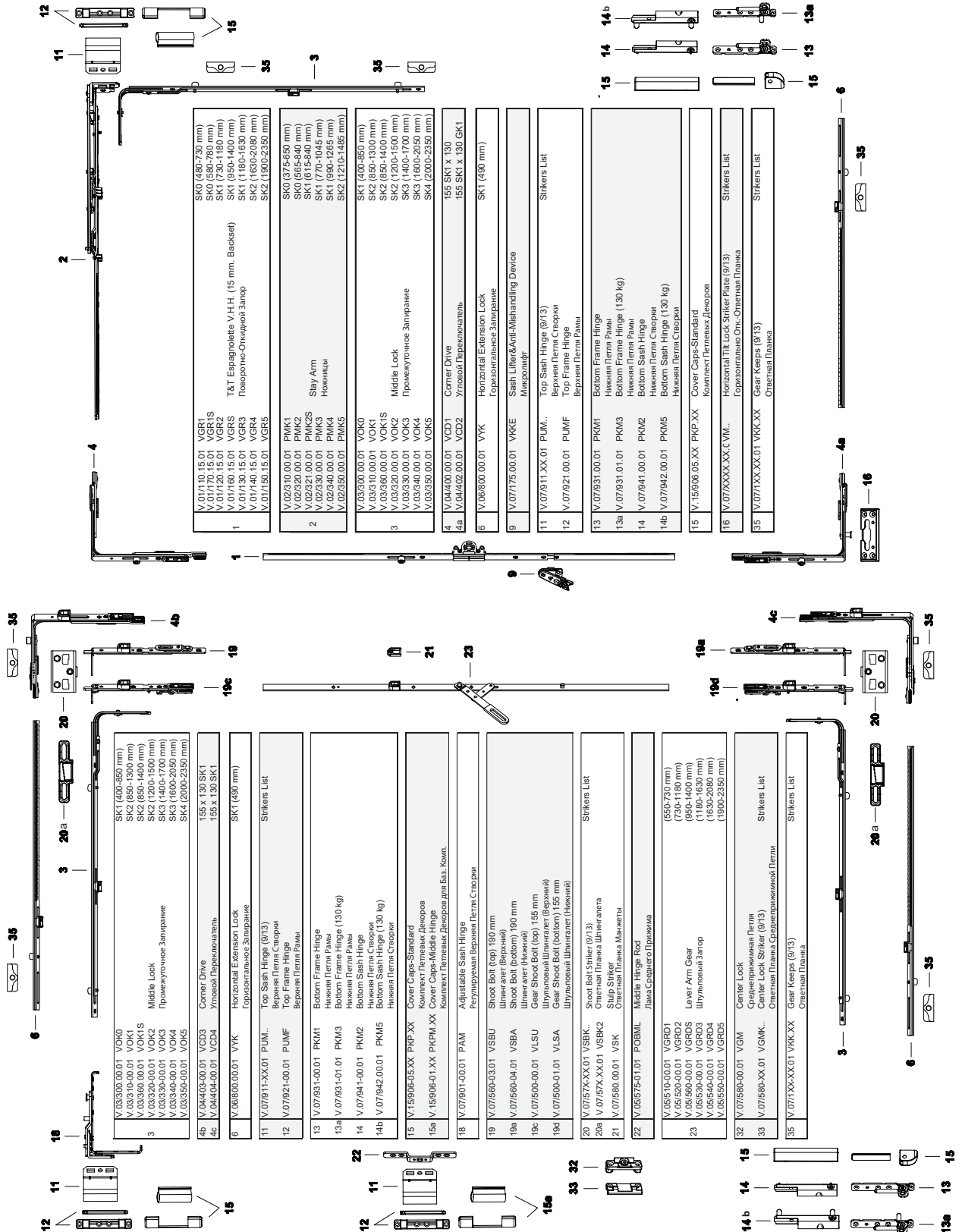
# PREMIUM French Casement (Double Sash) Systems

## Двустворчатые системы



### System Groups / V.H.H. French Casement System & Horizontal T&T System

### Система групп / Двустворчатые системы Горизонтально П&О система

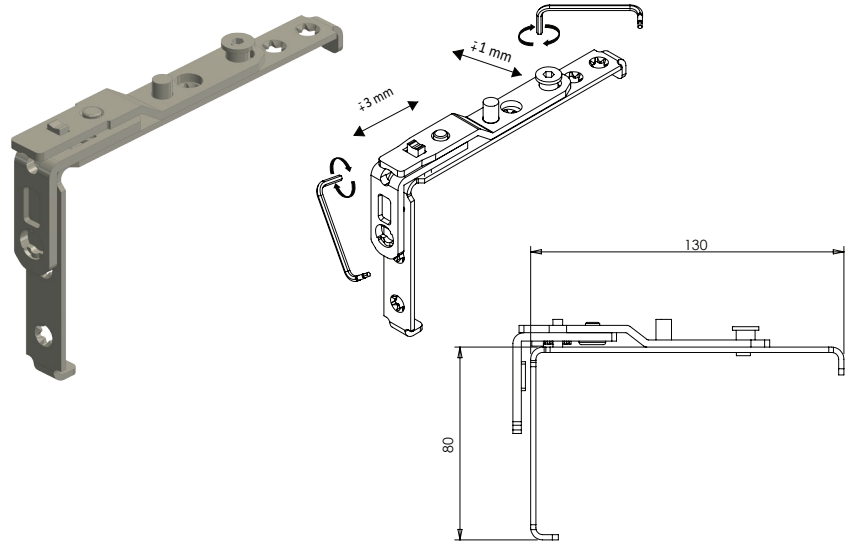
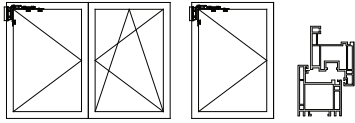




# PREMIUM French Casement (Double Sash) Systems Двустворчатые системы

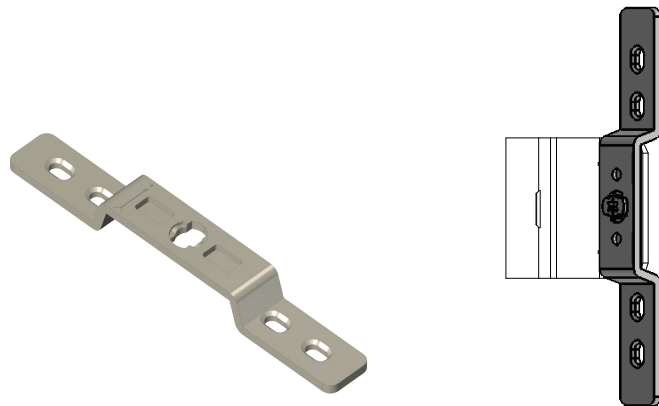
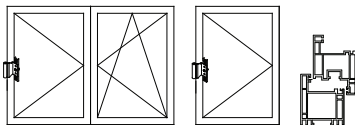


## Adjustable Sash Hinge Регулируемая Верхняя Петля Створки



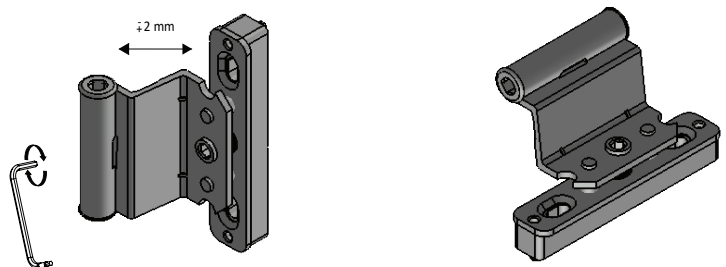
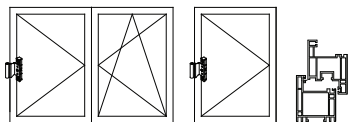
	(Short Code)		
V.07.901.00.01	PAM	7	100

## Middle Hinge Rod Лама Среднего Прижима



	(Short Code)		
V.05.575.01.01	POBML	4	300

## Adjustable Middle Hinge Регулируемая средняя петля

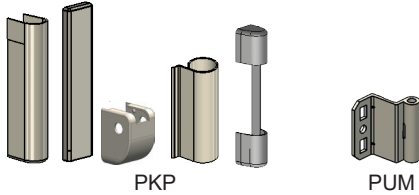
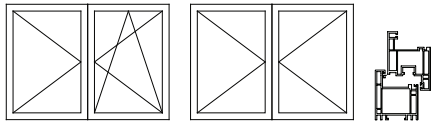


	(Short Code)	Axis		
V.05.582.09.01	PABM-9	9	2	100
V.05.582.13.01	PABM-13	13	2	100

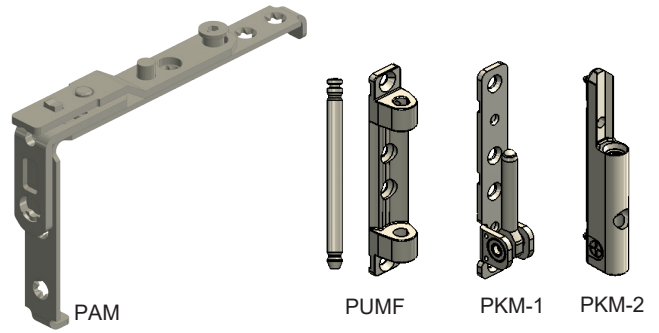
# PREMIUM French Casement (Double Sash) Systems Двустворчатые системы



## Symmetrical Hinge Group Standard Set Базовый Комплект



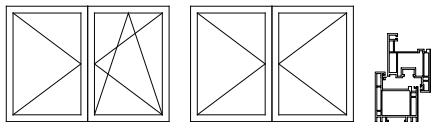
<span style="margin-left: 20px;">(Short Code)</span>		
V.15.9060.05.XX	PKP	100
V.07.911.XX	PUM	300



<span style="margin-left: 20px;">(Short Code)</span>		
V.07.990.10.XX	PSG-1	40

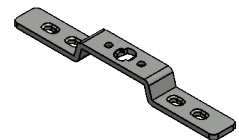
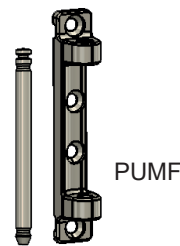
\* PSG-1 : PAM+PUMF+PKM-1+PKM-2

## Middle Hinge Group Standard Set Комплект Среднего Прижима

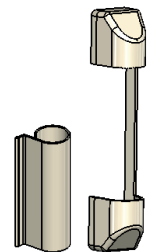


<span style="margin-left: 20px;">(Short Code)</span>		
V.05.576.01.XX	POBM	100

\* POBM=POBML+PUMF+PKPM

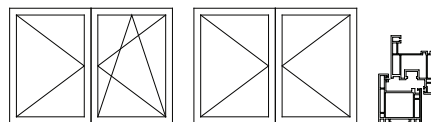


POBML



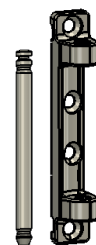
PKPM..

## Adjustable Middle Hinge Group Комплект регулируемой средней петли

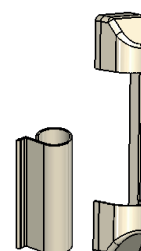


<span style="margin-left: 20px;">(Short Code)</span>		
V.05.586.09.XX	PABMG-9	50
V.05.586.013.XX	PABMG-13	50

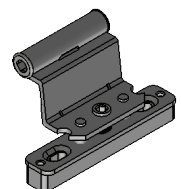
\* PABMG=PUMF+PKPM+PABM



PUMF



PKPM..



PABM

## Side Hung Turn Only Systems Поворотная система

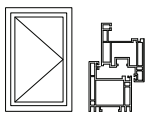
- 04.01.00** System Groups  
Система групп
- 04.02.00** Turn Only Espagnolette 15 mm Backset  
Поворотный Механизм 15 мм
- 04.03.00** Turn Only Espagnolette 7,5 mm Backset  
Поворотный Механизм 7,5 мм
- 04.04.00** Turn Only Espagnolette 22 mm Backset  
Поворотный Механизм 22 мм
- 04.05.00** Turn Only Espagnolette 25 mm Backset  
Поворотный Механизм 25 мм
- 04.06.00** Turn Only Espagnolette 40 mm Backset  
Поворотный Механизм 40 мм
- 04.07.00** Sliding Espagnolette 15 mm Backset (With Additional Lock)  
Раздвижной Механизм с Замком 15 мм. (корпус замка)
- 04.08.00** Fixed Handle Height Reversing Espagnolettes  
Поворотно-противоположные проивод



# Side Hung Turn Only Systems Поворотная система



## System Groups / Side Hung Turn Only Systems / Symmetrical Hinge Group Система групп / Поворотная система / Среднеприжимной комплект



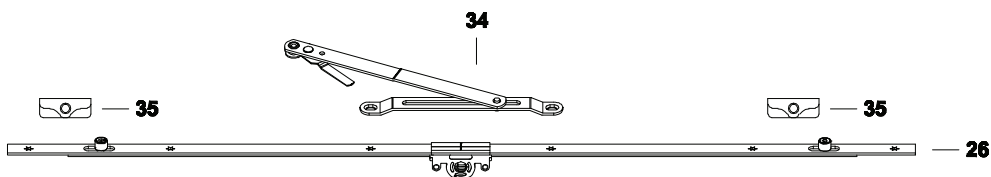
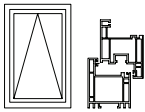
1	V.01/110.15.01	VGR1		SK0 (480-730 mm)
	V.01/120.15.01	VGR2		SK1 (730-1180 mm)
	V.01/160.15.01	VGRS	T&T Espagnolette V.H.H. (15 mm. Backset)	SK1 (950-1400 mm)
	V.01/130.15.01	VGR3	Поворотно-Откидной Запор	SK1 (1180-1630 mm)
	V.01/140.15.01	VGR4		SK2 (1630-2080 mm)
V.01/150.15.01	VGR5		SK2 (1900-2350 mm)	
3	V.03/300.00.01	VOK0		SK1 (400-850 mm)
	V.03/310.00.01	VOK1		SK2 (850-1300 mm)
	V.03/360.00.01	VOK1S		SK2 (850-1400 mm)
	V.03/320.00.01	VOK2	Middle Lock	SK2 (1200-1500 mm)
	V.03/330.00.01	VOK3	Промежуточное Запирание	SK3 (1400-1700 mm)
V.03/340.00.01	VOK4		SK3 (1600-2050 mm)	
V.03/350.00.01	VOK5		SK4 (2000-2350 mm)	
4	V.04/400.00.01	VCD1	Corner Drive Угловой Переключатель	155 SK1 x 130
6	V.06/800.00.01	VYK	Horizontal Extension Lock Горизонтальное Запирание	SK1 (490 mm)
11	V.07/910.XX.01	VUM..	Top Sash Hinge (9/13) Верхняя Петля Створки	Strikers List
12	V.07/920.00.01	VUMF	Top Frame Hinge Верхняя Петля Рамы	
13	V.07/930.00.01	VKM1	Bottom Frame Hinge Нижняя Петля Рамы	
13a	V.07/930.01.01	VKM3	Bottom Frame Hinge (130 kg) Нижняя Петля Рамы	
14	V.07/940.00.01	VKM2	Bottom Sash Hinge (130 kg) Нижняя Петля Створки	
15	V.15/905.05.XX	VKP.XX	Cover Caps-Standard Комплект Петлевых Декоров	
15a	V.15/905.01.XX	VKPM.XX	Cover Caps-Middle Hinge Комплект Петлевых Декоров для Баз. Комп.	
18	V.07/900.00.01	VAM	Adjustable Sash Hinge Регулируемая Верхняя Петля Створки	
22	V.05/575.00.01	VOBML	Middle Hinge Rod Лама Среднего Прижима	
22a	V.05/580.XX.01	VABM..	Adjustable Middle Hinge (9/13) Регулируемая средняя петля	
26	V.21/050.15.01	VTA-0		280 mm SK2 (280 mm)
	V.21/100.15.01	VTA-1		400 mm SK2 (300-600 mm)
	V.21/110.15.01	VTA-2		600 mm SK2 (500-800 mm)
	V.21/120.15.01	VTA-3		800 mm SK2 (700-1000 mm)
	V.21/130.15.01	VTA-4	Turn Only Espagnolette	1000 mm SK3 (900-1200 mm)
	V.21/140.15.01	VTA-5	Поворотный Запор	1200 mm SK3 (1100-1400 mm)
	V.21/150.15.01	VTA-6		1400 mm SK3 (1300-1600 mm)
	V.21/160.15.01	VTA-7		1600 mm SK3 (1500-1800 mm)
	V.21/170.15.01	VTA-8		1800 mm SK4 (1700-2000 mm)
	V.21/180.15.01	VTA-9		2000 mm SK4 (1900-2200 mm)
V.21/190.15.01	VTA-10		2200 mm SK4 (2100-2400 mm)	
29a	V.04/408.01.01	VAK2	Turn Only (Top/Bottom) Lock 155 mm Поворотный Замок (Верхний/Нижний)	
32	V.07/580.00.01	VGM	Center Lock Среднеприжимная Петля	
33	V.07/580.XX.01	VGMK..	Center Lock Striker (9/13) Ответная Планка Среднеприжимной Петли	Strikers List
35	V.07/1XX.XX.01	VKK.XX	Gear Keeps (9/13) Ответная Планка	Strikers List
36	V.186.310.01	VBM-1	Center Hinge Средний Прижим Накладной	Strikers List

# Side Hung Turn Only Systems

## Поворотная система



System Groups / Side Hung Tilt Only Systems / Symmetrical Hinge Group  
 Система групп / Фрамужная система / Среднеприжимной комплект



11	V.07/910.XX.01	VUM..	Top Sash Hinge (9/13) Верхняя Петля Створки	Strikers List
12	V.07/920.00.01	VUMF	Top Frame Hinge Верхняя Петля Рамы	
15a	V.15/905.01.XX	VKPM.XX	Cover Caps-Middle Hinge Комплект Петлевых Декоров для Баз. Комп.	
22	V.05/575.00.01	VOBML	Middle Hinge Rod Лама Среднего Прижима	
26	V.21/050.15.01	VTA-0		280 mm SK2 (280 mm)
	V.21/100.15.01	VTA-1		400 mm SK2 (300-600 mm)
	V.21/110.15.01	VTA-2		600 mm SK2 (500-800 mm)
	V.21/120.15.01	VTA-3		800 mm SK2 (700-1000 mm)
	V.21/130.15.01	VTA-4	Turn Only Espagnolette	1000 mm SK3 (900-1200 mm)
	V.21/140.15.01	VTA-5	Поворотный Запор	1200 mm SK3 (1100-1400 mm)
	V.21/150.15.01	VTA-6		1400 mm SK3 (1300-1600 mm)
	V.21/160.15.01	VTA-7		1600 mm SK3 (1500-1800 mm)
	V.21/170.15.01	VTA-8		1800 mm SK4 (1700-2000 mm)
	V.21/180.15.01	VTA-9		2000 mm SK4 (1900-2200 mm)
V.21/190.15.01	VTA-10		2200 mm SK4 (2100-2400 mm)	
34	V.07/200.00.01	VVM	Tilt Stay ( Adaptable To Espagnolette) Фрамужная Ножница (Регулируемая)	
35	V.07/1XX.XX.01	VKK.XX	Gear Keeps (9/13) Ответная Планка	Strikers List



Диапазон применения	
Ширина створки	макс.1200 мм
Высота створки	макс.1000 мм
Вес створки	макс.50 кг

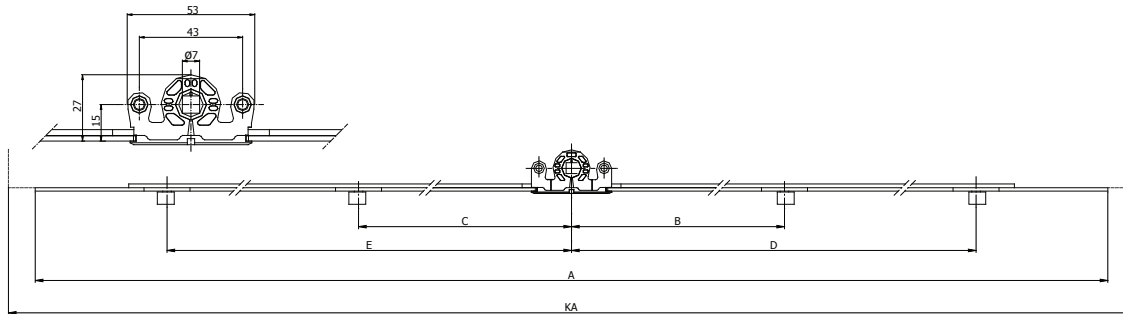
# Side Hung Turn Only Systems





## Поворотная система

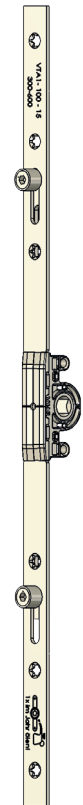


### Turn Only Espagnolette 15 mm Backset (Zamak Gearbox - Standard Locking Pin)

### Поворотный Механизм 15 мм. (корпус замка)

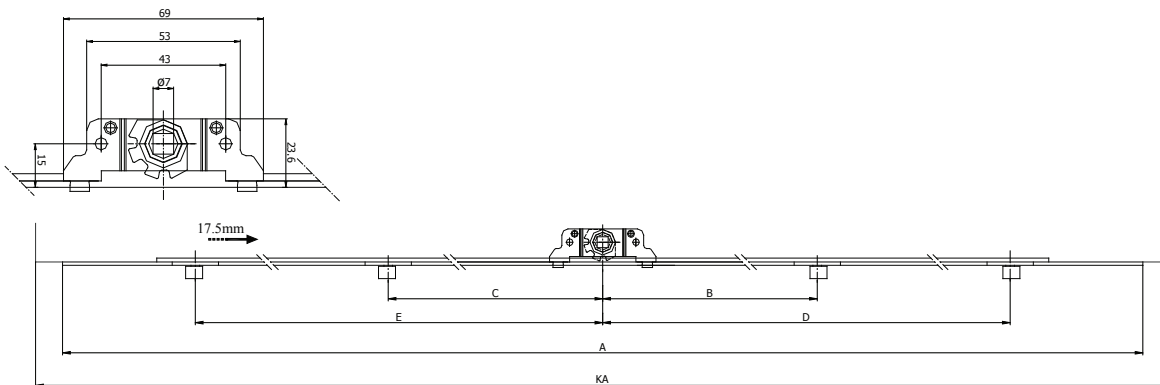






 (Short Code)		KA	Usage Length	A	B	C	D	E	  		
V.21.050.15.01	VTA-0	280	280	96	114	-	-	4	2	60	
V.21.100.15.01	VTA-1	300-600	400	96	114	-	-	6	2	20	
V.21.110.15.01	VTA-2	500-800	600	165,5	183,5	-	-	6	2	20	
V.21.120.15.01	VTA-3	700-1000	800	265,5	283,5	-	-	8	2	20	
V.21.130.15.01	VTA-4	900-1200	1000	365,5	144	-	383,5	10	3	20	
V.21.140.15.01	VTA-5	1100-1400	1200	465,5	144	-	483,5	10	3	20	
V.21.150.15.01	VTA-6	1300-1600	1400	565,5	144	-	583,5	12	3	20	
V.21.160.15.01	VTA-7	1500-1800	1600	665,5	144	-	683,5	13	3	20	
V.21.170.15.01	VTA-8	1700-2000	1800	249,5	267,5	765,5	783,5	14	4	20	
V.21.180.15.01	VTA-9	1900-2200	2000	282,5	300,5	865,5	883,5	16	4	20	
V.21.190.15.01	VTA-10	2100-2400	2200	282,5	300,5	965,5	983,5	16	4	20	

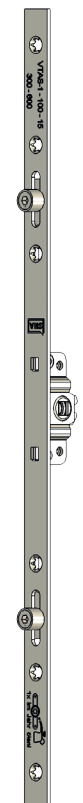


### Turn Only Espagnolette 15 mm Backset (Steel Gearbox - Standard Locking Pin)

### Поворотный Механизм 15 мм. (корпус сталь)



 (Short Code)		KA	Usage Length	A	B	C	D	E	  		
V.22.050.15.01	VTAS-0	280	280	96	114	-	-	4	2	60	
V.22.100.15.01	VTAS-1	300-600	400	96	114	-	-	6	2	20	
V.22.110.15.01	VTAS-2	500-800	600	165,5	183,5	-	-	6	2	20	
V.22.120.15.01	VTAS-3	700-1000	800	265,5	283,5	-	-	8	2	20	
V.22.130.15.01	VTAS-4	900-1200	1000	365,5	144	-	383,5	10	3	20	
V.22.140.15.01	VTAS-5	1100-1400	1200	465,5	144	-	483,5	10	3	20	
V.22.150.15.01	VTAS-6	1300-1600	1400	565,5	144	-	583,5	12	3	20	
V.22.160.15.01	VTAS-7	1500-1800	1600	665,5	144	-	683,5	13	3	20	
V.22.170.15.01	VTAS-8	1700-2000	1800	249,5	267,5	765,5	783,5	14	4	20	
V.22.180.15.01	VTAS-9	1900-2200	2000	282,5	300,5	865,5	883,5	16	4	20	
V.22.190.15.01	VTAS-10	2100-2400	2200	282,5	300,5	965,5	983,5	16	4	20	



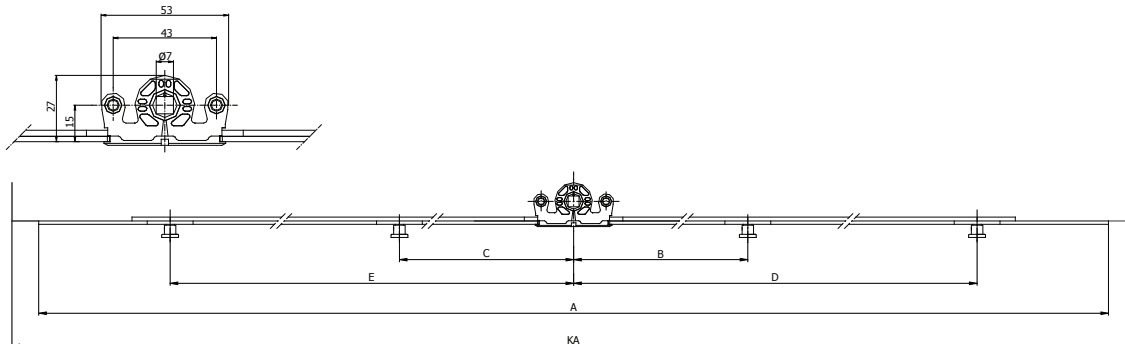
# Side Hung Turn Only Systems





## Поворотная система

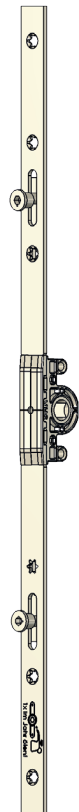


### Turn Only Espagnolette 15 mm Backset (Zamak Gearbox - Security Locking Pin)

### Поворотная Механизм 15 мм. (корпус замка)

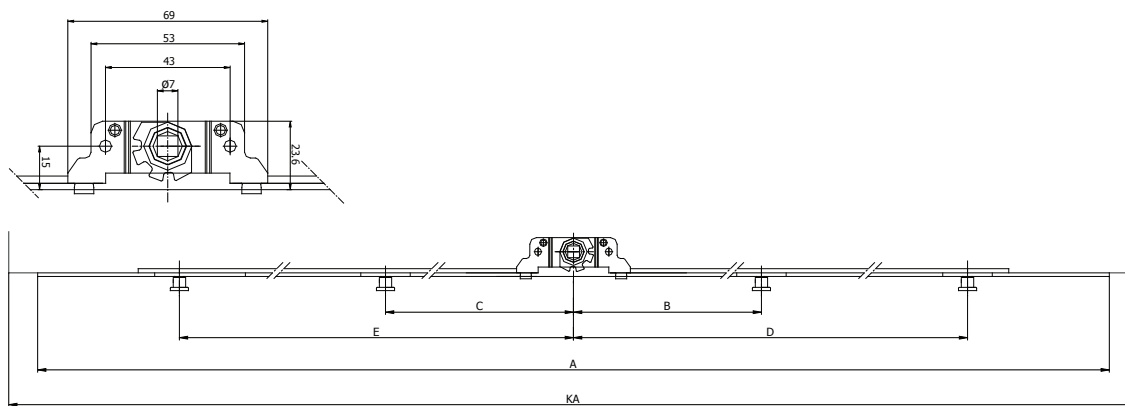






 (Short Code) <b>KA</b> Usage Length		A	B	C	D	E	  			
V.23.050.15.01	VSTA-0	280	280	96	114	-	-	4	2	60
V.23.100.15.01	VSTA-1	300-600	400	96	114	-	-	6	2	20
V.23.110.15.01	VSTA-2	500-800	600	165,5	183,5	-	-	6	2	20
V.23.120.15.01	VSTA-3	700-1000	800	265,5	283,5	-	-	8	2	20
V.23.130.15.01	VSTA-4	900-1200	1000	365,5	144	-	383,5	10	3	20
V.23.140.15.01	VSTA-5	1100-1400	1200	465,5	144	-	483,5	10	3	20
V.23.150.15.01	VSTA-6	1300-1600	1400	565,5	144	-	583,5	12	3	20
V.23.160.15.01	VSTA-7	1500-1800	1600	665,5	144	-	683,5	13	3	20
V.23.170.15.01	VSTA-8	1700-2000	1800	249,5	267,5	765,5	783,5	14	4	20
V.23.180.15.01	VSTA-9	1900-2200	2000	282,5	300,5	865,5	883,5	16	4	20
V.23.190.15.01	VSTA-10	2100-2400	2200	282,5	300,5	965,5	983,5	16	4	20



### Turn Only Espagnolette 15 mm Backset (Steel Gearbox - Security Locking Pin)

### Поворотная Механизм 15 мм. (корпус сталь)



 (Short Code) <b>KA</b> Usage Length		A	B	C	D	E	  			
V.24.050.15.01	VSTAS-0	280	280	96	114	-	-	4	2	60
V.24.100.15.01	VSTAS-1	300-600	400	96	114	-	-	6	2	20
V.24.110.15.01	VSTAS-2	500-800	600	165,5	183,5	-	-	6	2	20
V.24.120.15.01	VSTAS-3	700-1000	800	265,5	283,5	-	-	8	2	20
V.24.130.15.01	VSTAS-4	900-1200	1000	365,5	144	-	383,5	10	3	20
V.24.140.15.01	VSTAS-5	1100-1400	1200	465,5	144	-	483,5	10	3	20
V.24.150.15.01	VSTAS-6	1300-1600	1400	565,5	144	-	583,5	12	3	20
V.24.160.15.01	VSTAS-7	1500-1800	1600	665,5	144	-	683,5	13	3	20
V.24.170.15.01	VSTAS-8	1700-2000	1800	249,5	267,5	765,5	783,5	14	4	20
V.24.180.15.01	VSTAS-9	1900-2200	2000	282,5	300,5	865,5	883,5	16	4	20
V.24.190.15.01	VSTAS-10	2100-2400	2200	282,5	300,5	965,5	983,5	16	4	20



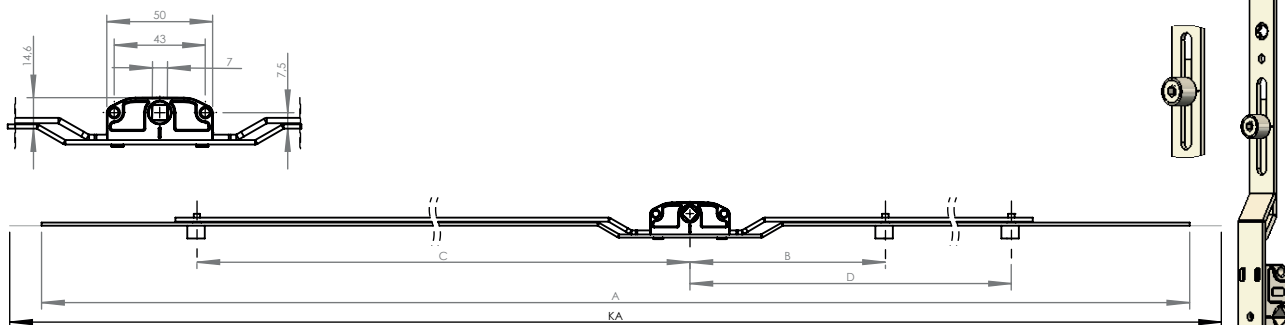
# Side Hung Turn Only Systems

## Поворотная система

VHS

### Turn Only Espagnolette 7,5 mm Backset (Zamak Gearbox - Standard Locking Pin)

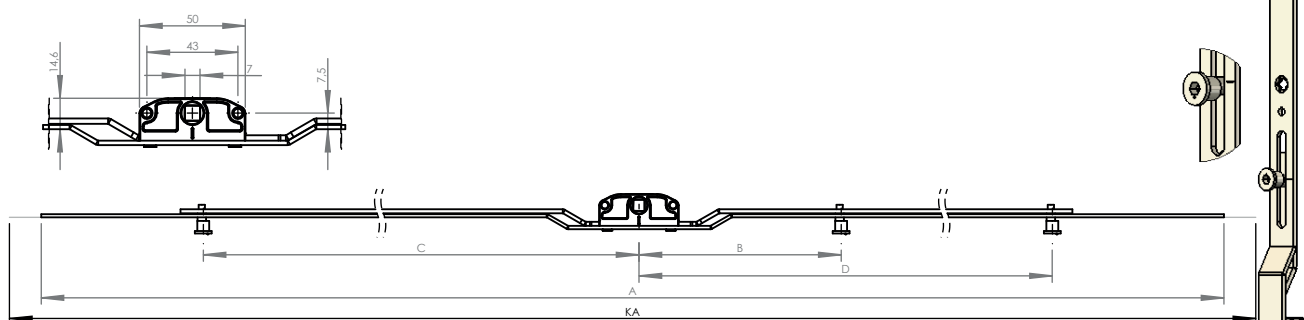
### Поворотный Механизм 7,5 мм. (корпус замка)



Shopping Cart	Short Code	KA Usage Length	A	B	C	D	Screw	Pin	Box	
	V.45.050.75	TAEP-0	280	280	80,5	-	-	2	1	60
	V.45.100.75	TAEP-1	300-600	400	90	-	-	4	1	20
	V.45.110.75	TAEP-2	500-800	600	192,5	-	-	6	1	20
	V.45.120.75	TAEP-3	700-1000	800	288,5	300,5	-	8	2	20
	V.45.130.75	TAEP-4	900-1200	1000	390,5	399	-	10	2	20
	V.45.140.75	TAEP-5	1100-1400	1200	135	491,5	498,5	11	3	20
	V.45.150.75	TAEP-6	1300-1600	1400	133,5	591,5	598,5	11	3	20
	V.45.160.75	TAEP-7	1500-1800	1600	115,5	708,5	680,5	13	3	20
	V.45.170.75	TAEP-8	1700-2000	1800	116,5	809	780,5	13	3	20
	V.45.180.75	TAEP-9	1900-2200	2000	122,5	902,5	887,5	13	3	20
	V.45.190.75	TAEP-10	2100-2400	2200	127	998,5	990,5	15	3	20

### Turn Only Espagnolette 7,5 mm Backset (Zamak Gearbox - Security Locking Pin)

### Поворотный Механизм 7,5 мм. (корпус замка)



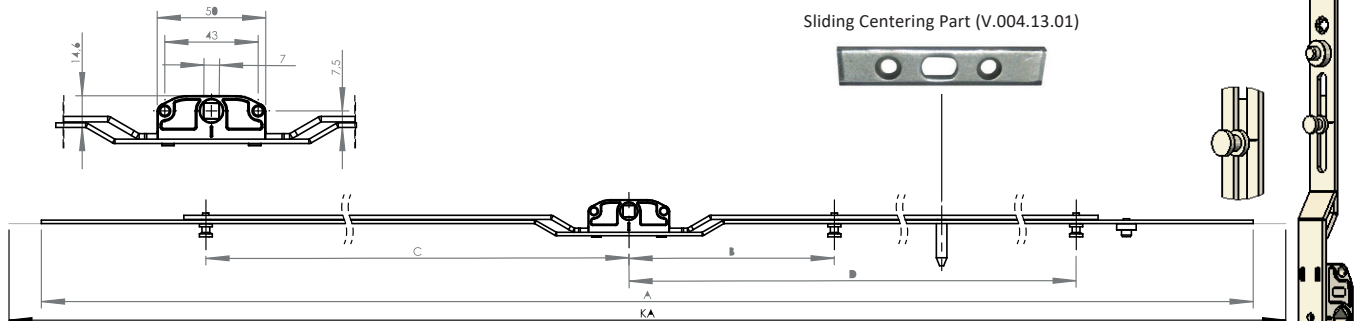
Shopping Cart	Short Code	KA Usage Length	A	B	C	D	Screw	Pin	Box	
	V.45.050.75	TAMP-0	280	280	80,5	-	-	2	1	60
	V.45.100.75	TAMP-1	300-600	400	90	-	-	4	1	20
	V.45.110.75	TAMP-2	500-800	600	192,5	-	-	6	1	20
	V.45.120.75	TAMP-3	700-1000	800	288,5	300,5	-	8	2	20
	V.45.130.75	TAMP-4	900-1200	1000	390,5	399	-	10	2	20
	V.45.140.75	TAMP-5	1100-1400	1200	135	491,5	498,5	11	3	20
	V.45.150.75	TAMP-6	1300-1600	1400	133,5	591,5	598,5	11	3	20
	V.45.160.75	TAMP-7	1500-1800	1600	115,5	708,5	680,5	13	3	20
	V.45.170.75	TAMP-8	1700-2000	1800	116,5	809	780,5	13	3	20
	V.45.180.75	TAMP-9	1900-2200	2000	122,5	902,5	887,5	13	3	20
	V.45.190.75	TAMP-10	2100-2400	2200	127	998,5	990,5	15	3	20



# Side Hung Turn Only Systems Поворотная система

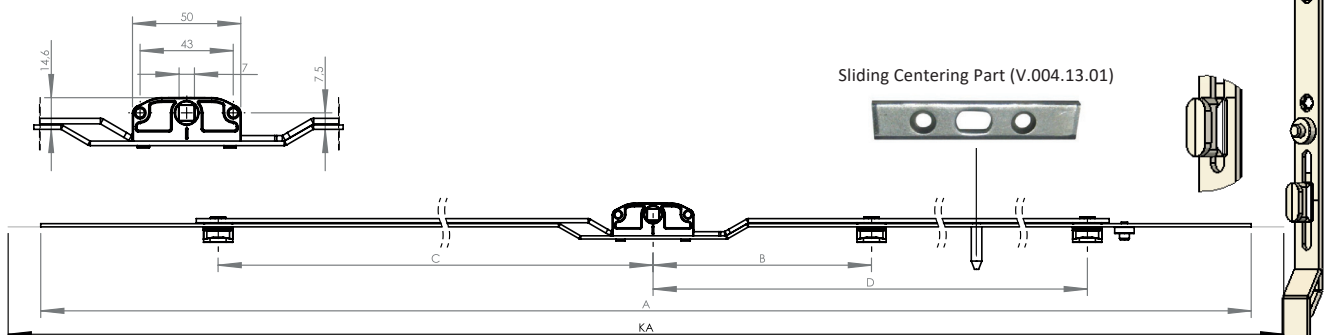
VHS

## Sliding Espagnolette 7,5 mm Backset (Zamak Gearbox - Standard Locking Pin) Раздвижной Механизм 7,5 мм. (корпус замок)



		Short Code	KA	Usage Length	A	B	C	D			
V.45.050.75	TASP-0	280	280	80,5	-	-	-	2	1	60	
V.45.100.75	TASP-1	300-600	400	90	-	-	-	4	1	20	
V.45.110.75	TASP-2	500-800	600	192,5	-	-	-	6	1	20	
V.45.120.75	TASP-3	700-1000	800	288,5	300,5	-	-	8	2	20	
V.45.130.75	TASP-4	900-1200	1000	390,5	399	-	-	10	2	20	
V.45.140.75	TASP-5	1100-1400	1200	135	491,5	498,5	11	3	3	20	
V.45.150.75	TASP-6	1300-1600	1400	133,5	591,5	598,5	11	3	3	20	
V.45.160.75	TASP-7	1500-1800	1600	115,5	708,5	680,5	13	3	3	20	
V.45.170.75	TASP-8	1700-2000	1800	116,5	809	780,5	13	3	3	20	
V.45.180.75	TASP-9	1900-2200	2000	122,5	902,5	887,5	13	3	3	20	
V.45.190.75	TASP-10	2100-2400	2200	127	998,5	990,5	15	3	3	20	

## Sliding Espagnolette 7,5 mm Backset (Zamak Gearbox - Security Locking Pin) Раздвижной Механизм 7,5 мм. (корпус замок)

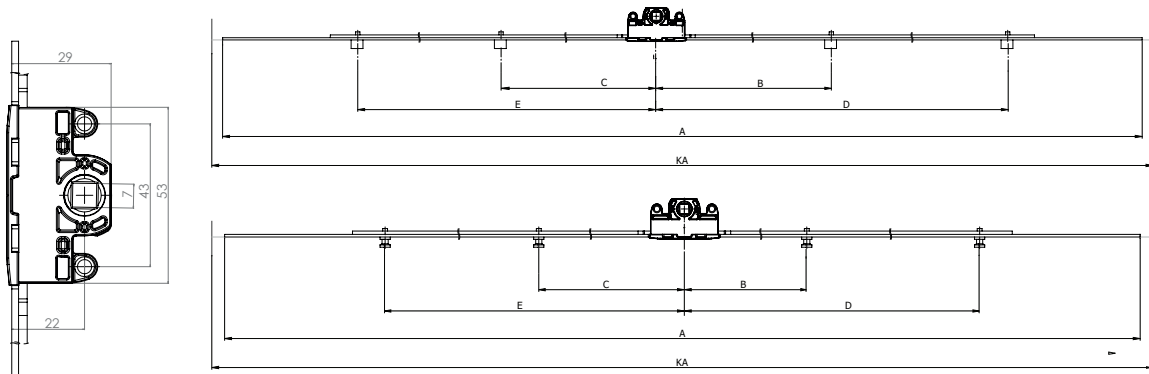


		Short Code	KA	Usage Length	A	B	C	D			
V.45.050.75	TAZP-0	280	280	80,5	-	-	-	2	1	60	
V.45.100.75	TAZP-1	300-600	400	90	-	-	-	4	1	20	
V.45.110.75	TAZP-2	500-800	600	192,5	-	-	-	6	1	20	
V.45.120.75	TAZP-3	700-1000	800	288,5	300,5	-	-	8	2	20	
V.45.130.75	TAZP-4	900-1200	1000	390,5	399	-	-	10	2	20	
V.45.140.75	TAZP-5	1100-1400	1200	135	491,5	498,5	11	3	3	20	
V.45.150.75	TAZP-6	1300-1600	1400	133,5	591,5	598,5	11	3	3	20	
V.45.160.75	TAZP-7	1500-1800	1600	115,5	708,5	680,5	13	3	3	20	
V.45.170.75	TAZP-8	1700-2000	1800	116,5	809	780,5	13	3	3	20	
V.45.180.75	TAZP-9	1900-2200	2000	122,5	902,5	887,5	13	3	3	20	
V.45.190.75	TAZP-10	2100-2400	2200	127	998,5	990,5	15	3	3	20	

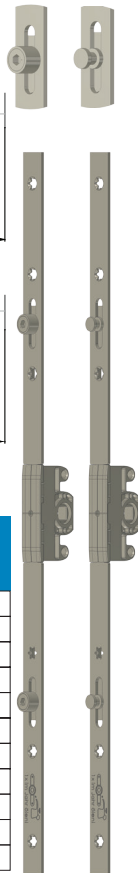
# Side Hung Turn Only Systems Поворотная система



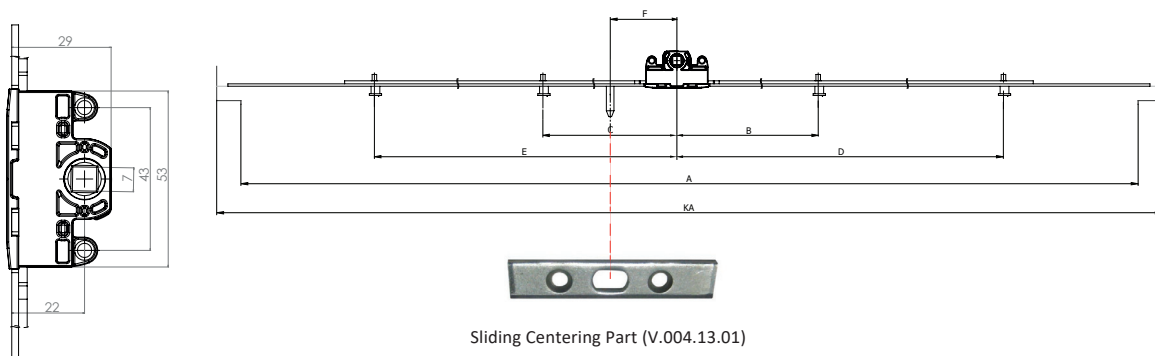
## Turn Only Espagnolette 22 mm Backset (Zamak Gearbox - Standard / Security Locking Pin) Поворотный Механизм 22 мм. (корпус замка)



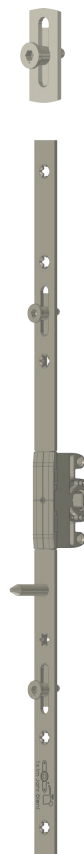
		KA Usage Length	A	B	C	D	E			
(Standard Pin)	(Security Pin)									
V.110.021.222.200	V.110.021.922.200	210-280	210	-	-	-	50,5	2	1	10
V.110.028.222.200	V.110.028.922.200	280-400	280	-	-	74	74	2	2	10
V.110.040.222.200	V.110.040.922.200	400-600	400	-	-	135	135	4	2	10
V.110.060.222.200	V.110.060.922.200	600-800	600	-	-	175	175	8	4	10
V.110.080.222.200	V.110.080.922.200	800-1000	800	-	-	275	275	8	4	10
V.110.100.222.200	V.110.100.922.200	1000-1200	1000	94	-	375	375	10	3	10
V.110.120.222.200	V.110.120.922.200	1200-1400	1200	94	-	475	475	10	3	10
V.110.140.222.200	V.110.140.922.200	1400-1600	1400	266	266	575	575	10	4	10
V.110.160.222.200	V.110.160.922.200	1600-1800	1600	300	300	675	675	12	4	10
V.110.180.222.200	V.110.180.922.200	1800-2000	1800	300	300	775	775	12	4	10
V.110.200.222.200	V.110.200.922.200	2000-2200	2000	300	300	875	875	12	4	10



## Sliding Espagnolette 22 mm Backset (Zamak Gearbox - Security Locking Pin) Раздвижной Механизм 22 мм. (корпус замка)



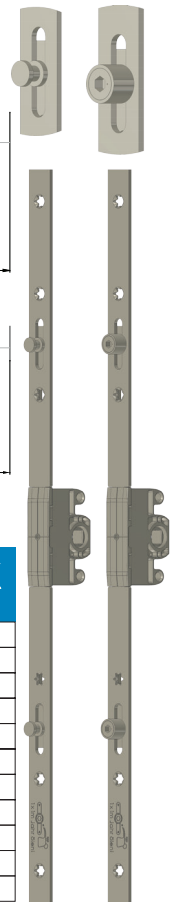
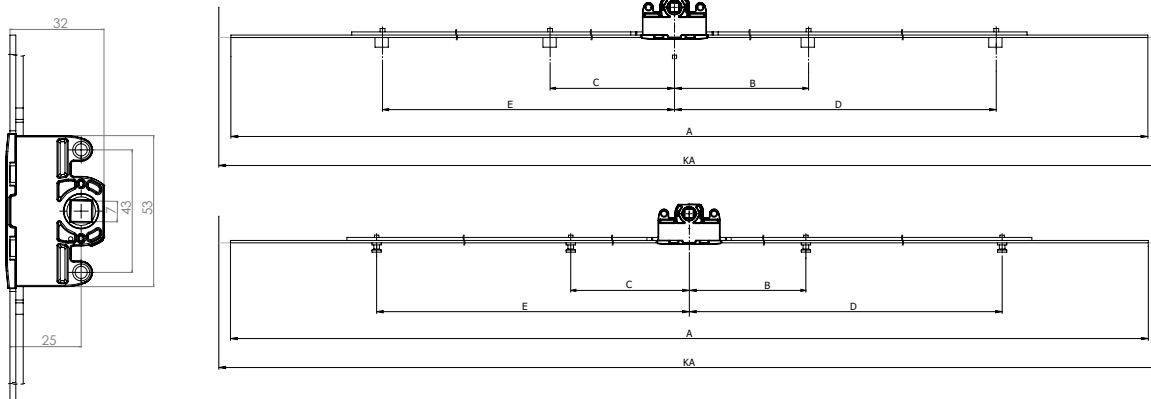
		KA Usage Length	A	B	C	D	E	F			
V.110.060.322.200		600-800	600	-	-	175	175	106,5	8	2	10
V.110.080.322.200		800-1000	800	-	-	275	275	166,5	8	2	10
V.110.100.322.200		1000-1200	1000	94	-	375	375	131,5	10	3	10
V.110.120.322.200		1200-1400	1200	94	-	475	475	166	10	3	10
V.110.140.322.200		1400-1600	1400	266	266	575	575	166	10	4	10
V.110.160.322.200		1600-1800	1600	300	300	675	675	200	12	4	10
V.110.180.322.200		1800-2000	1800	300	300	775	775	200	12	4	10
V.110.200.322.200		2000-2200	2000	300	300	875	875	200	12	4	10



# Side Hung Turn Only Systems Поворотная система

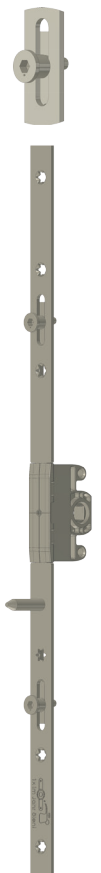
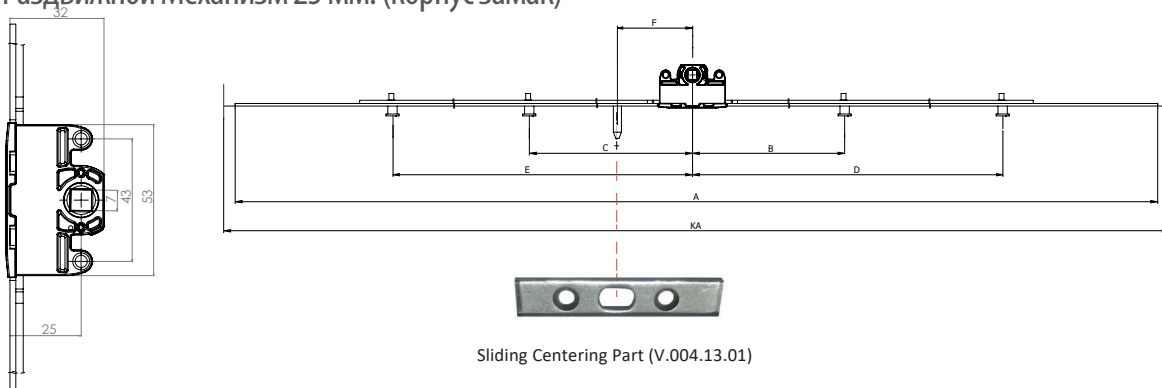


## Turn Only Espagnolette 25 mm Backset (Zamak Gearbox - Standard / Security Locking Pin) Поворотный Механизм 25 мм. (корпус замка)



(Standard Pin)                  (Security Pin)		KA Usage Length	A	B	C	D	E			
V.110.021.225.200	V.110.021.925.200	210-280	210	-	-	-	50,5	2	1	10
V.110.028.225.200	V.110.028.925.200	280-400	280	-	-	74	74	2	2	10
V.110.040.225.200	V.110.040.925.200	400-600	400	-	-	135	135	4	2	10
V.110.060.225.200	V.110.060.925.200	600-800	600	-	-	175	175	8	4	10
V.110.080.225.200	V.110.080.925.200	800-1000	800	-	-	275	275	8	4	10
V.110.100.225.200	V.110.100.925.200	1000-1200	1000	94	-	375	375	10	3	10
V.110.120.225.200	V.110.120.925.200	1200-1400	1200	94	-	475	475	10	3	10
V.110.140.225.200	V.110.140.925.200	1400-1600	1400	266	266	575	575	10	4	10
V.110.160.225.200	V.110.160.925.200	1600-1800	1600	300	300	675	675	12	4	10
V.110.180.225.200	V.110.180.925.200	1800-2000	1800	300	300	775	775	12	4	10
V.110.200.225.200	V.110.200.925.200	2000-2200	2000	300	300	875	875	12	4	10

## Sliding Espagnolette 25 mm Backset (Zamak Gearbox - Security Locking Pin) Раздвижной Механизм 25 мм. (корпус замка)



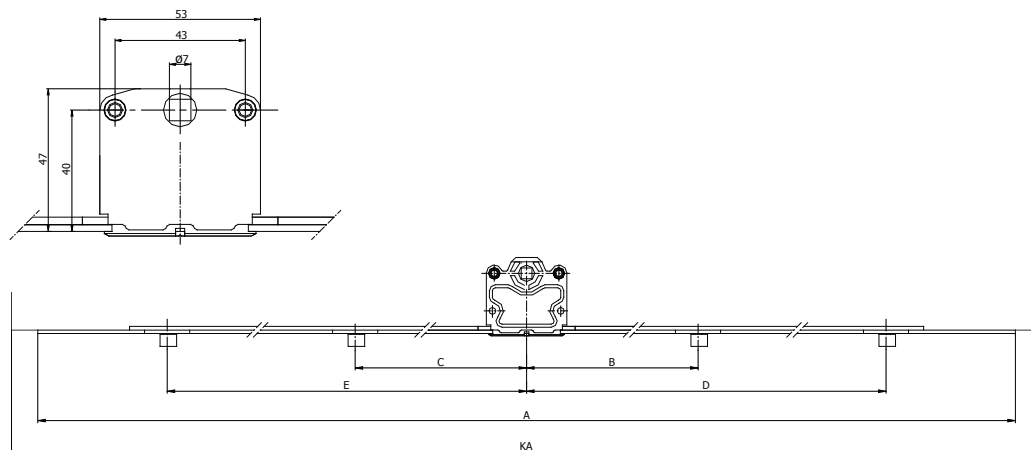
		KA Usage Length	A	B	C	D	E	F			
V.110.060.325.200		600-800	600	-	-	175	175	106,5	8	2	10
V.110.080.325.200		800-1000	800	-	-	275	275	166,5	8	2	10
V.110.100.325.200		1000-1200	1000	94	-	375	375	131,5	10	3	10
V.110.120.325.200		1200-1400	1200	94	-	475	475	166	10	3	10
V.110.140.325.200		1400-1600	1400	266	266	575	575	166	10	4	10
V.110.160.325.200		1600-1800	1600	300	300	675	675	200	12	4	10
V.110.180.325.200		1800-2000	1800	300	300	775	775	200	12	4	10
V.110.200.325.200		2000-2200	2000	300	300	875	875	200	12	4	10





# Side Hung Turn Only Systems

## Поворотная система



Turn Only Espagnolette 40 mm Backset (Zamak Gearbox - Standard Locking Pin)  
 Поворотный Механизм 40 мм. (корпус замка)

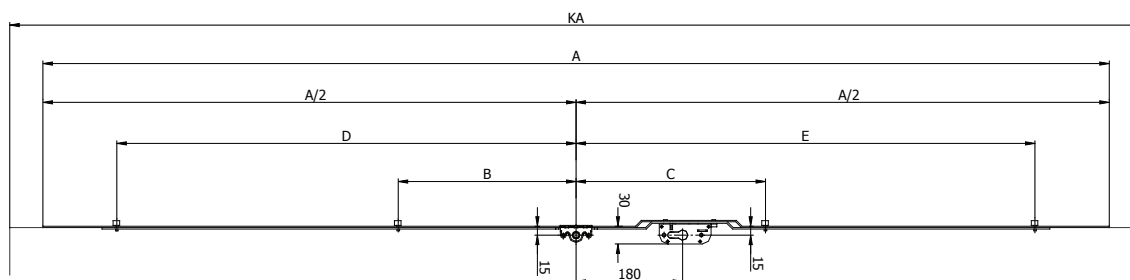
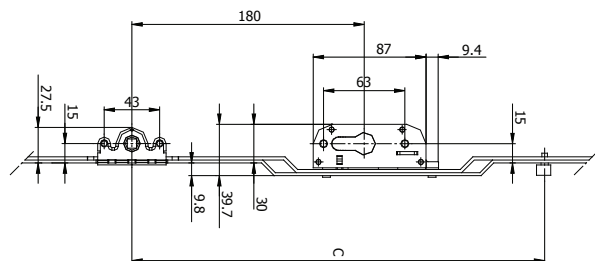






	Short Code	KA Length	A	B	C	D	E			
V.25.160.40.01	VTAD-7	1600-1800	1600	300	300	675	675	10	3	10
V.25.180.40.01	VTAD-8	1800-2000	1800	300	300	775	775	12	4	10
V.25.200.40.01	VTAD-9	2000-2200	2000	300	300	875	875	12	4	10

# Side Hung Turn Only Systems Поворотная система



Sliding Espagnolette 15 mm Backset (Zamak Gearbox - Standard Pin - Additional Lock)  
Раздвижной Механизм с Замком 15 мм. (корпус замка)



	<b>KA</b> Usage Length	<b>A</b>	<b>A/2</b>	<b>B</b>	<b>C</b>	<b>D</b>	<b>E</b>			
V.110.160.315.203	1600-1800	1600	800	-	-	675	675	10	3	10
V.110.180.315.203	1800-2000	1800	900	300	320	775	775	12	4	10
V.110.200.315.203	2000-2200	2000	1000	300	320	875	875	12	4	10



# Sliding Systems for Windows and Doors

## Раздвижная система

### 05.01.00 Tilt & Slide Systems

Откидная-раздвижная системы

### 05.02.00 15 mm T&T Espagnolette

Поворотно-Откидной Запор

### 05.03.00 Gear without Lockcase

Поворотный Запор без Корпуса

### 05.04.00 Semi - automatic Horizontal Extension lock

Дополнительный горизонтальный замок полуавтомат

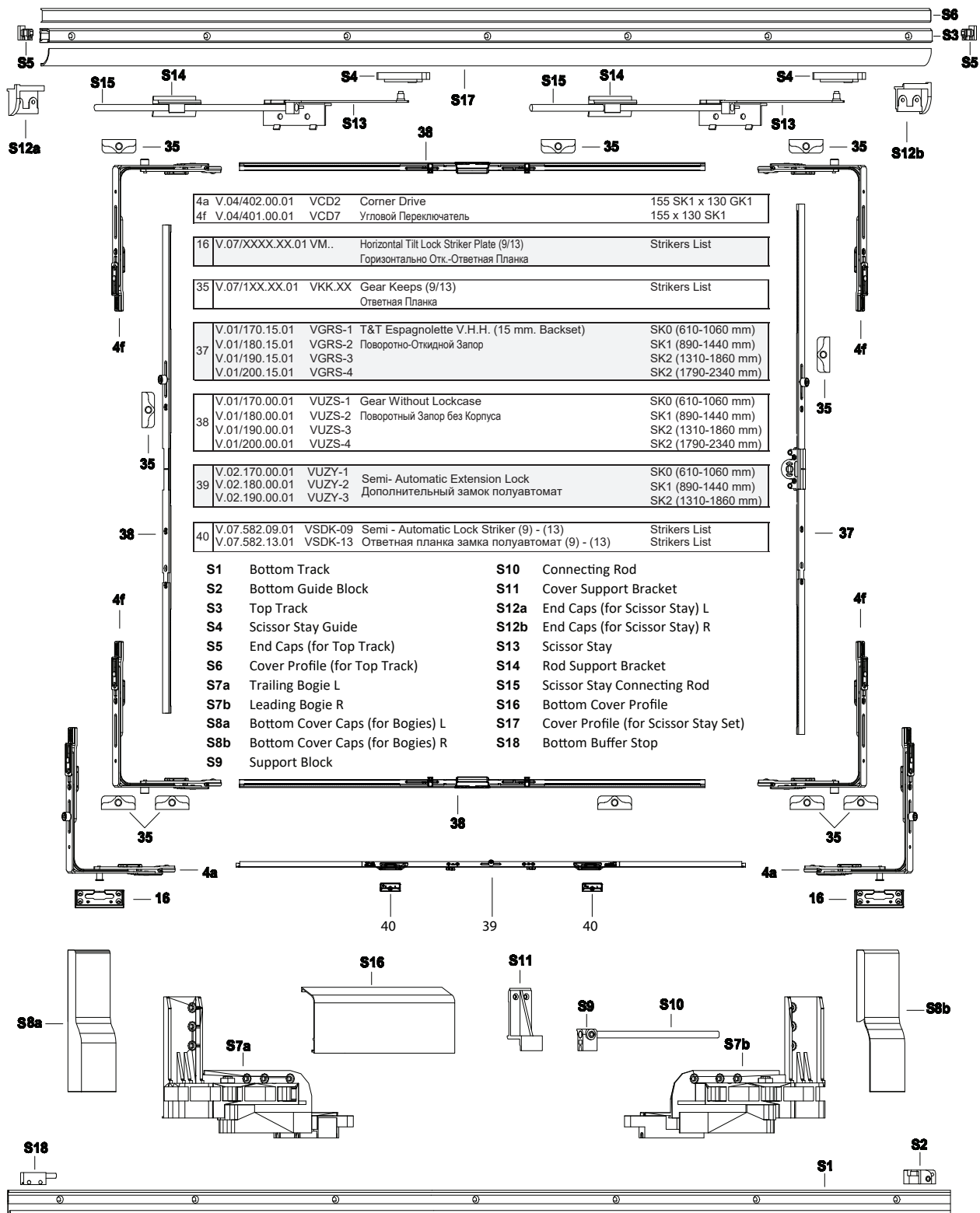
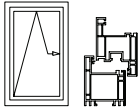
### 05.05.00 Lift & Slide Systems

Подъемно-сдвижная & Раздвижная системы



### System Groups / Tilt & Slide Systems / Manual -130 Kg

### Система групп / Раздвижная система / Мануэль - 130 Кг





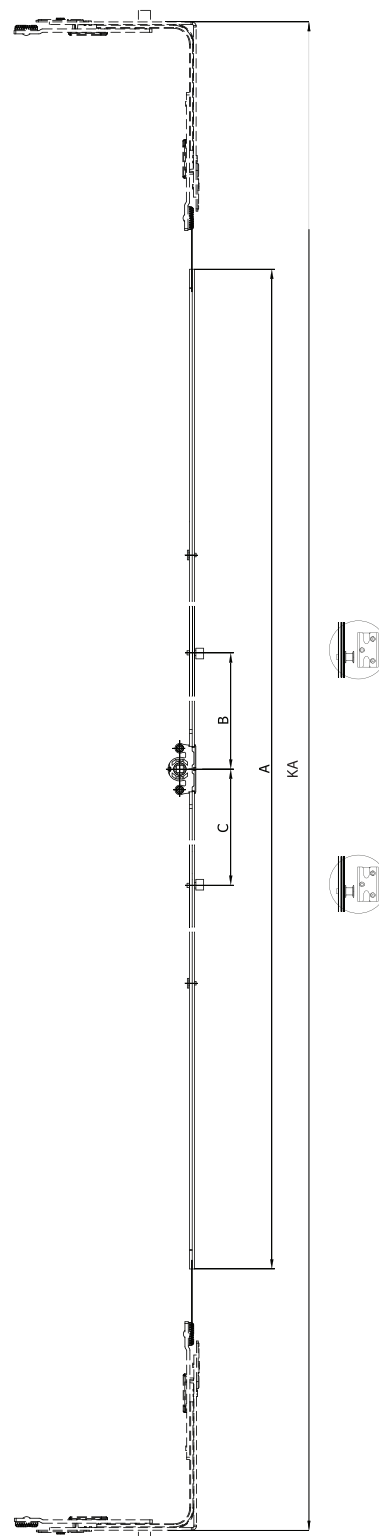
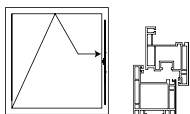
# Sliding Systems for Windows and Doors







## Раздвижная Система

VHS

### 15 mm T&T Espagnolette (Variable Handle Height)

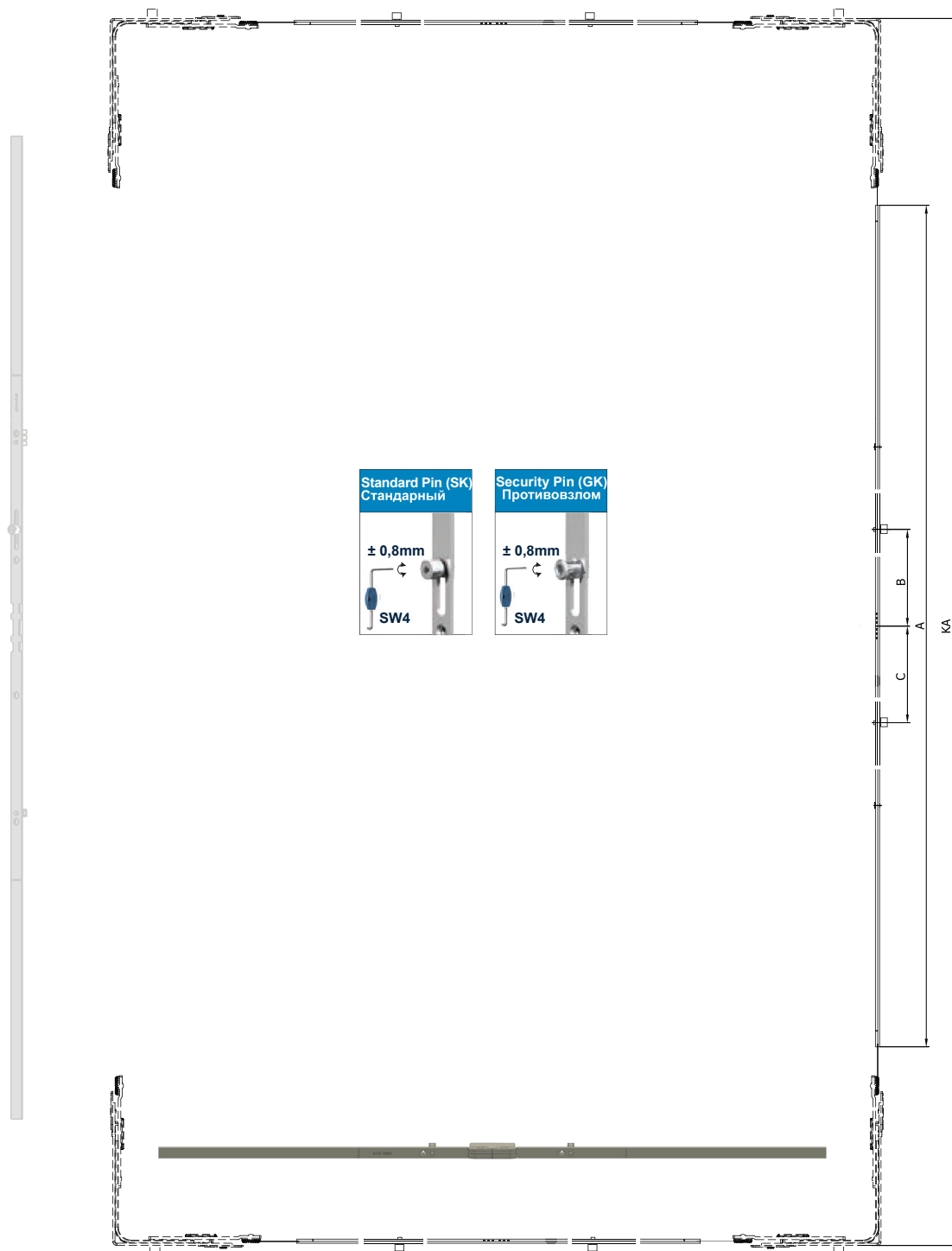
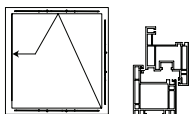
### Поворотно-Откидной Запор



 (Standard Pin)	 (Security Pin)	(Short Code)	 KA Usage Length	A	B	C			
V.01.180.15.01	V.01.180.01.01	VGRS-1	610-1060	750	-	-	2	0	10
V.01.190.15.01	V.01.190.01.01	VGRS-2	890-1440	1130	112,5	-	4	1	10
V.01.200.15.01	V.01.200.01.01	VGRS-3	1310-1860	1550	292,5	255	6	2	10
V.01.210.15.01	V.01.210.01.01	VGRS-4	1790-2340	2030	410	375	6	2	10

### Gear without Lockcase

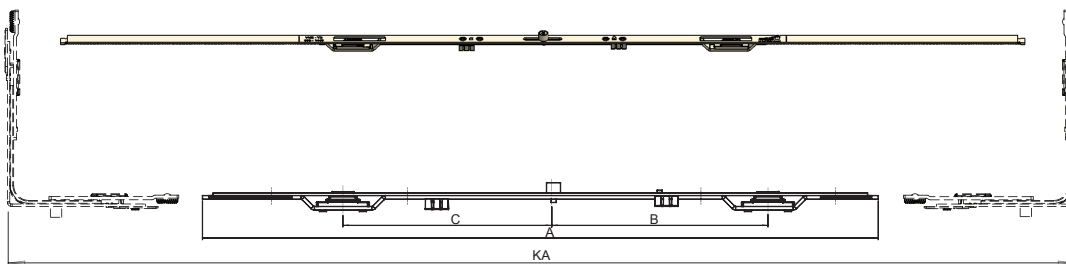
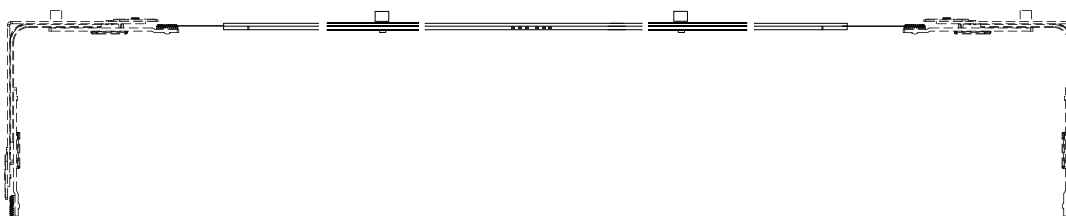
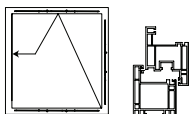
### Поворотный Запор без Корпуса



(Standard Pin)	(Security Pin)	(Short Code)	KA Usage Length	A	B	C			
V.01.170.00.01	V.01.170.02.01	VUZS-1	610-1060	750	-	-	2	0	20
V.01.180.00.01	V.01.180.02.01	VUZS-2	890-1440	1130	112,5	-	4	1	20
V.01.190.00.01	V.01.190.02.01	VUZS-3	1310-1860	1550	292,5	255	6	2	20
V.01.200.00.01	V.01.200.02.01	VUZS-4	1790-2340	2030	410	375	6	2	20

### Semi - automatic Horizontal Extension lock

### Откидная-раздвижная системы



(Standard Pin)	(Short Code)	KA Usage Length	A	B	C			
V.02.170.00.01	VUZY-1	610-1060	750	225	225	2	0	20
V.02.180.00.01	VUZY-2	890-1440	1130	225	225	4	1	20
V.02.190.00.01	VUZY-3	1310-1860	1550	225	225	6	2	20

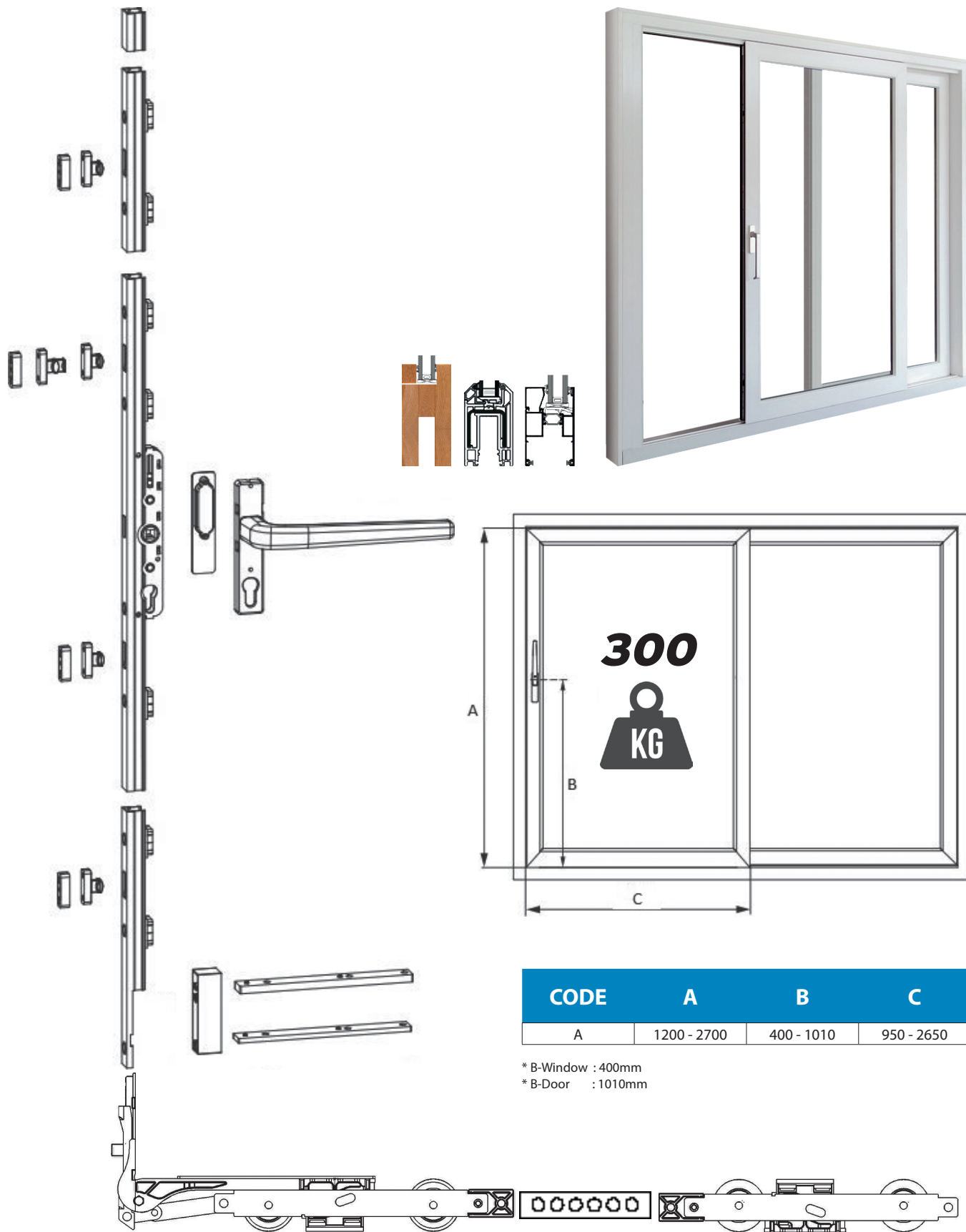
# Sliding Systems for Windows and Doors

## Раздвижная система



Lift & Slide Systems for PVC, Aluminium and WOODEN Doors

Подъемно-сдвижная & Раздвижная системы для ПВХ, Алюминиевых и Деревянных дверей



CODE	A	B	C
A	1200 - 2700	400 - 1010	950 - 2650

\* B-Window : 400mm  
 \* B-Door : 1010mm

# Multipoint Door Locks Многозапорные Замки

**06.01.00** Multipoint Door Locks for PVC Doors - Lever Operated  
Многозапорный Замок от Ручки

**06.02.00** Multipoint Door Locks for PVC Doors - Key Operated  
Многозапорный Замок от Цилиндра

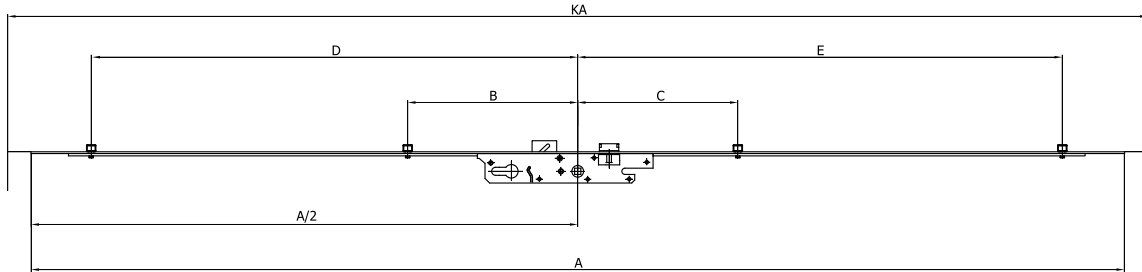
**06.03.00** Multipoint Door Locks for Aluminium Doors (Lever & Key Operated)  
Многозапорный Замок на Алюминиевый Профиль



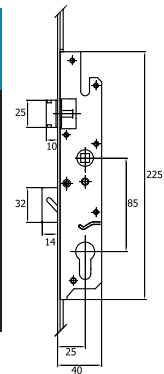
# Multipoint Door Locks Многозапорные Замки



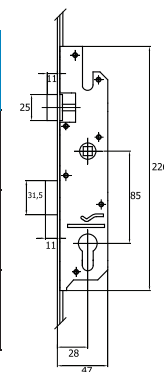
25/85 - 28/85 - 35/85 mm Multipoint Door Locks for PVC Doors - Lever Operated  
25/85 - 28/85 - 35/85 mm Многозапорный Замок от Ручки на ПВХ



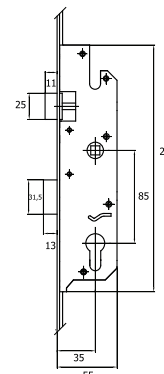
			KA Usage Length	A	A/2	B	C	D	E			
VLGR1.25.85	+	-	1600 mm - 1800 mm	1600	900	308	-	815	614	11	3	20
VLGRB1.25.85	-	-		1600	900	308	-	815	614	11	3	20
VLGRS1.25.85	+	+		1600	900	308	-	815	614	11	3	20
VLGR2.25.85	+	-	1800 mm - 2000 mm	1800	900	308	296	815	814	12	4	20
VLGRB2.25.85	-	-		1800	900	308	296	815	814	12	4	20
VLGRS2.25.85	+	+		1800	900	308	296	815	814	12	4	20
VLGR3.25.85	+	-	2000 mm - 2200 mm	2000	1000	308	296	875	875	12	4	20
VLGRB3.25.85	-	-		2000	1000	308	296	875	875	12	4	20
VLGRS3.25.85	+	+		2000	1000	308	296	875	875	12	4	20



			KA Usage Length	A	A/2	B	C	D	E			
VLGR1.28.85	+	-	1600 mm - 1800 mm	1600	900	308	-	815	614	11	3	20
VLGRB1.28.85	-	-		1600	900	308	-	815	614	11	3	20
VLGRS1.28.85	+	+		1600	900	308	-	815	614	11	3	20
VLGR2.28.85	+	-	1800 mm - 2000 mm	1800	900	308	296	815	814	12	4	20
VLGRB2.28.85	-	-		1800	900	308	296	815	814	12	4	20
VLGRS2.28.85	+	+		1800	900	308	296	815	814	12	4	20
VLGR3.28.85	+	-	2000 mm - 2200 mm	2000	1000	308	296	875	875	12	4	20
VLGRB3.28.85	-	-		2000	1000	308	296	875	875	12	4	20
VLGRS3.28.85	+	+		2000	1000	308	296	875	875	12	4	20



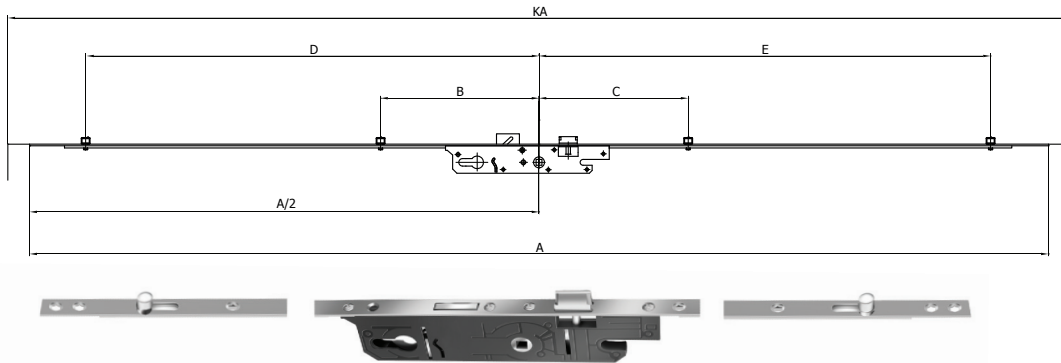
			KA Usage Length	A	A/2	B	C	D	E			
VLGR1.35.85	+	-	1600 mm - 1800 mm	1600	800	308	-	815	614	11	3	20
VLGRB1.35.85	-	-		1600	800	308	-	815	614	11	3	20
VLGRS1.35.85	+	+		1600	800	308	-	815	614	11	3	20
VLGR2.35.85	+	-	1800 mm - 2000 mm	1800	900	308	296	815	814	12	4	20
VLGRB2.35.85	-	-		1800	900	308	296	815	814	12	4	20
VLGRS2.35.85	+	+		1800	900	308	296	815	814	12	4	20
VLGR3.35.85	+	-	2000 mm - 2200 mm	2000	1000	308	296	875	875	12	4	20
VLGRB3.35.85	-	-		2000	1000	308	296	875	875	12	4	20
VLGRS3.35.85	+	+		2000	1000	308	296	875	875	12	4	20



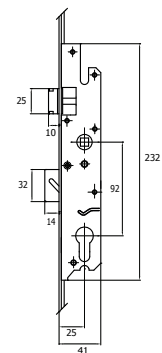
# Multipoint Door Locks Многозапорные Замки



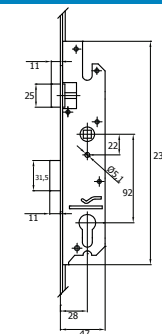
25/92 - 28/92 - 35/92 - 45/92 mm Multipoint Door Locks for PVC Doors - Lever Operated  
25/92 - 28/92 - 35/92 - 45/92 mm Многозапорный Замок от Ручки на ПВХ



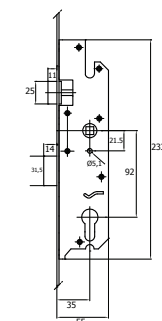
		Shopping Cart	Key	Installation	KA	Usage Length	A	A/2	B	C	D	E	Screw	Ruler	Wrench
VLGR1.25.92	+	-	1600 mm - 1800 mm	1600	800	308	-	815	614	11	3	10			
VLGRB1.25.92	-	-		10											
VLGRS1.25.92	+	+		10											
VLGR2.25.92	+	-	1800 mm - 2000 mm	1800	900	308	298	815	814	12	4	10			
VLGRB2.25.92	-	-		10											
VLGRS2.25.92	+	+		10											
VLGR3.25.92	+	-	2000 mm - 2200 mm	2000	1000	308	298	875	875	12	4	10			
VLGRB3.25.92	-	-		10											
VLGRS3.25.92	+	+		10											



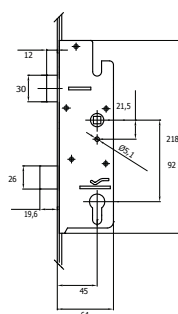
		Shopping Cart	Key	Installation	KA	Usage Length	A	A/2	B	C	D	E	Screw	Ruler	Wrench
VLGR1.28.92	+	-	1600 mm - 1800 mm	1600	800	308	-	815	614	11	3	10			
VLGRB1.28.92	-	-		10											
VLGRS1.28.92	+	+		10											
VLGR2.28.92	+	-	1800 mm - 2000 mm	1800	900	308	298	815	814	12	4	10			
VLGRB2.28.92	-	-		10											
VLGRS2.28.92	+	+		10											
VLGR3.28.92	+	-	2000 mm - 2200 mm	2000	1000	308	298	875	875	12	4	10			
VLGRB3.28.92	-	-		10											
VLGRS3.28.92	+	+		10											



		Shopping Cart	Key	Installation	KA	Usage Length	A	A/2	B	C	D	E	Screw	Ruler	Wrench
VLGR1.35.92	+	-	1600 mm - 1800 mm	1600	800	308	-	815	614	11	3	10			
VLGRB1.35.92	-	-		10											
VLGRS1.35.92	+	+		10											
VLGR2.35.92	+	-	1800 mm - 2000 mm	1800	900	308	296	815	814	12	4	10			
VLGRB2.35.92	-	-		10											
VLGRS2.35.92	+	+		10											
VLGR3.35.92	+	-	2000 mm - 2200 mm	2000	1000	308	296	875	875	12	4	10			
VLGRB3.35.92	-	-		10											
VLGRS3.35.92	+	+		10											



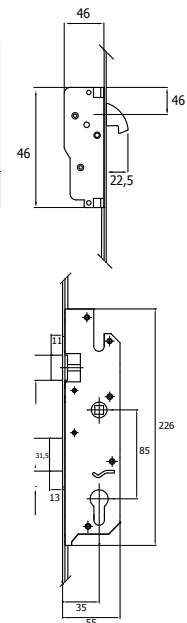
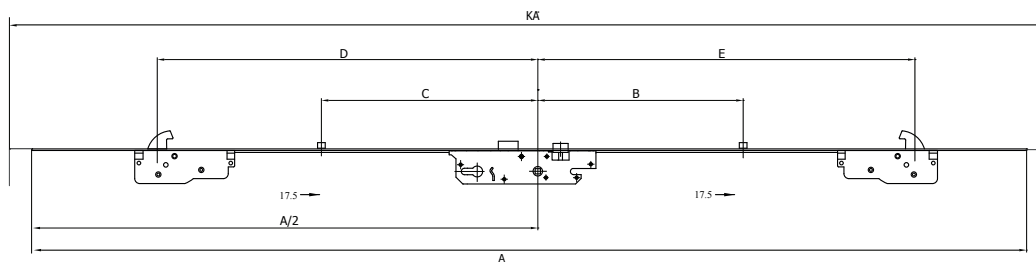
		Shopping Cart	Key	Installation	KA	Usage Length	A	A/2	B	C	D	E	Screw	Ruler	Wrench
VLGR1.45.92	+	-	1600 mm - 1800 mm	1600	800	308	-	815	614	11	3	9			
VLGRB1.45.92	-	-		9											
VLGRS1.45.92	+	+		9											
VLGR2.45.92	+	-	1800 mm - 2000 mm	1800	900	308	296	815	814	12	4	9			
VLGRB2.45.92	-	-		9											
VLGRS2.45.92	+	+		9											
VLGR3.45.92	+	-	2000 mm - 2200 mm	2000	1000	308	296	875	875	12	4	9			
VLGRB3.45.92	-	-		9											
VLGRS3.45.92	+	+		9											



# Multipoint Door Locks Многозапорные Замки

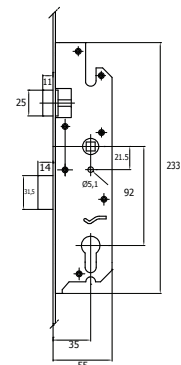


## 35/85 mm Security Multipoint Door Lock for PVC Doors with Hook - Lever Operated 35/85 mm Многозапорный Замок от Ручки с Зацепом на ПВХ



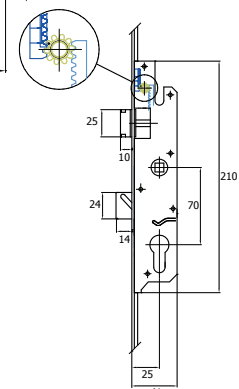
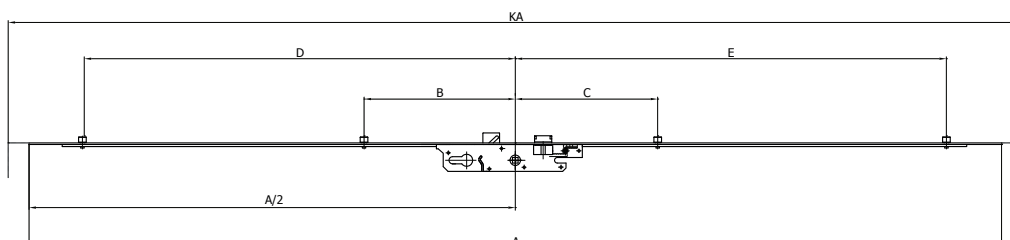
				KA	Usage Length	A	A/2	B	C	D	E				
VLGRH2.35.85	+	+			1800 mm - 2000 mm	1800	900	308	296	815	814	12	2	2	10
VLGRH3.35.85	+	+			2000 mm - 2200 mm	2000	1000	308	296	875	875	12	2	2	10

## 35/92 mm Security Multipoint Door Lock for PVC Doors with Hook - Lever Operated 35/92 mm Многозапорный Замок от Ручки с Зацепом на ПВХ



				KA	Usage Length	A	A/2	B	C	D	E				
VLGRH2.35.92	+	+			1800 mm - 2000 mm	1800	900	308	296	815	814	12	2	2	10
VLGRH3.35.92	+	+			2000 mm - 2200 mm	2000	1000	308	296	875	875	12	2	2	10

## 25/70 mm Reversing Multipoint Door Lock for PVC Doors - Lever Operated 25/70 mm Многозапорный Замок от Ручки с Противоположным Запором на ПВХ



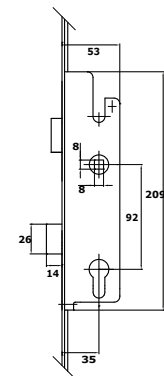
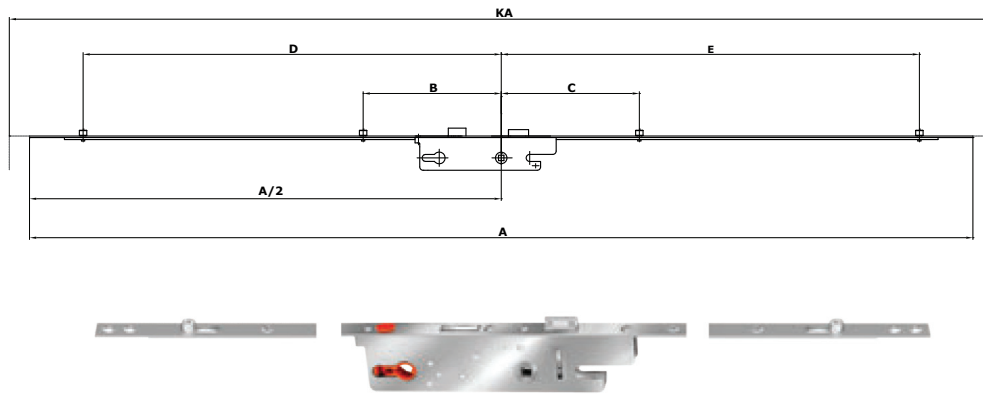
				KA	Usage Length	A	A/2	B	C	D	E				
VLGRR1.25.70	+	+			1600 mm - 1800 mm	1600	900	308	-	815	614	11	3	10	
VLGRR2.25.70	+	+			1800 mm - 2000 mm	1800	900	308	298	814	814	12	4	10	
VLGRR3.25.70	+	+			2000 mm - 2200 mm	2000	1000	308	298	875	875	12	4	10	



# Multipoint Door Locks Многозапорные Замки

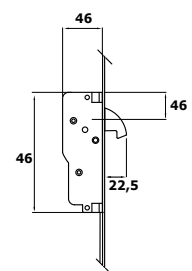
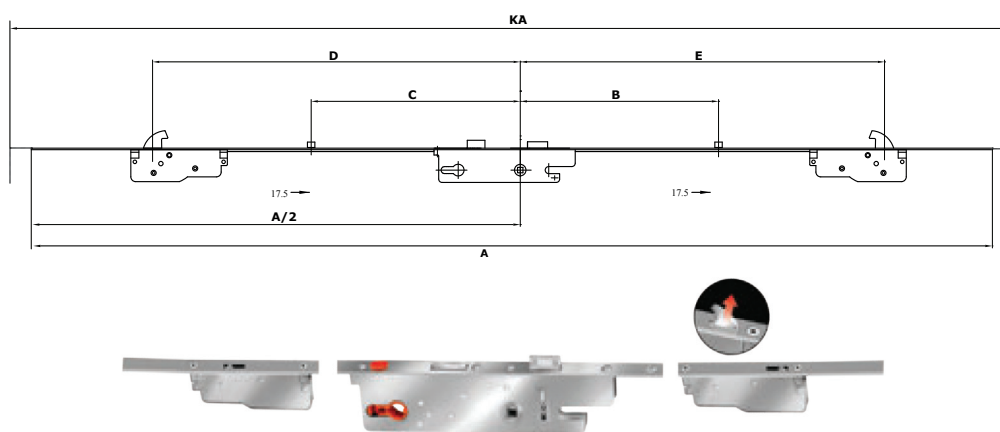


## 35/92 mm Multipoint Door Lock for PVC Doors - Key Operated 35/92mm Многозапорный Замок от Цилиндра на ПВХ

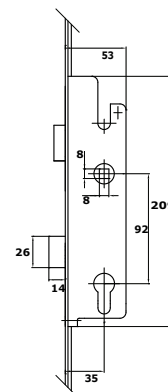


				KA	Usage Length	A	A/2	B	C	D	E				
VLGRK1.35.92	+	+	+	1600 mm - 1800 mm	1600	900	308	-	814	614	11	3	10		
VLGRK2.35.92	+	+	+	1800 mm - 2000 mm	1800	900	308	298	814	814	12	4	10		
VLGRK3.35.92	+	+	+	2000 mm - 2200 mm	2000	1000	302	305	875	875	14	4	10		

## 35/92 mm Security Multipoint Door Lock for PVC Doors with Hook - Key Operated 35/92 mm Многозапорный Замок от Цилиндра с Зацепом на ПВХ



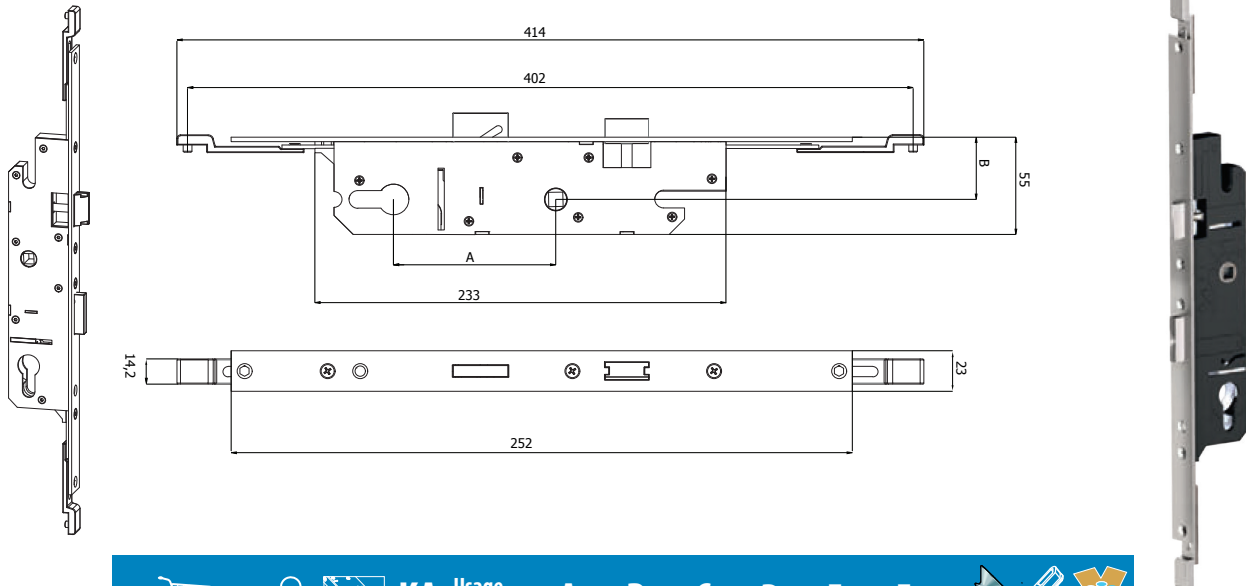
				KA	Usage Length	A	A/2	B	C	D	E				
VLGRKH2.35.92	+	+	+	1800 mm - 2000 mm	1800	900	308	296	815	814	12	2	2	10	
VLGRKH3.35.92	+	+	+	2000 mm - 2200 mm	2000	1000	308	296	875	875	12	2	2	10	



# Multipoint Door Locks Многозапорные Замки

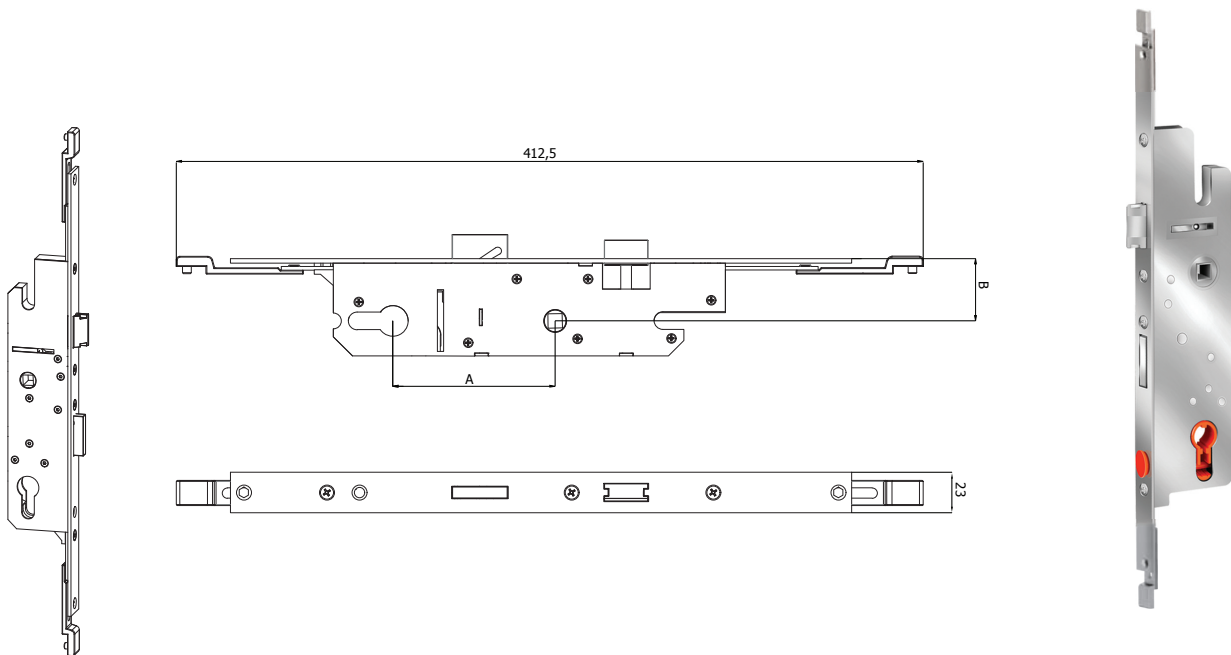


## Multipoint Door Lock for Aluminium Doors - Lever Operated Многозапорный Замок от Ручки на Алюминиевый Профиль



				KA	Usage Length	A	B	C	D	E	F			
VALGRS.28.85	+	+	-	-	85	28	-	-	-	-	-	-	-	10
VALGRS.35.85	+	+	-	-	85	35	-	-	-	-	-	-	-	10
VALGRS.28.92	+	+	-	-	92	28	-	-	-	-	-	-	-	10
VALGRS.35.92	+	+	-	-	92	35	-	-	-	-	-	-	-	10

## Multipoint Door Lock for Aluminium Doors - Key Operated Многозапорный Замок от Цилиндра на Алюминиевый Профиль



				KA	Usage Length	A	B	C	D	E	F			
VALGRK.35.92	+	+	-	-	92	35	-	-	-	-	-	-	-	10

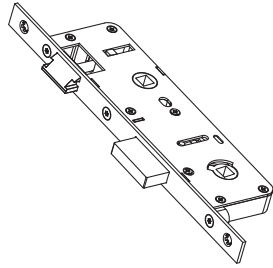
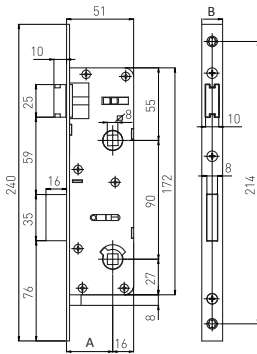
# Mortise Door Locks Врезной замок

- 07.01.00** Mortise Door Locks for PVC Doors  
Дверной Замок (ПВХ)
- 07.02.00** Mortise Door Lock for Aluminium Doors  
Дверной Замок (Алюминий)
- 07.03.00** Mortise Door Lock for Wooden (Timber) Doors  
Дверной Замок (Дерево)
- 07.04.00** Cylinders  
Цилиндр



# Mortise Door Locks Врезной замок

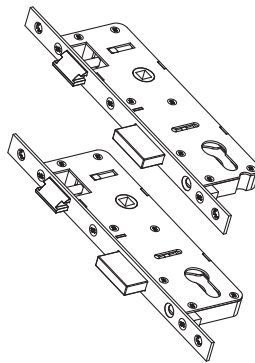
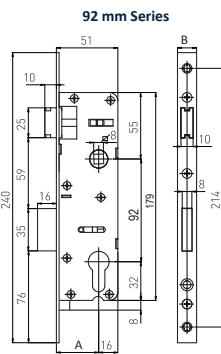
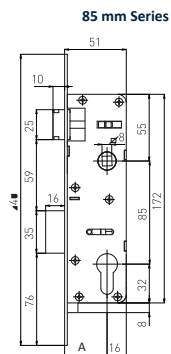
## Bathroom & WC Mortise Door Lock for PVC Doors Дверной Замок для WC (ПВХ)



		A	B	
V.1625.90.01		25	16	40
V.1630.90.01		30	16	40
V.1635.90.01		35	16	50
V.1640.90.01		40	16	40



## Mortise Door Lock for PVC Doors Дверной Замок 85-92 (ПВХ)

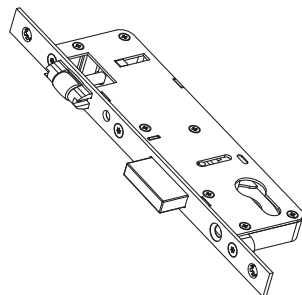
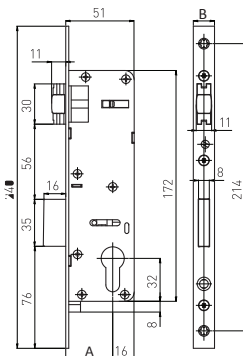


		A	B	
V.1620.85.01		20	16	40
V.1625.85.01		25	16	40
V.1630.85.01		30	16	40
V.1635.85.01		35	16	50
V.1645.85.01		45	16	40

		A	B	
V.1625.92.01		25	16	40
V.1630.92.01		30	16	40
V.1635.92.01		35	16	50
V.1640.92.01		40	16	40



## Mortise Door Lock with Roller Latch for PVC Doors Дверной Замок с Роликом (ПВХ)



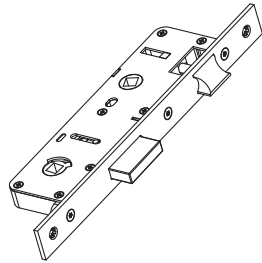
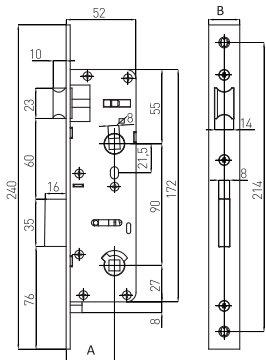
		A	B	
V.1620.00.01		20	16	40
V.1625.00.01		25	16	40
V.1630.00.01		30	16	40
V.1635.00.01		35	16	40





# Mortise Door Locks Врезной замок



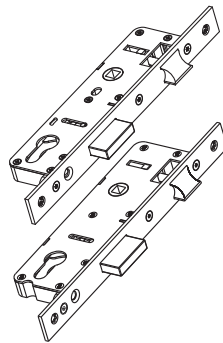
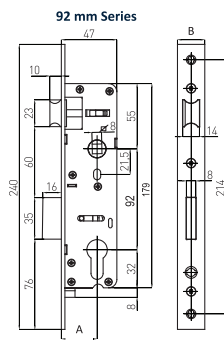
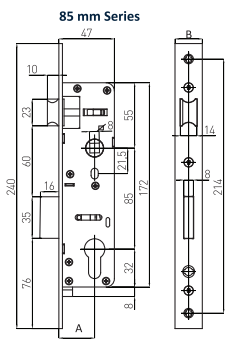
## Bathroom & WC Mortise Door Lock for Aluminium Doors Дверной Замок для WC (Алюминий)







		A	B	
V.2325.90.01		25	23	30
V.2335.90.01		35	23	30



## Mortise Door Lock for Aluminium Doors Дверной Замок 85-92 (Алюминий)

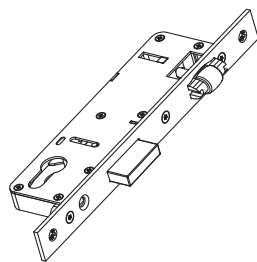
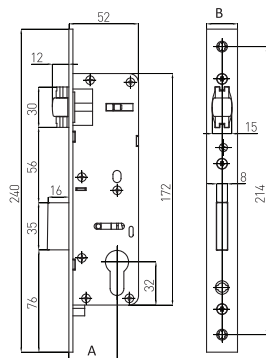




		A	B	
V.2320.85.01		20	23	30
V.2325.85.01		25	23	30
V.2330.85.01		30	23	30
V.2335.85.01		35	23	30
V.2345.85.01		45	23	30

		A	B	
V.2330.92.01		30	23	30
V.2335.92.01		35	23	30



## Mortise Door Lock with Roller Latch for Aluminium Doors Дверной Замок с Роликом (Алюминий)



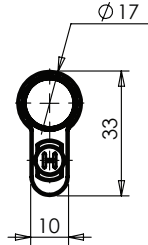
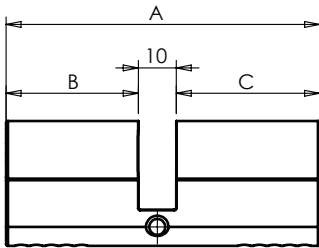
		A	B	
V.2320.00.01		20	23	30
V.2325.00.01		25	23	30
V.2330.00.01		30	23	30
V.2335.00.01		35	23	30










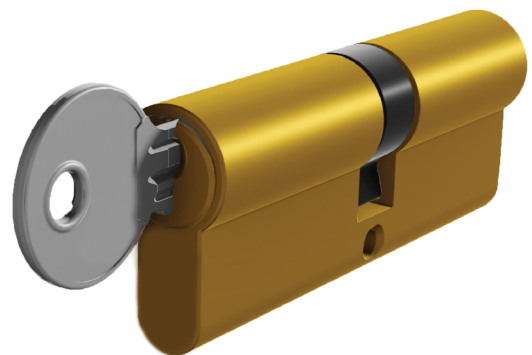
# Mortise Door Locks Врезной замок







## Cylinders Цилиндр



 Brass Keys 		 Zamak Keys 		Product	A	B	C			
H.01.68.2632.01.01.02.01	H.02.68.2632.01.01.02.01	Zamak	68	26	32	1	2	120		
H.01.68.2632.01.01.03.01	H.02.68.2632.01.01.03.01	Zamak	68	26	32	1	3	120		
H.01.83.3538.01.01.02.01	H.02.83.3538.01.01.02.01	Zamak	83	35	38	1	2	120		
H.01.83.3538.01.01.03.01	H.02.83.3538.01.01.03.01	Zamak	83	35	38	1	3	120		
H.01.90.3545.01.01.02.01	H.02.90.3545.01.01.02.01	Zamak	90	35	45	1	2	120		
H.01.90.3545.01.01.03.01	H.02.90.3545.01.01.03.01	Zamak	90	35	45	1	3	120		
H.01.90.3842.01.01.02.01	H.02.90.3842.01.01.02.01	Zamak	90	38	42	1	2	120		
H.01.90.3842.01.01.03.01	H.02.90.3842.01.01.03.01	Zamak	90	38	42	1	3	120		
H.01.90.4040.01.01.02.01	H.02.90.4040.01.01.02.01	Zamak	90	40	40	1	2	120		
H.01.90.4040.01.01.03.01	H.02.90.4040.01.01.03.01	Zamak	90	40	40	1	3	120		
H.01.10.4252.01.01.02.01	H.02.10.4252.01.01.02.01	Zamak	104	42	52	1	2	120		
H.01.10.4252.01.01.03.01	H.02.10.4252.01.01.03.01	Zamak	104	42	52	1	3	120		



	Product	A			
V.116.68.01	Brass	68	1	2	120
V.116.83.01	Brass	83	1	2	100
V.116.90.01	Brass	90	1	2	100
V.116.10.01	Brass	100	1	2	100

## Strikers Ответная планка

- 08.01.00** Adjustable Door Lock Strikers  
Регулируемые ответные планки
- 08.02.00** Aluminium Door Lock Strikers  
Встречная Планка Замка на Алюминий
- 08.03.00** Gear Keeps  
Ответная Планка





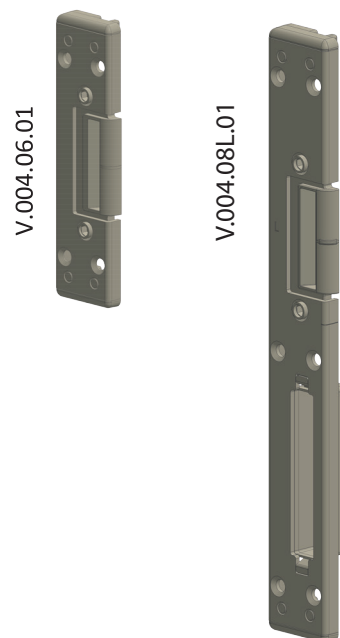
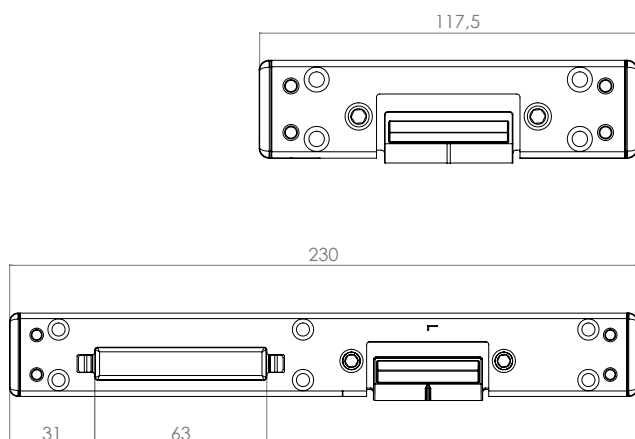


# Strikers

## Ответная планка

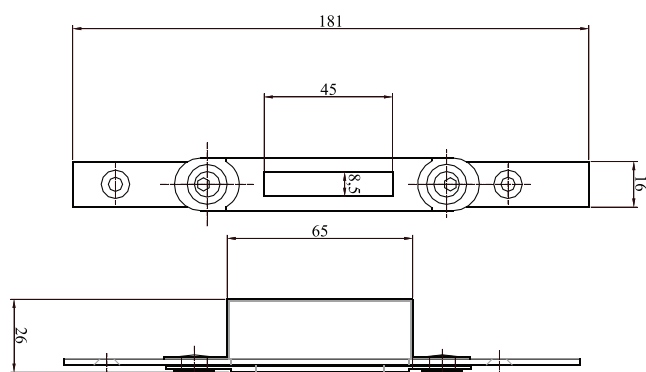


Adjustable Door Lock Striker (Short/Long) 9-13 mm R/L  
 Регулируемые ответные планки длинные / короткие



	Axis		
V.004.05.01	9	4	125
V.004.06.01	13	4	125
V.004.07R.01	9	6	200
V.004.07L.01	9	6	200
V.004.08R.01	13	6	100
V.004.08L.01	13	6	100

Striker for Multipoint Door Lock with Hook  
 Ответная планка многозапорного замка с зацепом



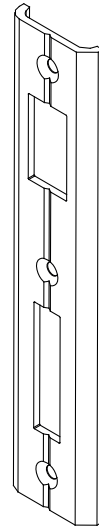
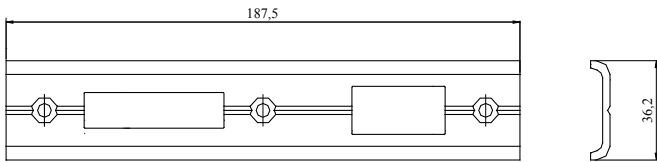
	Axis		
V.004.10.01	9	2	100
V.004.11.01	13	2	100

# Strikers

## Ответная планка

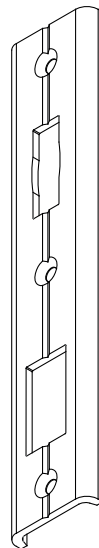
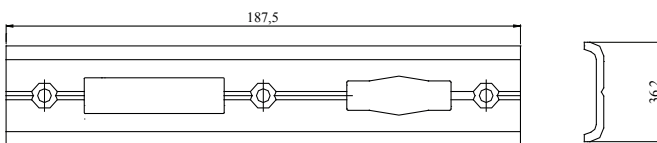


### Aluminium Door Lock Striker (Standard) Встречная Планка Замка на Алюминий (стандартная)



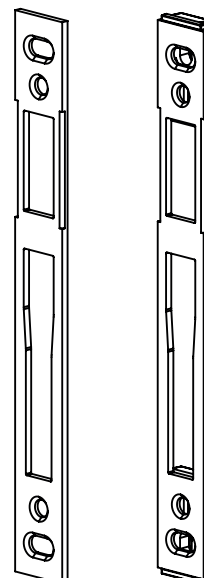
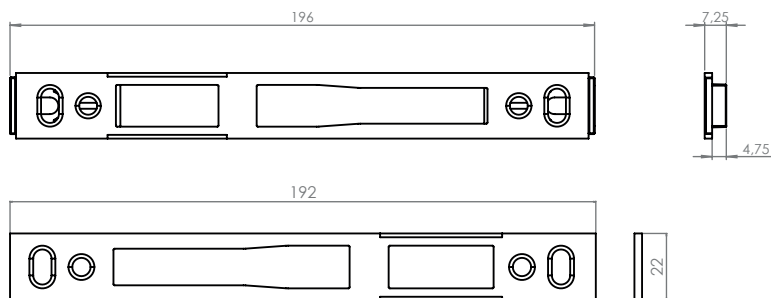
<b>Product</b> <b>RAL</b>				
V.004.15.01	Standard	Silver	3	100

### Aluminium Door Lock Striker (Roller) Встречная Планка Замка на Алюминий (под ролик)



<b>Product</b> <b>RAL</b>				
V.004.14.01	Roller	Silver	3	100

### Aluminium Door Lock Striker / Plastic Clips Регулируемая встречная планка Замка на Алюминий / С Пласт. Частью



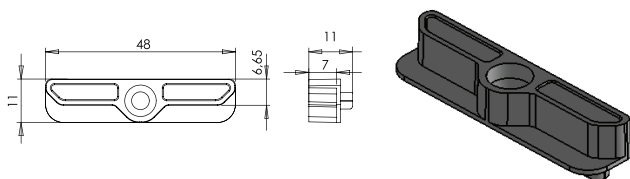
<b>Product</b> <b>RAL</b>				
V.004.23.01	Standard	Silver	4	450
V.004.24.01	Standard	Silver	4	450

# Strikers

## Ответная планка



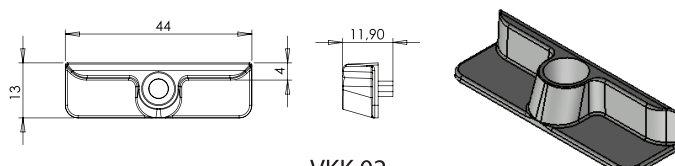
### Rehau Gear Keep (Universal) Ответная Планка - (Rehau Универсальная)



VKK 01

	<b>Axis</b>		
V.002.01.01	13	1	1000

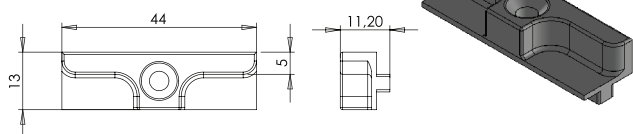
### Firat Gear Keep (Universal) Ответная Планка - (Firat Универсальная)



VKK 02

	<b>Axis</b>		
V.002.02.01	9	1	1000

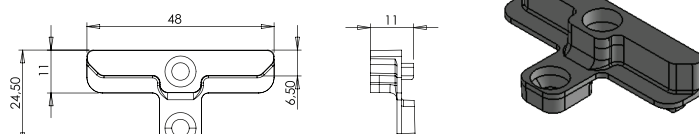
### KBE Gear Keep Ответная Планка - (KBE)



VKK 03

	<b>Axis</b>		
V.002.03.01	9	1	1000

### Rehau Gear Keep Ответная Планка - (Rehau)



VKK 04

	<b>Axis</b>		
V.002.04.01	13	2	1000

### Sliding Gear Keep (Steel) Ответная Планка Раздвижная (Сталь)



VKK 05  
(V.003.01.01)



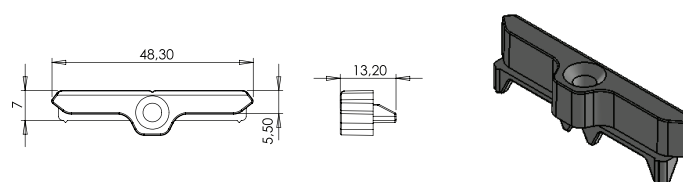
VKK 05a (with teeth)  
(V.003.02.01)



Sliding Centering Part

	<b>Axis</b>		
V.003.01.01	-	2	1000
V.003.02.01	-	2	1000
V.004.13.01	-	2	250

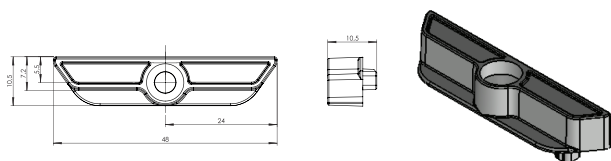
### Roplasto Gear Keep (Universal) Ответная Планка - (Roplasto Универсальная)



VKK 06

	<b>Axis</b>		
V.002.06.01	13	1	1000

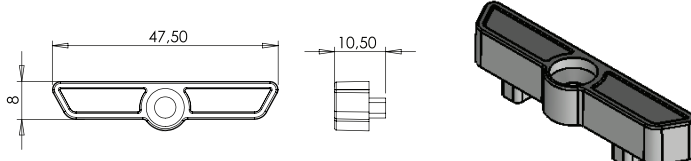
### Rehau Gear Keep Ответная Планка - Rehau



VKK 07

	<b>Axis</b>		
V.002.07.01	13	2	1000

### Espagnolette Gear Keep Ответная Планка



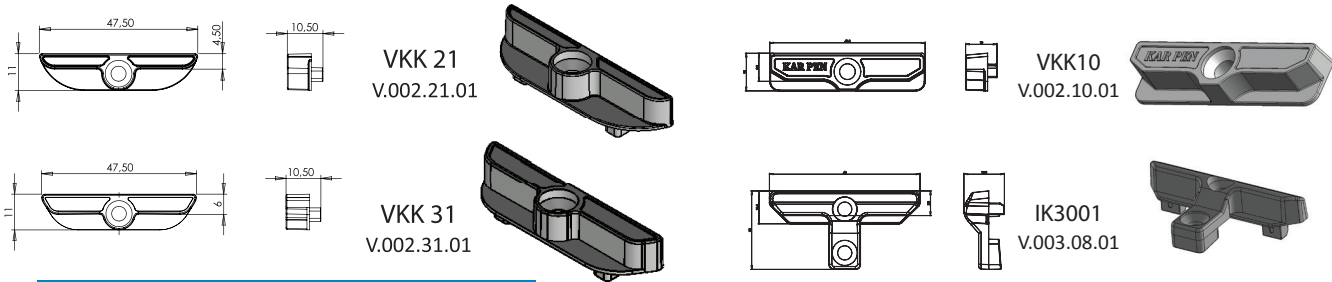
VKK 11

	<b>Axis</b>		
V.002.11.01	13	1	1000

# Strikers Ответная планка



## Espagnolette Gear Keep Ответная Планка



	Axis
V.002.21.01	9 1 1000
V.002.31.01	9 1 1000
V.003.08.01	13 2 500
V.002.10.01	13 1 1000

## Sliding Gear Keep (Zamak) Ответная Планка Раздвижная (Цинковая)



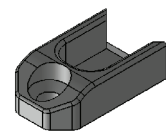
	Axis
V.003.03.01	- 2 1000

## Security Gear Keep Ответная Планка Противовзломная



	Axis
V.002.09.01	13 3 500

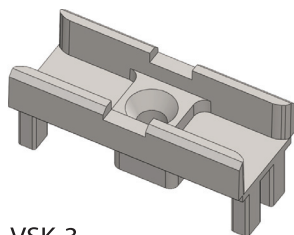
## Stulp Striker Ответная Планка Манжеты



VSK

	Axis
V.07.581.00.01	- 1 1000

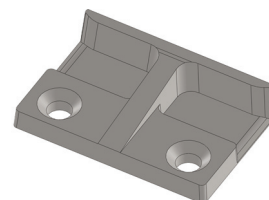
## Stulp Striker Symmetrical Отв. Планка Для Штульпа Симм.



VSK-3

	Axis
V.07.581.03.01	- 1 1000

## Stulp Striker (Assembled on Lever Arm Gear) Отв. Планка Для Штульпового Запора



VSK-4

	Axis
V.07.581.04.01	- 2 500

# Window & Door Handles Оконные Ручки и Нажимные Гарнитур

## **09.00.00** Product Coding System for Door Handles

Схема Продукций

## **09.01.00** Aluminium Door Handles

Дверные Нажимные Гарнитур

## **09.02.01** Window Handles

Дверные Нажимные Гарнитур

## **09.03.00** Other Handles

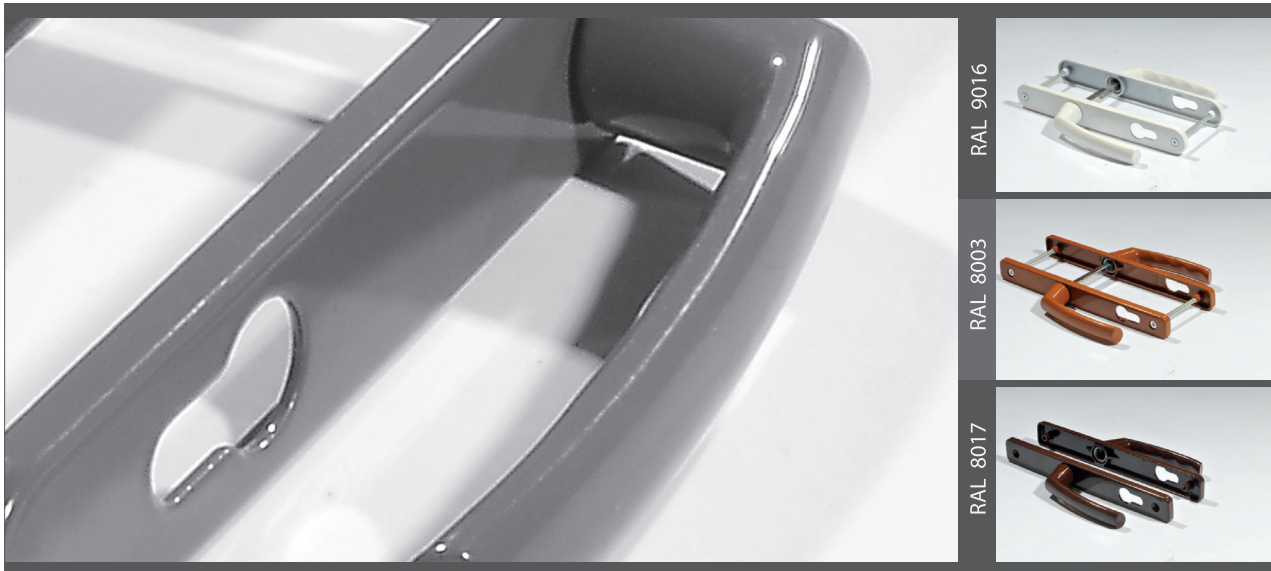
Другие Ручки



# Window & Door Handles Оконные Ручки и Нажимные Гарнитурсы



## Product Coding System for Door Handles Схема Продукций



V.(0)(0)(00).(A)(B).(XX)



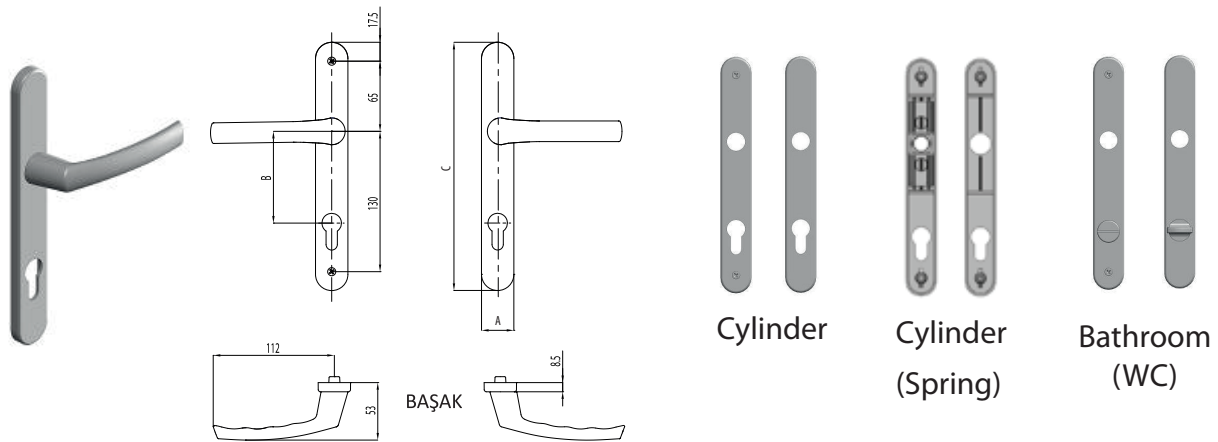
## Colour Scale Цветовая Шкала

(XX)	COLOURS/ ВЫБОР ЦВЕТОВ
03	White - RAL 9016 / белый
04	Dark Brown - RAL 8017 / темно-коричневый
05	Light Brown - RAL 8003 / светло-коричневый
06	Beige - RAL 9001 / бежевый
07	Grey - RAL 9006 / серый
08	Grey Brown - RAL 8019 / серо-коричневый
09	Black Brown - RAL 8022 / коричневый
10	Silver / серебро
11	Gold / золото
12	Bronze / бронза
13	Champagne / шампанья
14	Titan / титан

# Window & Door Handles Оконные Ручки и Нажимные Гарнитур

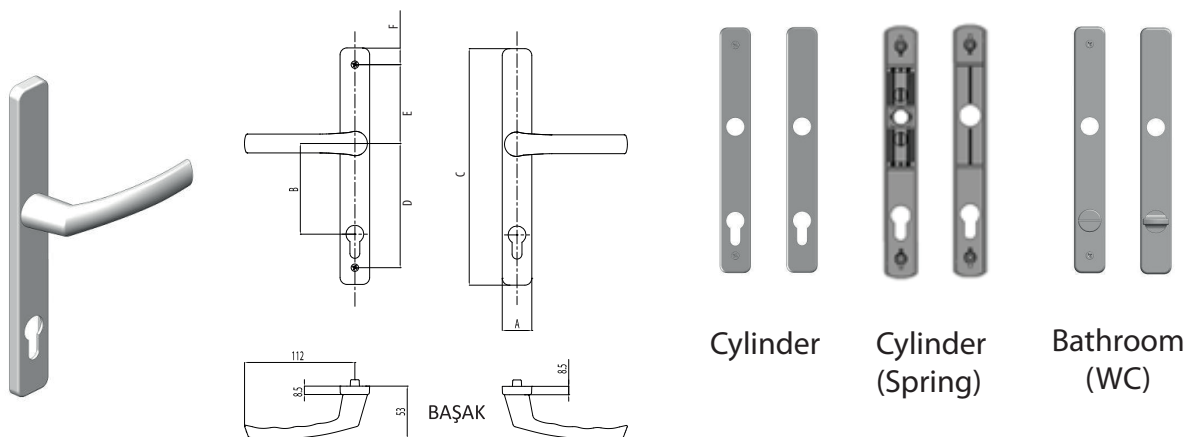


## Aluminium Door Handle - BAŞAK (Round Plate) Дверные Нажимные Гарнитур - BAŞAK (Овальное)



		Spring	A	B	C	Spindle Square	Screw Length(M5)	Spindle Length		
V.0113.AB.XX	+	-	26	70/85/92	215	8	70/80/90	130	2	30
V.0114.A90.XX	-	-	26	90	215	8	70/80/90	130	2	30
V.0113.AB.XX	+	-	30/35	70/85/92	220	8	70/80/90	130	2	30
V.0114.A90.XX	-	-	30/35	90	220	8	70/80/90	130	2	30
V.0115.AB.XX	+	+	30/35	70/85/92	220	8	70/80/90	130	2	30
V.0116.A90.XX	-	+	30/35	90	220	8	70/80/90	130	2	30

## Aluminium Door Handle - BAŞAK (Rectangular Plate) Дверные Нажимные Гарнитур - BAŞAK (Квадратное)

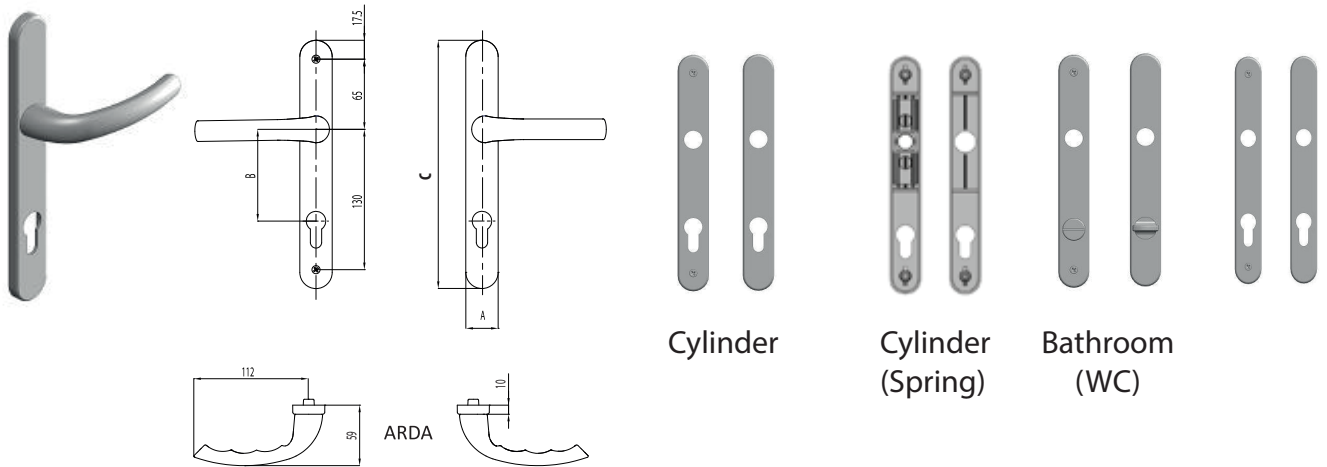


		Spring	A	B	C	Spindle Square	Screw Length(M5)	Spindle Length		
V.0115.AB.XX	+	+	26	70/85/92	215	8	70/80/90	130	2	30
V.0116.A90.XX	-	+	26	90	215	8	70/80/90	130	2	30
V.0113.AB.XX	+	-	26	70/85/92	215	8	70/80/90	130	2	30
V.0114.A90.XX	-	-	26	90	215	8	70/80/90	130	2	30
V.0113.AB.XX	+	-	30/35	70/85/92	220	8	70/80/90	130	2	30
V.0114.A90.XX	-	-	30/35	90	220	8	70/80/90	130	2	30
V.0115.AB.XX	+	+	30/35	70/85/92	220	8	70/80/90	130	2	30
V.0116.A90.XX	-	+	30/35	90	220	8	70/80/90	130	2	30

# Window & Door Handles Оконные Ручки и Нажимные Гарнитур

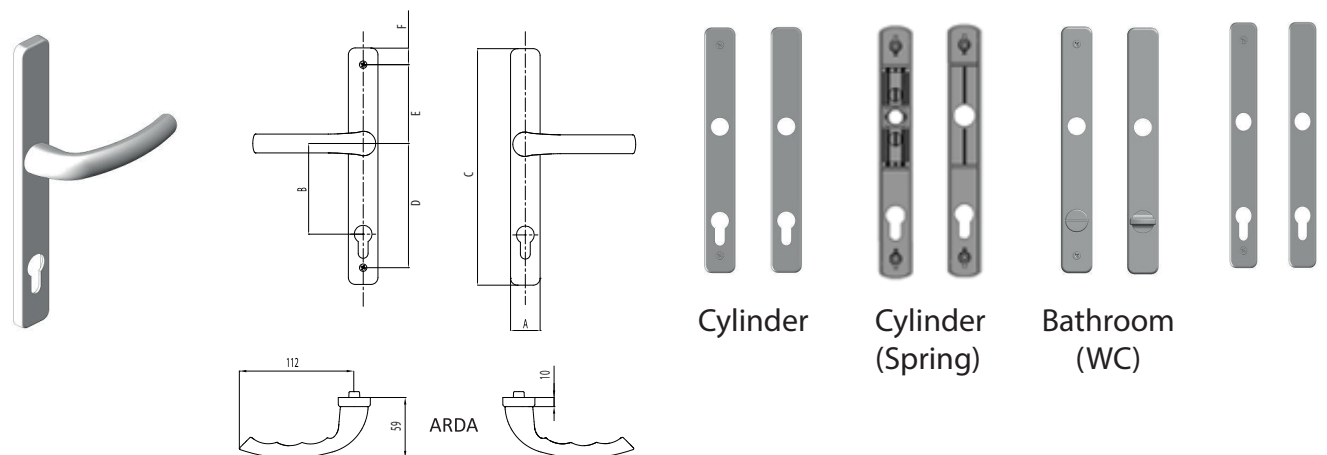


## Aluminium Door Handle - ARDA (Round Plate) Дверные Нажимные Гарнитур - ARDA (Овальное)



			Spring	A	B	C	Spindle Square	Screw Length(M5)	Spindle Length		
V.1113.AB.XX	+	-	26	70/85/92	215	8	70/80/90	130	2	30	
V.1114.A90.XX	-	-	26	90	215	8	70/80/90	130	2	30	
V.1113.AB.XX	+	-	30/35	70/85/92	220	8	70/80/90	130	2	30	
V.1114.A90.XX	-	-	30/35	90	220	8	70/80/90	130	2	30	
V.1115.AB.XX	+	+	30/35	70/85/92	220	8	70/80/90	130	2	30	
V.1116.A90.XX	-	+	30/35	90	220	8	70/80/90	130	2	30	

## Aluminium Door Handle - ARDA (Rectangular Plate) Дверные Нажимные Гарнитур - ARDA (Квадратное)



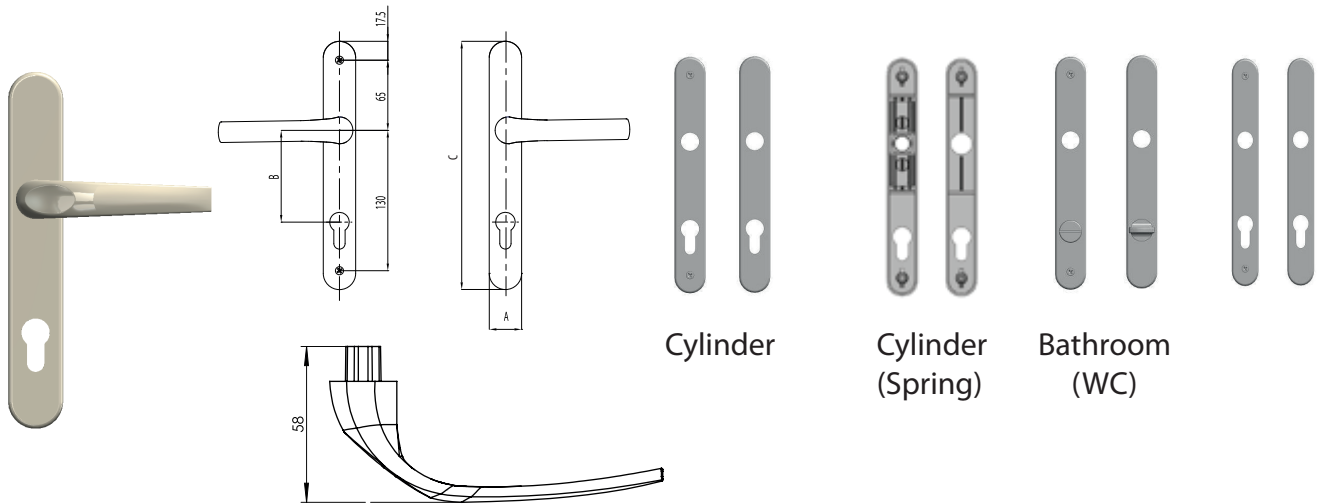
			Spring	A	B	C	Spindle Square	Screw Length(M5)	Spindle Length		
V.1115.AB.XX	+	+	26	70/85/92	215	8	70/80/90	130	2	30	
V.1116.A90.XX	-	+	26	90	215	8	70/80/90	130	2	30	
V.1113.AB.XX	+	-	26	70/85/92	215	8	70/80/90	130	2	30	
V.1114.A90.XX	-	-	26	90	215	8	70/80/90	130	2	30	
V.1113.AB.XX	+	-	30/35	70/85/92	220	8	70/80/90	130	2	30	
V.1114.A90.XX	-	-	30/35	90	220	8	70/80/90	130	2	30	
V.1115.AB.XX	+	+	30/35	70/85/92	220	8	70/80/90	130	2	30	
V.1116.A90.XX	-	+	30/35	90	220	8	70/80/90	130	2	30	



# Window & Door Handles Оконные Ручки и Нажимные Гарнитур

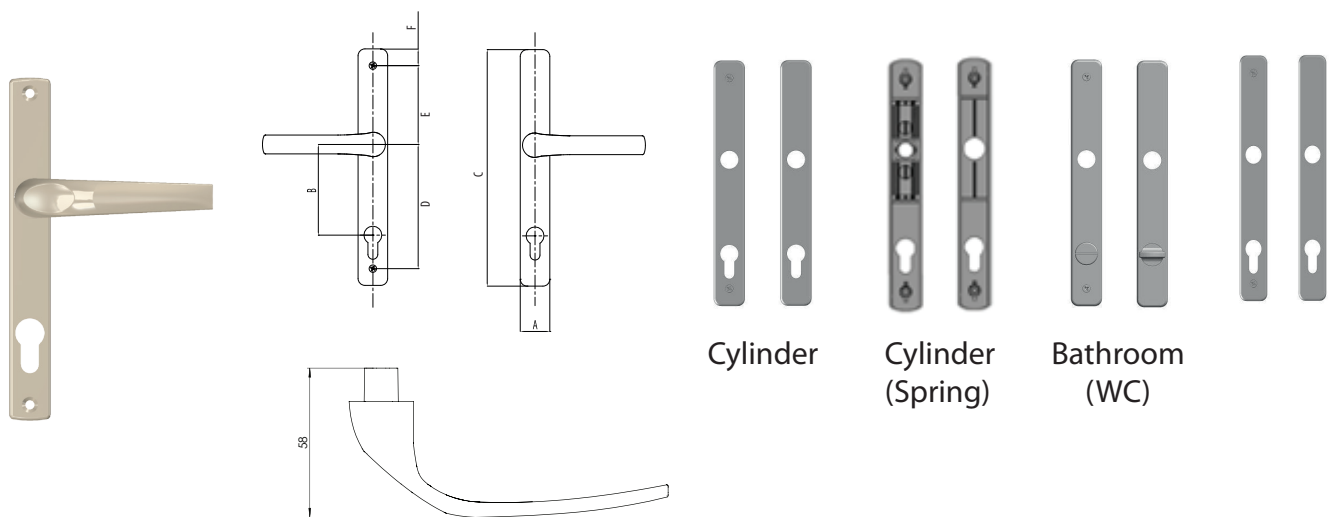


## Aluminium Door Handle - DAMLA (Round Narrow Plate) DAMLA Дверные Нажимные Гарнитур - Овальное



		Spring	A	B	C	Spindle Square	Screw Length(M5)	Spindle Length		
V.1213.AB.XX	+	-	26	70/85/92	215	8	70/80/90	130	2	30
V.1214.A90.XX	-	-	26	90	215	8	70/80/90	130	2	30
V.1213.AB.XX	+	-	30/35	70/85/92	220	8	70/80/90	130	2	30
V.1214.A90.XX	-	-	30/35	90	220	8	70/80/90	130	2	30
V.1215.AB.XX	+	+	30/35	70/85/92	220	8	70/80/90	130	2	30
V.1216.A90.XX	-	+	30/35	90	220	8	70/80/90	130	2	30

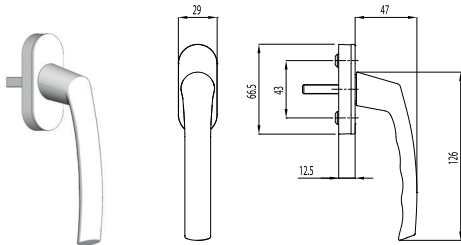
## Aluminium Door Handle - DAMLA (Rectangular Plate) Дверные Нажимные Гарнитур - DAMLA (Квадратное)






		Spring	A	B	C	Spindle Square	Screw Length(M5)	Spindle Length		
V.0215.AB.XX	+	+	26	70/85/92	215	8	70/80/90	130	2	30
V.0216.A90.XX	-	+	26	90	215	8	70/80/90	130	2	30
V.0213.AB.XX	+	-	26	70/85/92	215	8	70/80/90	130	2	30
V.0214.A90.XX	-	-	26	90	215	8	70/80/90	130	2	30
V.0213.AB.XX	+	-	30/35	70/85/92	220	8	70/80/90	130	2	30
V.0214.A90.XX	-	-	30/35	90	220	8	70/80/90	130	2	30
V.0215.AB.XX	+	+	30/35	70/85/92	220	8	70/80/90	130	2	30
V.0216.A90.XX	-	+	30/35	90	220	8	70/80/90	130	2	30

### Window Handle BAŞAK (Oval)

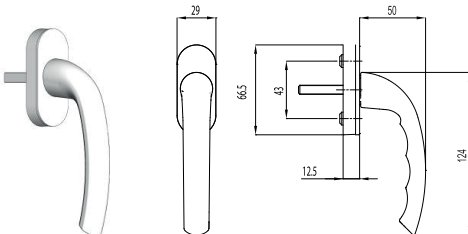
#### Оконная ручка BAŞAK (Овальная)






	Product	Locking Position	Spindle Square	Screw Length(M5)	Spindle Length		
V.012.03.XX	Aluminium	90	7	40/45	35/40/45	2	100
V.012.03M.XX	Aluminium	45	7	40/45	35/40/45	2	100

### Window Handle ARDA (Oval)

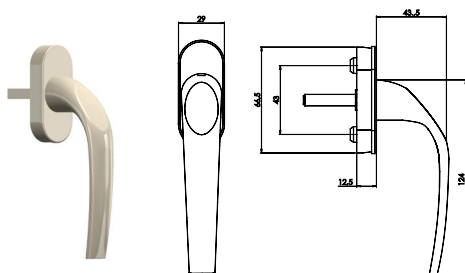
#### Оконная ручка ARDA (Овальная)






	Product	Locking Position	Spindle Square	Screw Length(M5)	Spindle Length		
V.012.02.XX	Plastic (Complete Reinforcement)	90	7	40/45	35/40/45	2	100
V.012.02M.XX	Plastic (Complete Reinforcement)	45	7	40/45	35/40/45	2	100
V.012.04.XX	Aluminium	90	7	40/45	35/40/45	2	100
V.012.04M.XX	Aluminium	45	7	40/45	35/40/45	2	100

### Window Handle DAMLA (Oval)

#### Оконная ручка DAMLA (Овальная)

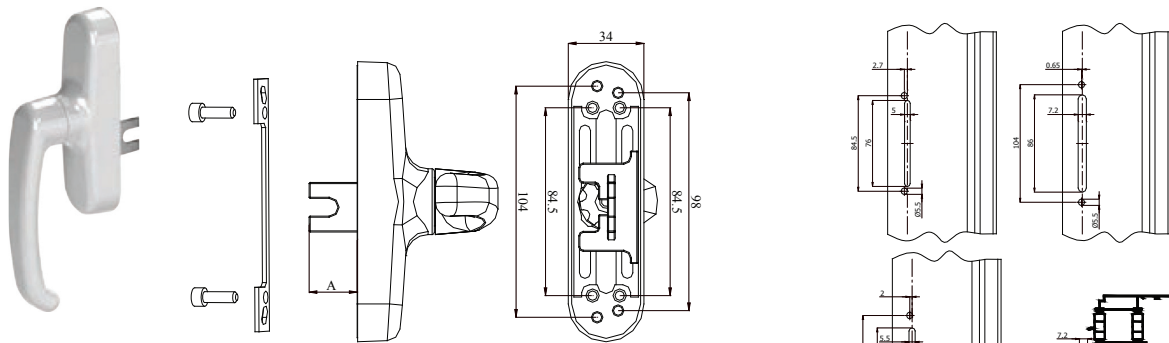


	Product	Locking Position	Spindle Square	Screw Length(M5)	Spindle Length		
V.012.10.XX	Aluminium	90	7	40/45	35/40/45	2	100
V.012.10M.XX	Aluminium	45	7	40/45	35/40/45	2	100

# Window & Door Handles Оконные Ручки и Нажимные Гарнитур

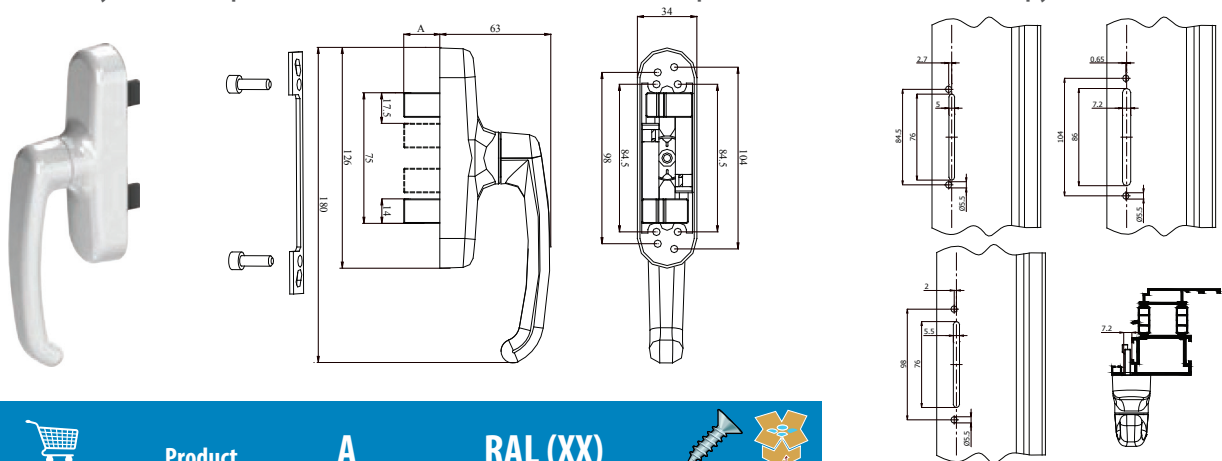


## Turn-only Window Handle for Aluminum Profiles Оконная Ручка Поворотного Механизма на Алюминий (std./наружное)



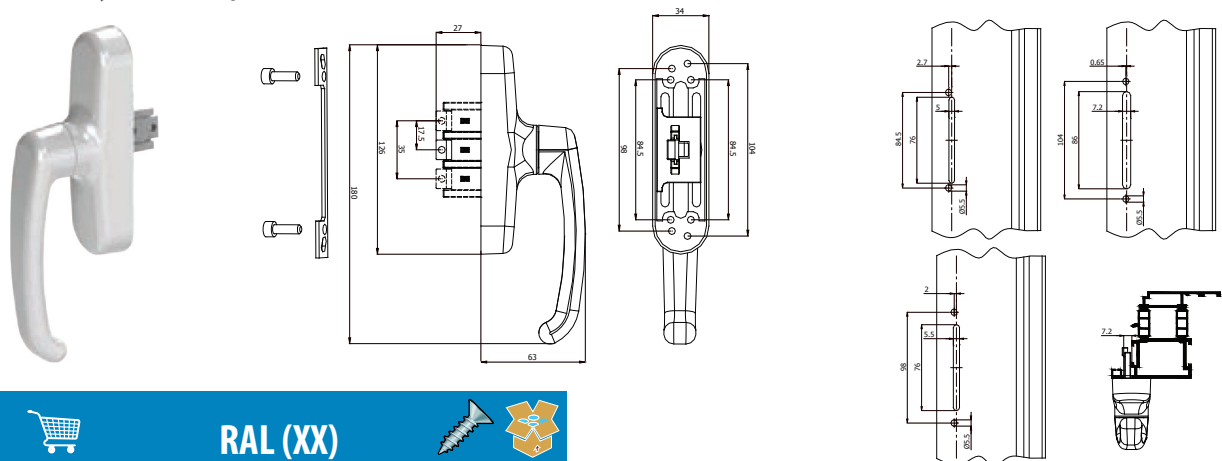
	Product	A	RAL (XX)				
V.020.00.XX	Standard	21	RAL-8017	RAL-9006	RAL-8019	2	50
V.020.01.XX	Exterior	27	RAL-9016	RAL-8022		2	50

## Reversing Turn-only Window Handle for Aluminum Profiles Оконная Ручка Поворотного Механизма на Алюминий Противоположное (std./наружное)



	Product	A	RAL (XX)				
V.020.02.XX	Reverse	21	RAL-8017	RAL-9006	RAL-8019	2	50
V.020.03.XX	Exterior - Reverse	27	RAL-9016	RAL-8022		2	50

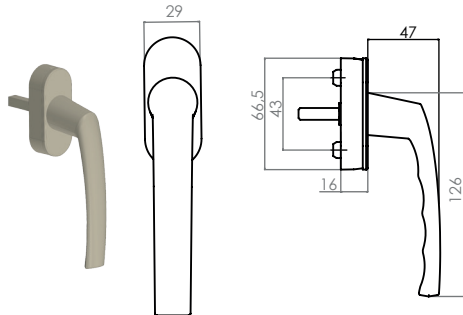
## Tilt & Turn Window Handle for Aluminum Profiles Оконная Ручка Поворотно-Откидного Механизма на Алюминий



	RAL (XX)				
V.020.04.XX	RAL-8017	RAL-9006	RAL-8019	2	50
	RAL-9016	RAL-8022			

### Window Handle BAŞAK ACOUSTIC (Oval)

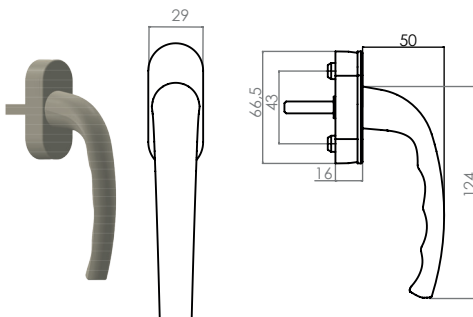
Оконная ручка BAŞAK АКУСТИЧЕСКАЯ (Овальная)



Product		Spindle Square	Screw Length(M5)	Spindle Length	Icons	
V.025.03.XX	Aluminium	7	45/50	40/45/50	2	100

### Window Handle ARDA ACOUSTIC (Oval)

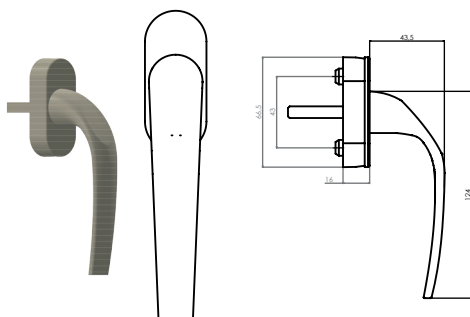
Оконная ручка ARDA АКУСТИЧЕСКАЯ (Овальная)



Product		Spindle Square	Screw Length(M5)	Spindle Length	Icons	
V.025.02.XX	Aluminium	7	45/50	40/45/50	2	100

### Window Handle DAMLA ACOUSTIC (Oval)

Оконная ручка DAMLA АКУСТИЧЕСКАЯ (Овальная)

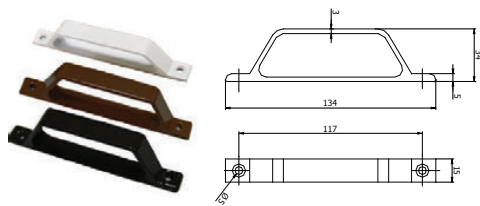


Product		Spindle Square	Screw Length(M5)	Spindle Length	Icons	
V.025.10.XX	Aluminium	7	45/50	40/45/50	2	100

# Window & Door Handles Оконные Ручки и Нажимные Гарнитур

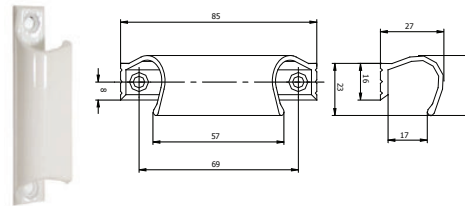


## Aluminium D Handle Ручка Ракушка - D



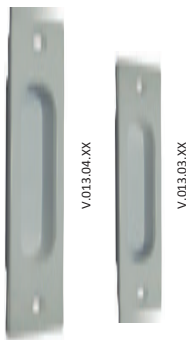
V.013.01.XX	2	100

## Aluminium C Handle Ручка Скобка - C



V.013.02.XX	2	600

## Knop Handle (Small/Large) Ручка Потайная (Маленький/Большой)



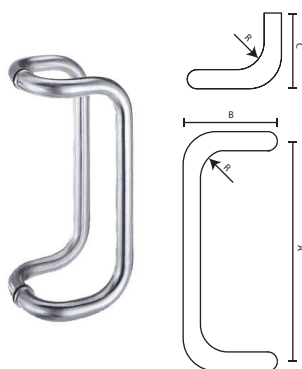
V.013.03.XX	2	100
V.013.04.XX	2	100

## Sliding Handle (Hidden Type) Раздвижная ручка (потайная)



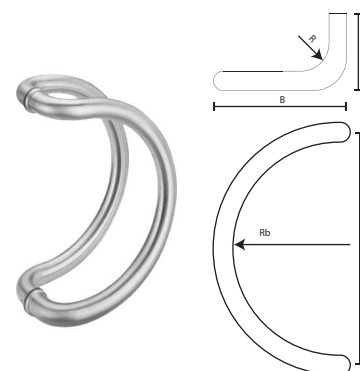
	<b>Product</b>		
V.019.01.XX	Steel	3	50
V.019.02.XX	Zamak	3	50

## Office Type Frizzled Handle Офисная ручка Дуга



	$\emptyset$	A	B	C	R		
V.014.00.XX	20	150	110	70	40	2	20
V.014.01.XX	25	200	130	80	40	2	20
V.014.02.XX	25	300	130	80	40	2	20
V.014.03.XX	25	350	130	80	40	2	20
V.014.04.XX	25	400	130	80	40	2	20
V.014.05.XX	30	300	160	100	55	2	20
V.014.06.XX	30	350	160	100	55	2	20

## Office Type Crescent Moon Handle Офисная ручка полумесяц



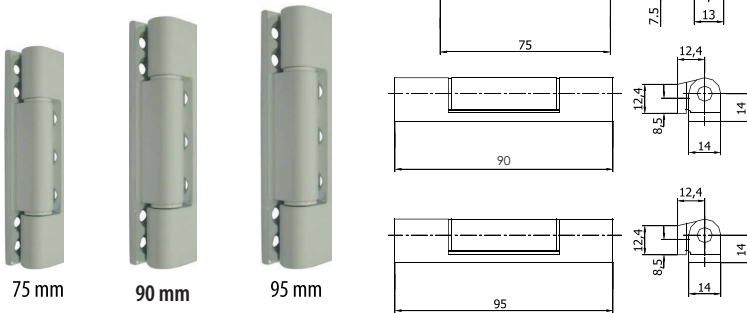
	$\emptyset$	A	B	C	R	Rb		
V.015.01.XX	25	200	150	80	40	100	2	10
V.015.02.XX	25	300	210	80	40	100	2	10
V.015.00.XX	30	300	225	100	55	175	2	10
V.015.03.XX	35	350	250	100	55	175	2	10

## Hinges Петли

- 10.01.00** 2-D Hinges  
2-D Петля
- 10.02.00** 2-D / 3-D Adjustable Door Hinges  
2-D / 3-D Дверная Петля на ПВХ
- 10.03.00** Universal Drilling Jig With Tensioner  
for VHS 3D Door Hinges

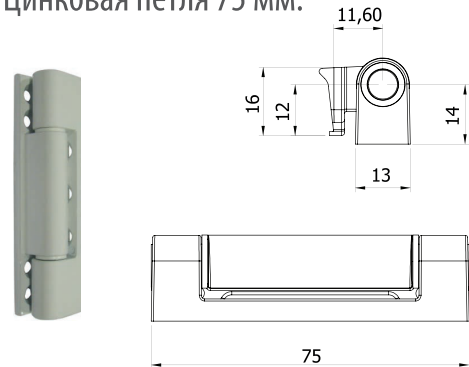


## Zamak Hinge 75 mm, 90 mm and 95 mm Цинковая петля 75-90-95



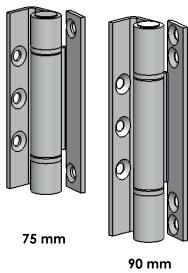
RAL (XX)			
V.001.01.XX / 75 mm	RAL 8003	RAL 8017	200
V.001.02.XX / 95 mm	RAL 8019	RAL 8022	150
V.001.03.XX / 90 mm	RAL 9016	...	200

## Zendow Zamak Hinge 75 mm Цинковая петля 75 мм.

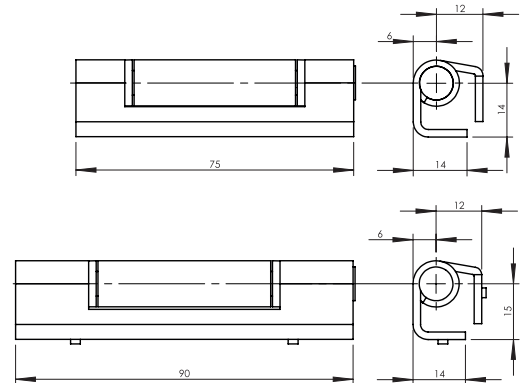


RAL (XX)			
V.001.04.XX	RAL 8003	RAL 8017	200
	RAL 8019	RAL 8022	
	RAL 9016	...	

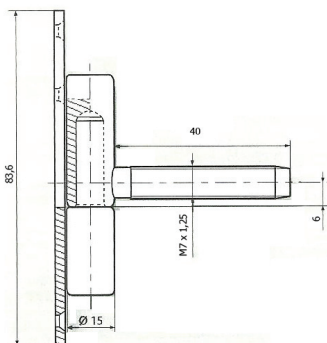
## Steel Hinge 75 mm and 90 mm Сталь Петля 75-90 мм.



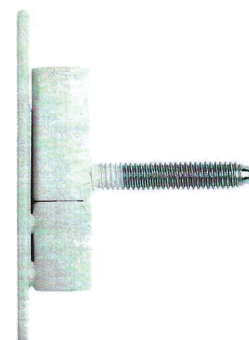
RAL (XX)		
V.001.06.XX	RAL 8003-RAL 8017- RAL 8019-RAL 8022- RAL-9016	200
V.001.07.XX	RAL 8003-RAL 8017- RAL 8019-RAL 8022- RAL-9016	150



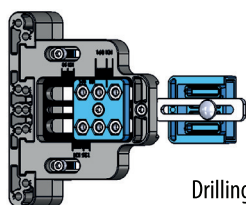
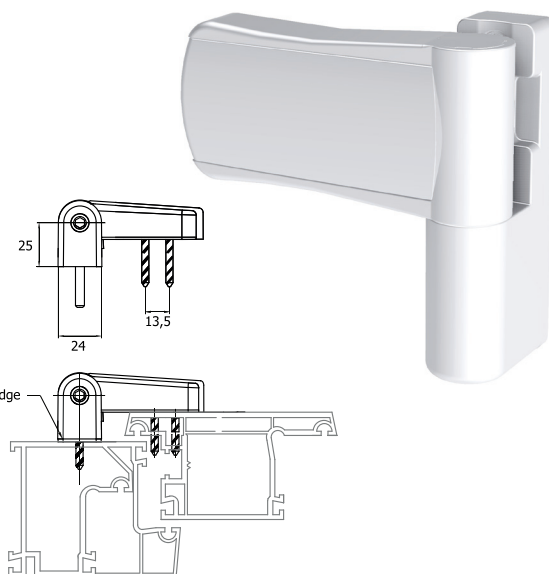
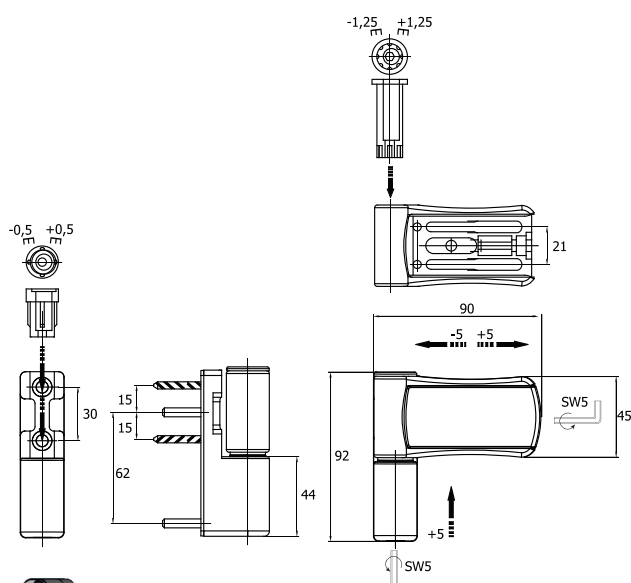
## Steel Hinge Сталь Петля



RAL (XX)			
V.T002.01.XX	RAL 8003	RAL 8017	250
	RAL 8019	RAL 8022	
	RAL 9016	...	



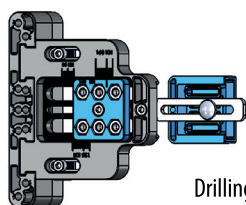
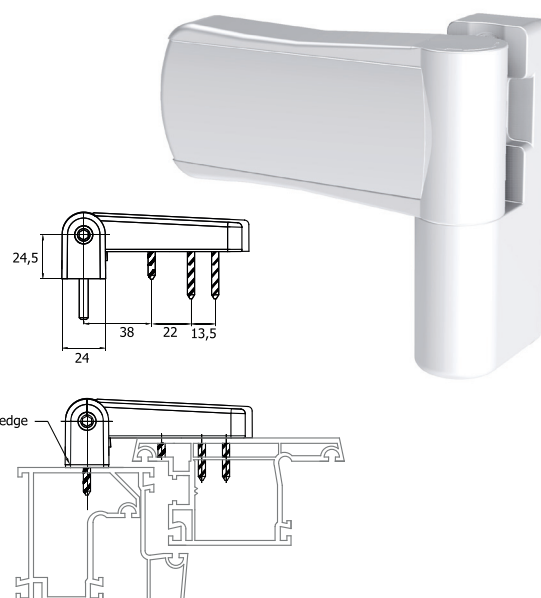
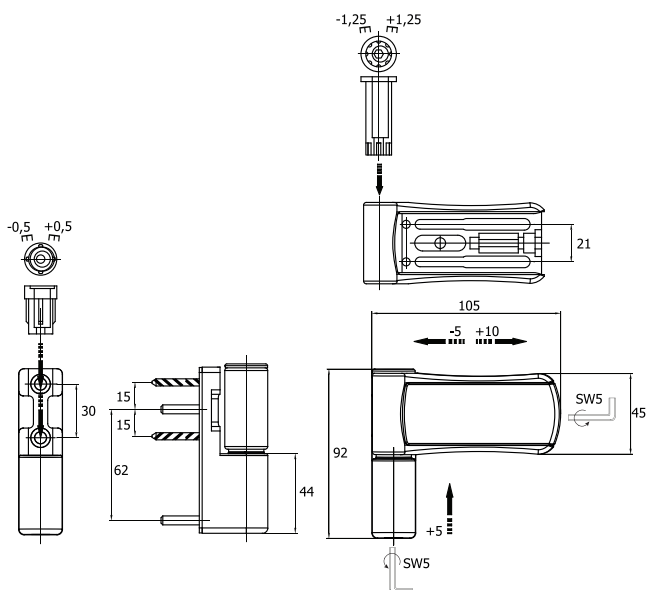
3-D Adjustable Door Hinge (Zamak Body-85 Kg)  
3-D Дверная Петля на ПВХ - 85 Kg



Drilling Jig for Door Hinge

RAL (XX)		24	
V.001.090.XX	RAL 8003 RAL 8019 RAL 9016	RAL 8017 RAL 8022 ...	24

3-D Adjustable Door Hinge (Zamak Body -125 Kg)  
3-D Дверная Петля на ПВХ - 125 Kg

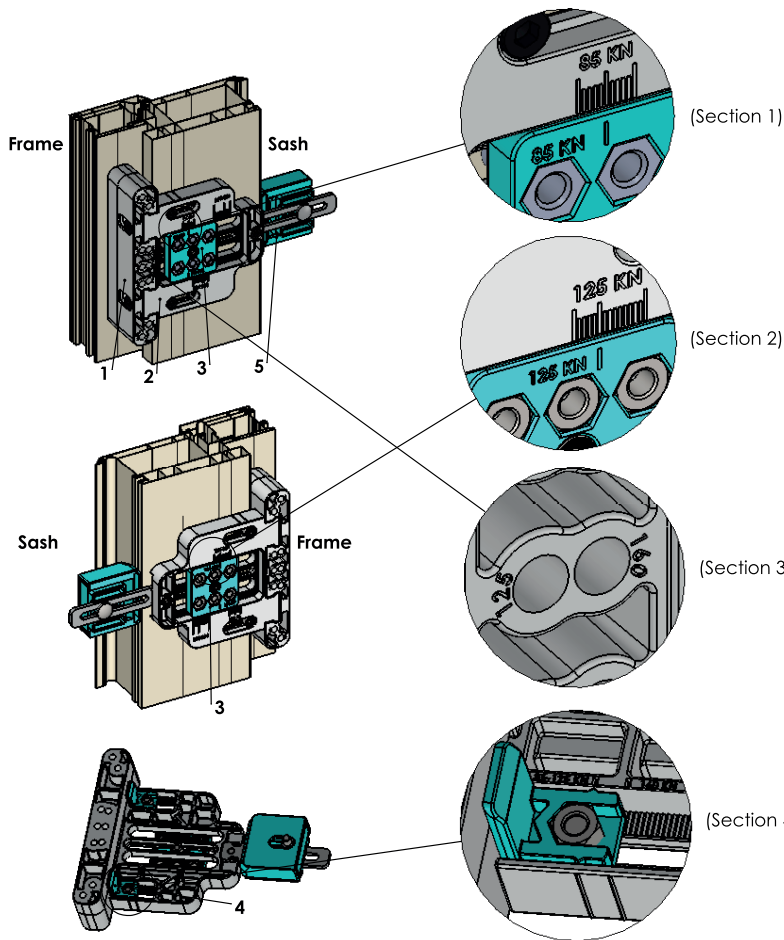


Drilling Jig for Door Hinge

RAL (XX)		24	
V.001.105.XX	RAL 8003 RAL 8019 RAL 9016	RAL 8017 RAL 8022 ...	24







**Adjustment and Regulation Instructions  
for 85kN and 125 kN Hinges**

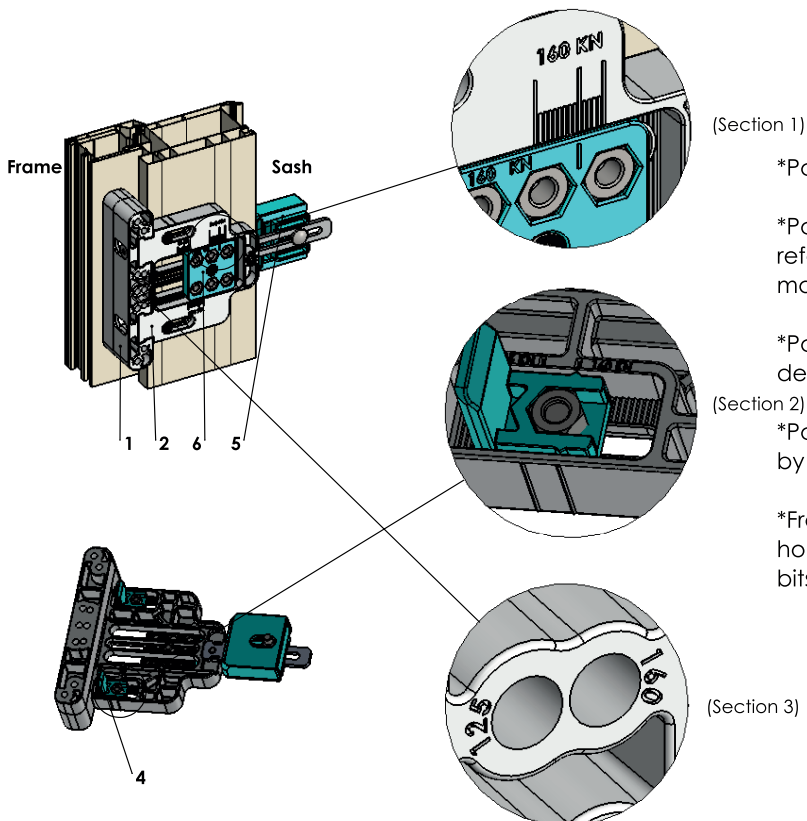
\*Part 3 is aligned and fixed depending on 85 kN or 125 kN hinge selection (section 1 or section 2)

\*Part 4 is aligned and fixed depending on the reference mark on part 2 (section 4-same reference mark for 85 kN and 125 kN hinges)

\*Part 1 is aligned on frame, part 2 is adjusted depending on sash height and fixed

\*Part 5 is adjusted depending on the sash width by loosening the bolt and then fixed again

\*Frame is drilled with Ø5 mm bits (section 3-same drilling hole for 85 kN and 125 kN hinges), sash is drilled with Ø5 mm bits depending on 85 kN or 125 kN hinge selection (section 1 or 2)



**Adjustment and Regulation  
Instructions for 160 kN Hinge**

\*Part 6 is aligned and fixed (section 1)

\*Part 4 is aligned and fixed depending on the reference mark on part 2 (section 2 -reference mark for 160 kN hinge)

\*Part 1 is aligned on frame, part 2 is adjusted depending on sash height and fixed

\*Part 5 is adjusted depending on the sash width by loosening the bolt and then fixed again

\*Frame is drilled with Ø5 mm bits (section 3-drilling hole for 160 kN hinge), sash is drilled with Ø5 mm bits (section 1)



# Mullion Tie Connectors Соединители Импоста

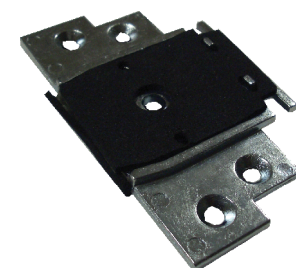
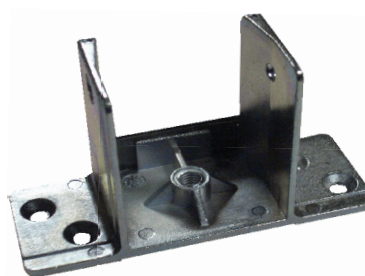
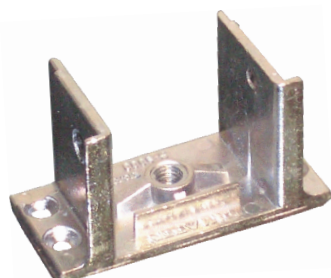
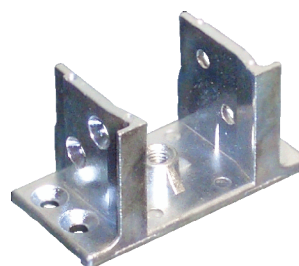
**11.01.00** Mullion Tie Connectors  
Соединители Импоста



# Mullion Tie Connectors Соединители Импоста

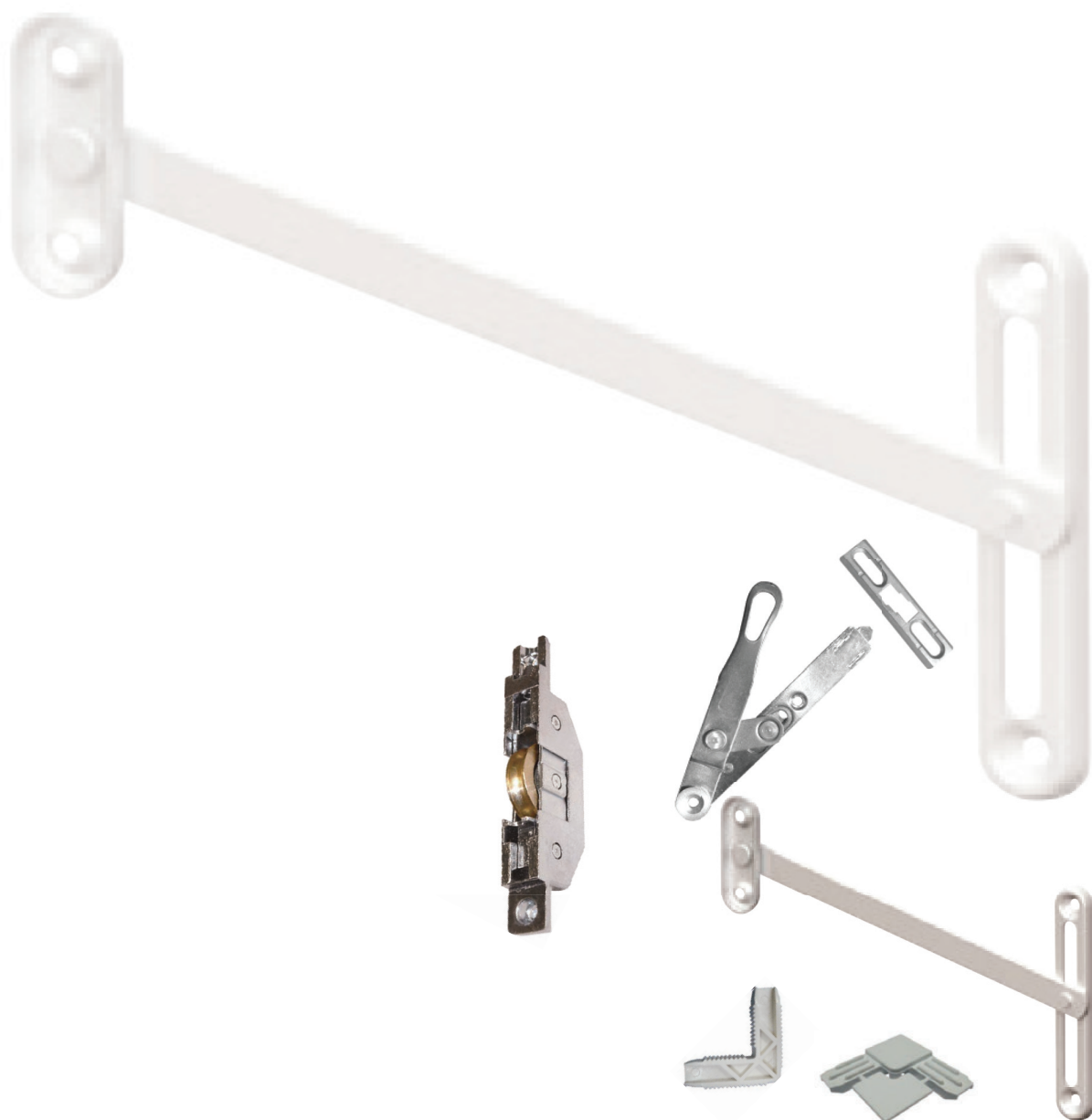


Depending on PVC Window & Door Profile System Series  
Крепления импоста для всех видов профилей

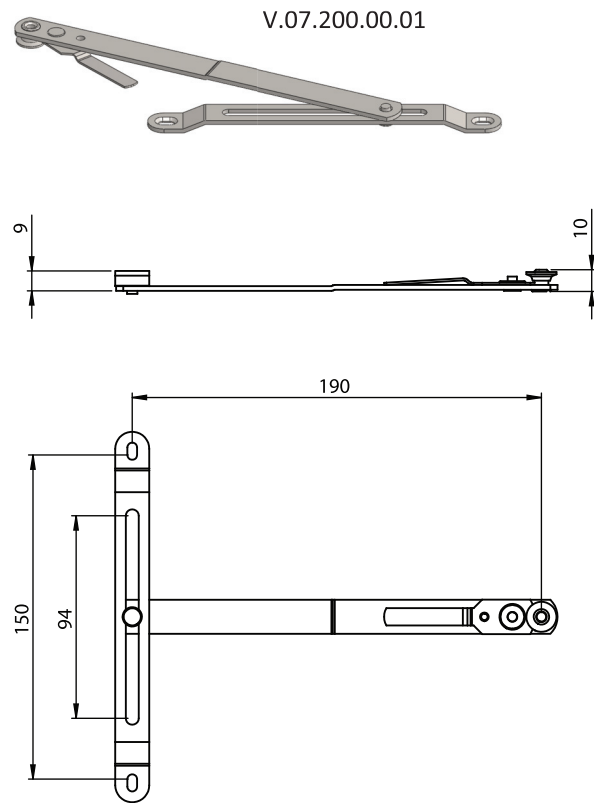
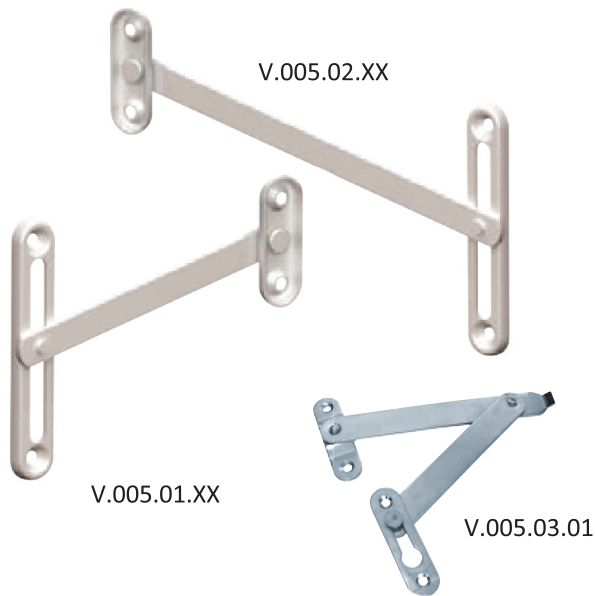


# Window & Door Accessories Дополнительные Аксессуары

## 12.01.00 Window & Door Accessories Дополнительные Аксессуары

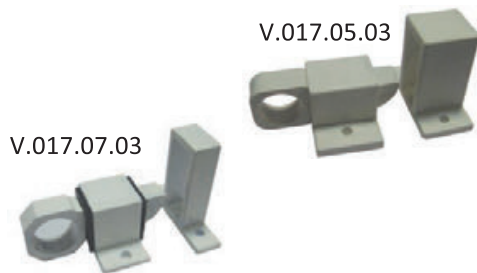


Tilt Stays  
Фрамужная ножница



V.005.01.XX	4	400	
V.005.02.XX	4	300	
V.005.03.01	4	200	
V.07.200.00.01	3	200	

Window Catch  
Пластиковая защелка белая



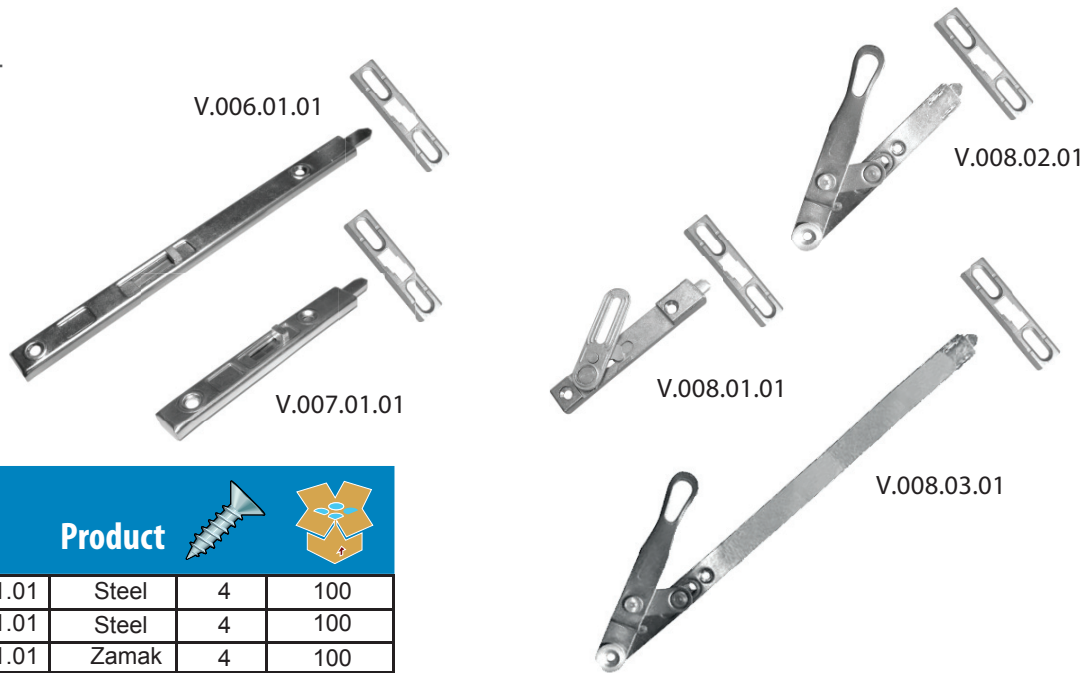
		<b>Product</b>		
V.017.05.XX	4	Plastic	4	600
V.017.07.XX	4	Aluminium	4	50




Clips  
Защелка балконная длинная

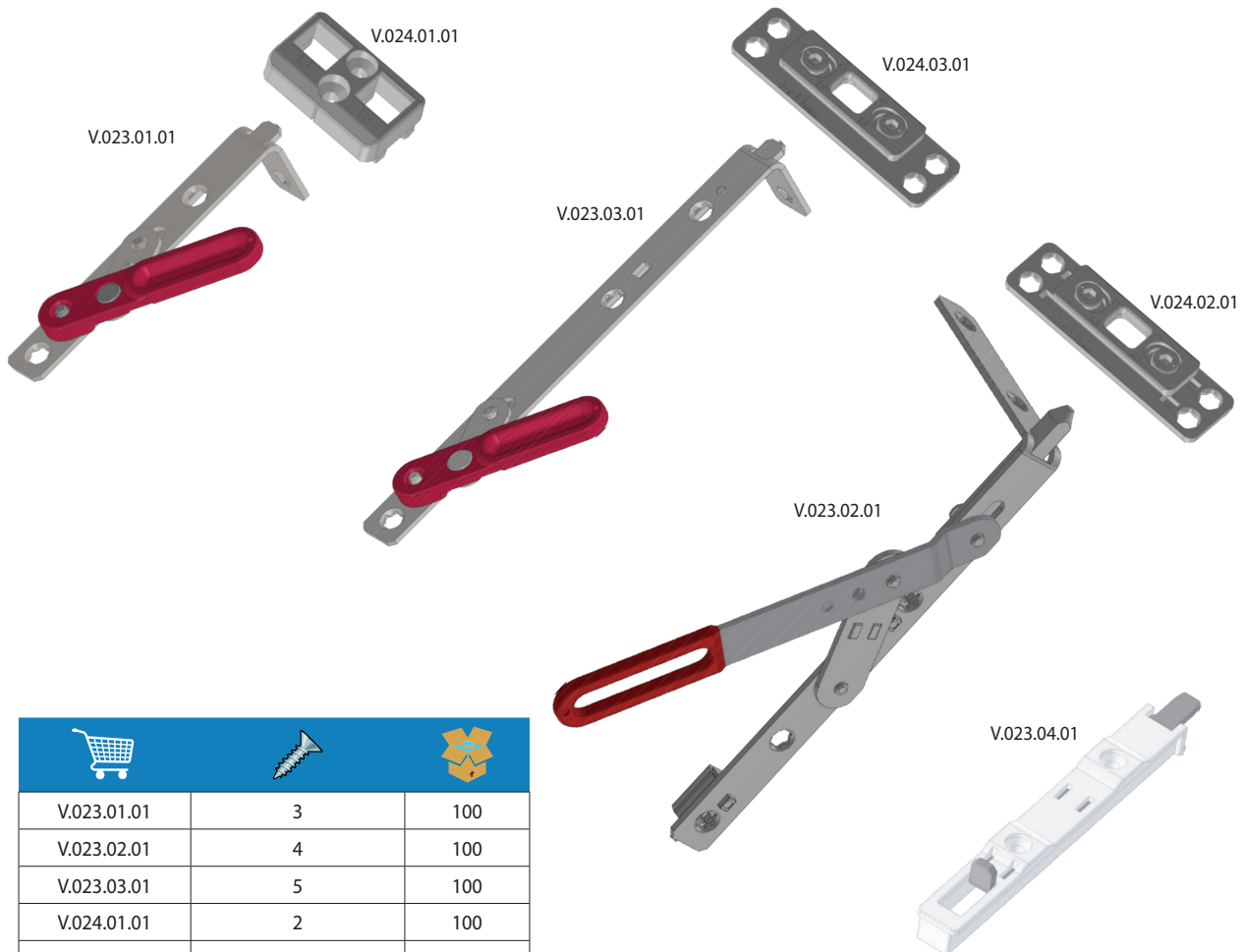





		<b>Axis</b>		
V.018.00.01	-	3	3	200
V.018.01.01	13	3	3	100
V.018.02.01	9	3	3	100
V.018.03.01	13	3	3	100
V.018.04.01	9	3	3	100

Shoot Bolts  
Шпингалет



 <b>Product</b>  			
V.006.01.01	Steel	4	100
V.007.01.01	Steel	4	100
V.008.01.01	Zamak	4	100
V.008.02.01	Steel	4	100
V.008.03.01	Steel	4	100



  		
V.023.01.01	3	100
V.023.02.01	4	100
V.023.03.01	5	100
V.024.01.01	2	100
V.024.02.01	4	100
V.024.03.01	4	100
V.023.04.01	2	100



Montage Cover  
Монтажная пробка



V.017.01.03



V.017.01.04



V.017.01.05

V.017.01.XX	-	1000

Water Drain Slot  
Дренажная пробка



V.017.02.03



V.017.02.08

V.017.02.XX	-	1000

Sash Lifter Support  
Подкладки для припод. створки



V.017.04.03



V.017.03.03

V.017.03.XX	-	1000
V.017.04.XX	1	1000

Glass Holder (Plastic)  
Лопатка для припод. стеклопакета



V.017.12.03



V.017.13.00



V.017.14.00

V.017.12.03	20
V.017.14.00	20
V.017.13.00	20

Leakage Stopper  
Фиксирующая Деталь



V.017.11.XX	2	1000

Double Glazing Support  
Подкладка для Стеклопакета



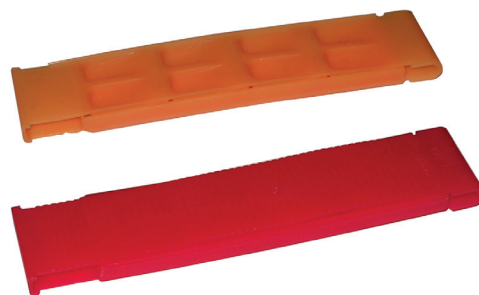
	<b>Product</b>		
V.017.08.01	15x20x80	-	1000
V.017.08.02	30x20x80	-	1000
V.017.08.03	50x20x80	-	1000

Adjustable Glass Wedge  
Регул. подпорки под стеклопакеты



	<b>A</b>	
V.017.09.01	18 mm	500
V.017.09.02	24 mm	400
V.017.09.03	28 mm	350
V.017.09.04	32 mm	300
V.017.09.05	42mm	250

Adjustable Glass Wedge  
Регул. подпорки под стеклопакеты



	<b>Product</b>	
V.017.10.01	Plain 32 mm	200
V.017.10.02	Angled 32 mm	200

Sliding Roller Small (One Plastic Wheel)  
Ролик для Раздвижки Маленький Пластиковый



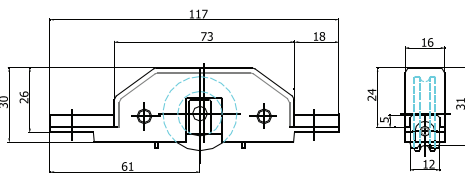
V.009.04.01	2	250

Sliding Roller Small (One Brass Wheel)  
Ролик для Раздвижки Маленький Латунь



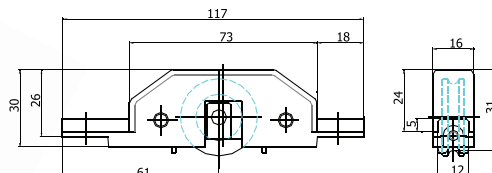
V.TES003	2	250

Sliding Roller Big (One Plastic Wheel)  
Ролик для Раздвижки Большой Пластиковый



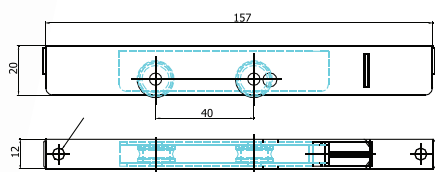
V.TS023	2	250

Sliding Roller Big (One Brass Wheel)  
Ролик для Раздвижки Большой Латунь



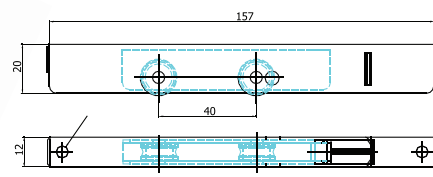
V.TS024	2	250

Adjustable Sliding Roller (Two Plastic Wheels)  
Регулируемый Ролик для Раздвижки Двойной Пластиковый



V.TS019	2	170

Adjustable Sliding Roller (Two Brass Wheels)  
Регулируемый Ролик для Раздвижки Двойной Латунь



V.TS020	2	170

Adjustable Sliding Roller (One Plastic Wheel)  
Регулируемый Ролик для Раздвижки Пластиковый



V.TS021	2	120

Adjustable Sliding Roller (One Brass Wheel)  
Регулируемый Ролик для Раздвижки Двойной Латунь



V.TS022	2	120

## Window & Door Accessories Дополнительные Аксессуары



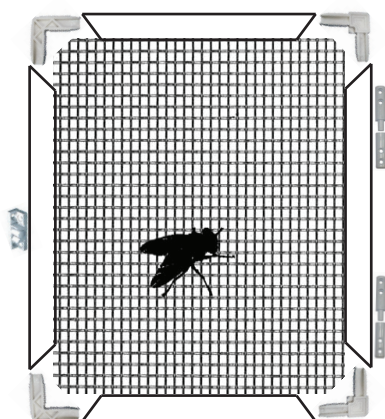
Silicone, Acrylic & Other Sealants - Adhesives and Polyurethane Foam  
Силиконовые, акриловые и другие герметики - клеи и полиуретановые пены



## Screws & Fasteners Саморезы и крепежные



## Flyscreen Accesories Москитные Аксессуары







[www.vhs.com.tr](http://www.vhs.com.tr)



**VHS PLASTİK METAL SAN. TİC. A.Ş.**

Ortaköy Merkez Mahallesi Dumlupınar Cad. No: 48

Silivri / İstanbul / TURKEY

T. +90 212 734 38 55 (3 Lines) +90 212 744 7 847 (VHS)

F. +90 212 734 38 58

